

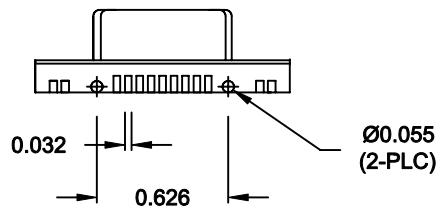
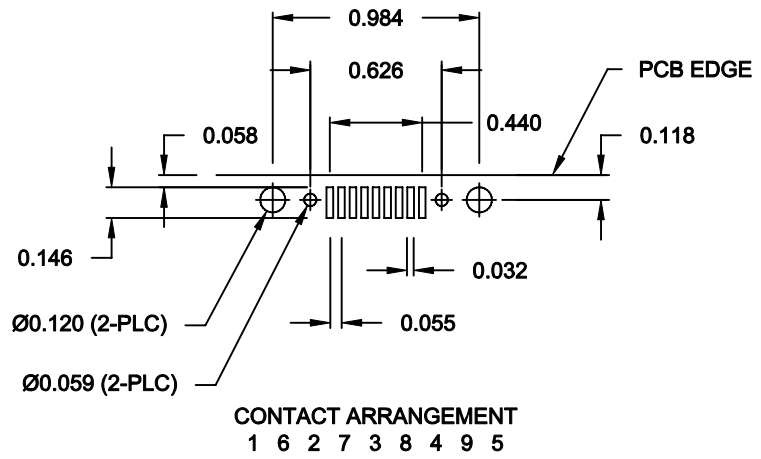
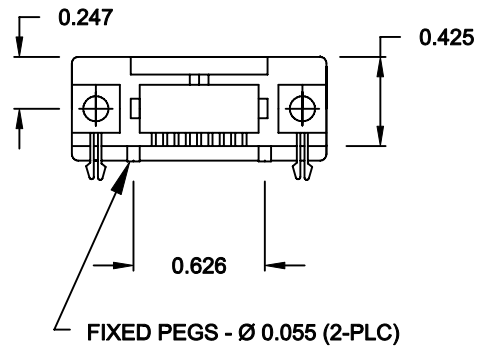
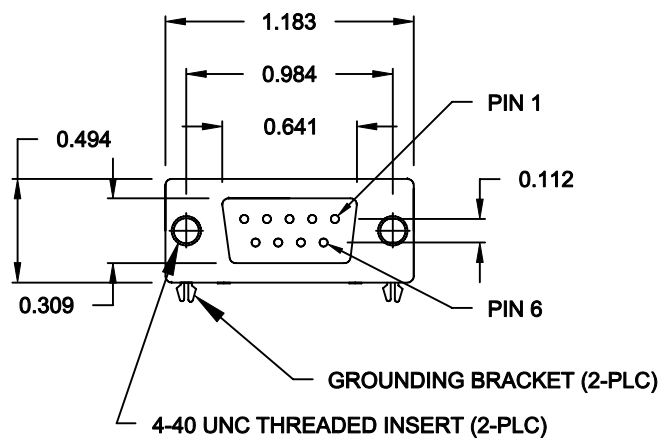
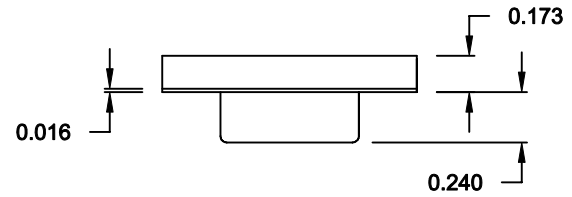
DESCRIPTION: 9 POS FEMALE SURFACE MOUNT

MATERIAL/FINISH:

SHELL: STEEL, NICKEL PLATED
 BRACKET: BRASS, NICKEL PLATED
 INSULATOR: NYLON 6T-UL 94V-0, BLACK, (TEMP. RESISTANCE 250° C FOR 60 SEC.)
 Pc99 COLORFUL INSULATOR: PATONE #322C
 CONTACT: PHOSPHOR BRONZE, TIN PLATED
 GOLD FLASH - MATING AREA
 TIN - TERMINATING AREA

SPECIFICATIONS:

RATED CURRENT: 5 AMPS
 RATED VOLTAGE: 300VDC
 WITHSTANDING VOLTAGE: 500VAC (rms) FOR 1 MINUTE
 INSULATION RESISTANCE: MORE THAN 1,000mOhms AT 500VDC
 CONTACT RESISTANCE: 13mOhms Max.
 DIELECTRIC STRENGTH: 1,000VAC FOR 1 MINUTE
 OPERATING TEMPERATURE: -55° ~ +105° C



TOLERANCE
 0.0 = ±0.010
 0.00 = ±0.006
 0.000 = ±0.003
 ANGLES = ±1°

	THESE DRAWINGS AND SPECIFICATIONS ARE THE PROPERTY OF NorComp AND SHALL NOT BE REPRODUCED, COPIED OR USED AS THE BASIS FOR THE MANUFACTURE OR SALE OF APPARATUS WITHOUT WRITTEN PERMISSION.		DRAWN: PAM JENKINS	DATE: 11-22-05
	<h1>NorComp</h1>		CHECKED:	DATE:
SCALE:			SHEET 1 OF 1	REV 5
			DWG NO. 190-009-263R001	

RoHS COMPLIANT