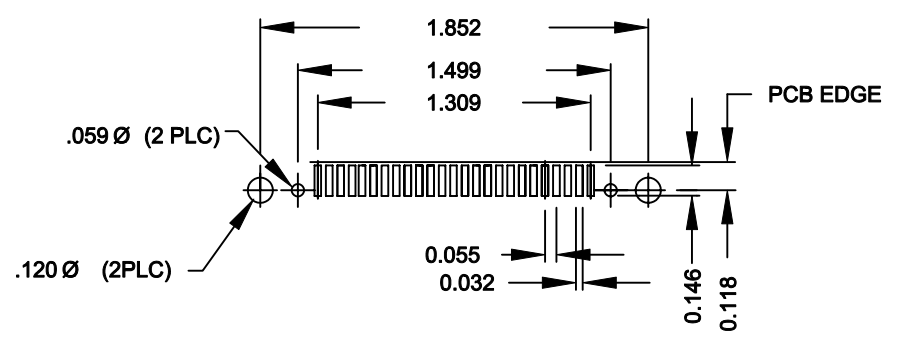
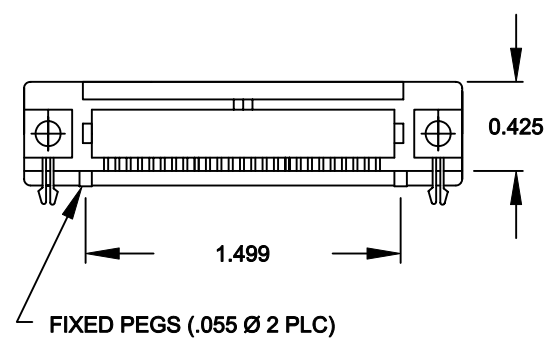
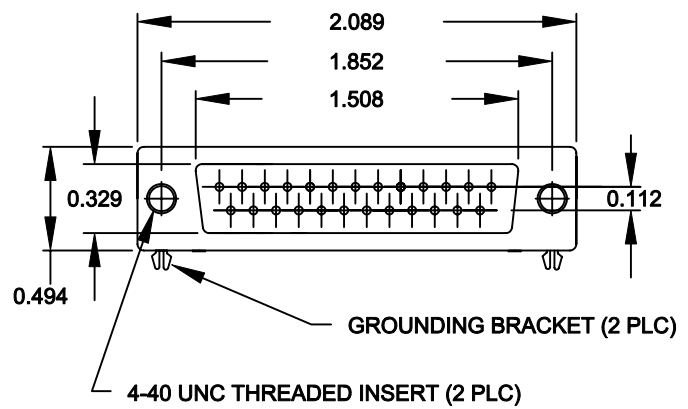
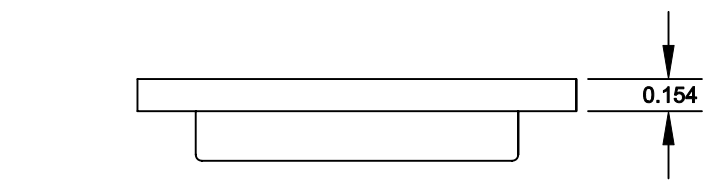


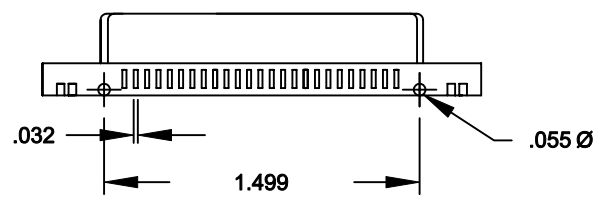
**DESCRIPTION: 25 POS FEMALE SURFACE MOUNT**

**MATERIAL/FINISH:**  
 SHELL: STEEL ZINC OR TIN PLATED  
 BRACKET: BRASS, NICKEL PLATED  
 INSULATOR: NYLON 6T - UL 94V-O, BLACK  
 (TEMPERATURE RESISTANCE 250°C FOR 60 SECS.)  
 Pc 99 COLORFUL INSULATOR: PATONE #322C  
 CONTACT: PHOSPHOR BRONZE  
 GOLD FLASH (MATING AREA) - TIN/LEAD (TERMINATING AREA)

**SPECIFICATIONS:**  
 RATED CURRENT: 5A  
 RATED VOLTAGE: 300V DC  
 WITHSTANDING VOLTAGE: 500V (rms) AC FOR 1 MINUTE  
 INSULATION RESISTANCE: MORE THAN 1000M ohm AT 500V DC  
 CONTACT RESISTANCE: 13m ohms MAX.  
 DIELECTRIC STRENGTH: 1000V AC FOR 1 MINUTE



**CONTACT ARRANGEMENT**  
 1 14 2 15 3 16 4 17 5 18 6 19 7 20 8 21 9 22 10 23 11 24 12 25 13  
**RECOMMENDED PCB LAYOUT**



	THESE DRAWINGS AND SPECIFICATIONS ARE THE PROPERTY OF NorComp AND SHALL NOT BE REPRODUCED, COPIED OR USED AS THE BASIS FOR THE MANUFACTURE OR SALE OF APPARATUS WITHOUT WRITTEN PERMISSION.		DRAWN: PAM JENKINS	DATE: 8-21-02
			CHECKED:	DATE:
<h1>NorComp</h1>		SCALE:	SHEET 1 OF 1	REV 2
		DWG NO. 190-025-262-001		