

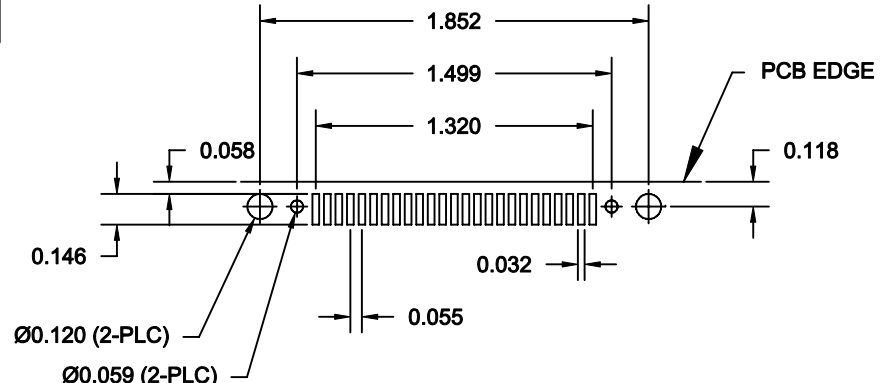
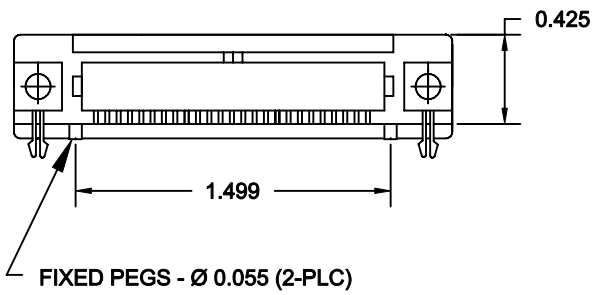
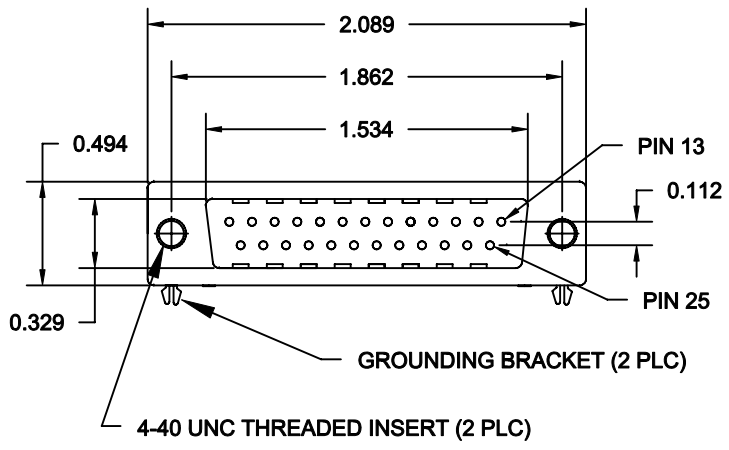
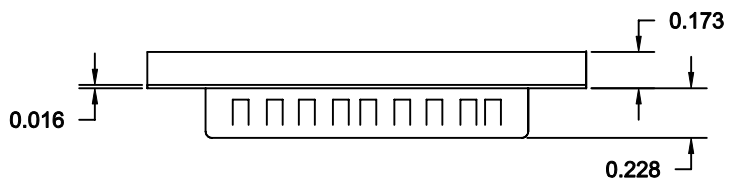
DESCRIPTION: 25 POS MALE SURFACE MOUNT

MATERIAL/FINISH:

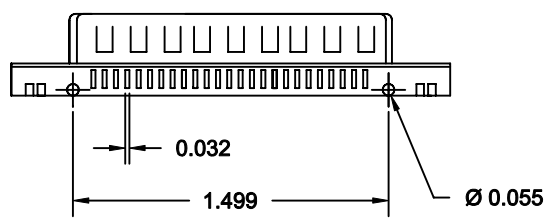
SHELL: STEEL, NICKEL PLATED
 BRACKET: BRASS, NICKEL PLATED
 INSULATOR: NYLON 6T-UL 94V-0, BLACK, (TEMP. RESISTANCE 250° C FOR 60 SEC.)
 Pc99 COLORFUL INSULATOR: PATONE #322C
 CONTACT: PHOSPHOR BRONZE, TIN PLATED
 GOLD FLASH - MATING AREA
 TIN - TERMINATING AREA

SPECIFICATIONS:

RATED CURRENT: 5 AMPS
 RATED VOLTAGE: 300VDC
 WITHSTANDING VOLTAGE: 500VAC (rms) FOR 1 MINUTE
 INSULATION RESISTANCE: MORE THAN 1,000mOhms AT 500VDC
 CONTACT RESISTANCE: 13mOhms Max.
 DIELECTRIC STRENGTH: 1,000VAC FOR 1 MINUTE
 OPERATING TEMPERATURE: -55° ~ +105° C



CONTACT ARRANGEMENT
 13 25 12 24 11 23 10 22 9 21 8 20 7 19 6 18 5 17 4 16 3 15 2 14 1
RECOMMENDED PCB LAYOUT



TOLERANCE
 0.0 = ±0.010
 0.00 = ±0.006
 0.000 = ±0.003
 ANGLES = ±1°

RoHS COMPLIANT

	THESE DRAWINGS AND SPECIFICATIONS ARE THE PROPERTY OF NorComp AND SHALL NOT BE REPRODUCED, COPIED OR USED AS THE BASIS FOR THE MANUFACTURE OR SALE OF APPARATUS WITHOUT WRITTEN PERMISSION.		DRAWN: PAM JENKINS	DATE: 11-22-05
			CHECKED:	DATE:
NorComp		SCALE:	SHEET 1 OF 1	REV 4
		DWG NO. 190-025-163R001		