

LOC	DIST	REVISIONS					
J		P	LTR	DESCRIPTION	DATE	DWN	APVD
		B	REVISED	FJBO-0440-03	16DEC03	H.T	Y.Y

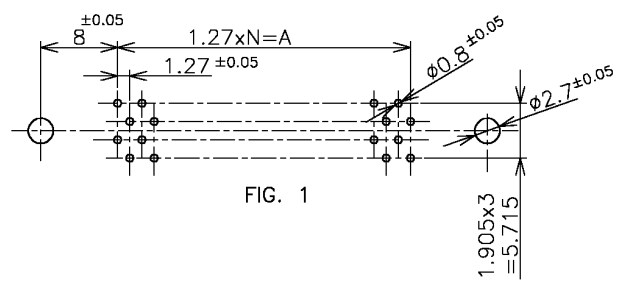
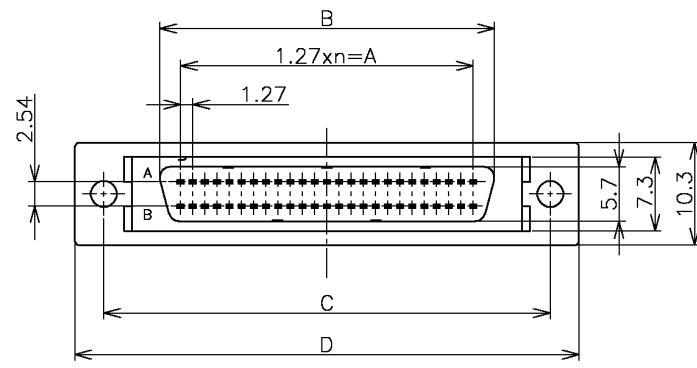
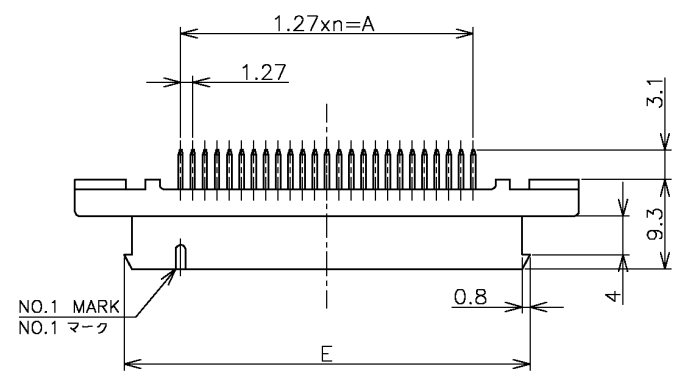


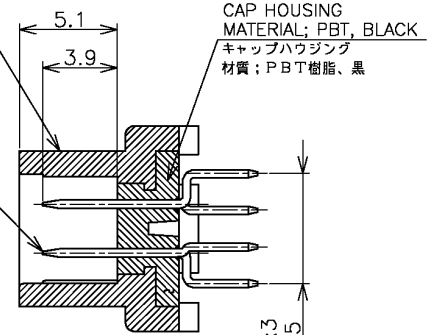
FIG. 1

- |                            |   |
|----------------------------|---|
| 1 基板パターン寸法図はFIG.1に示す通り。    | 1 P.C BOARD HOLE LAY-OUT AS SHOWN FIG.1 |
| 2 適用ねじはM2.5x0.45 のなべ小ねじ。   | 2 USED SCREW; M2.5x0.45 PANHEAD SCREW.  |
| 3 かん合相手コネクタ:<br>X-174340-X | 3 CONNECTOR TO BE MATED;<br>X-174340-X  |

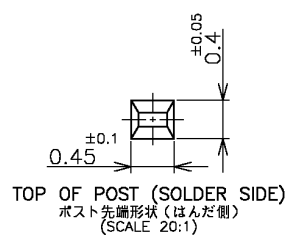
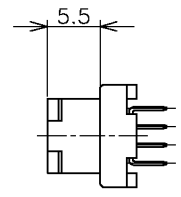
CAP SHIELD MATERIAL; ZINC FINISH; NICKEL OVER COPPER  
 キャップシールド 材質: 亜鉛ダイカスト 仕上: 銅下地/Niめっき

POST CONT- PHOS BRONZE DUPLEX PLATED 0.0002 OR 0.00076 MIN. GOLD ON CONTACT AREA TIN ON SOLDER TINE AREA WITH ENTIRE CONT UNDERPLATED NICKEL  
 ポストコンタクト 材質: 燐青銅 仕上: Ni下地、接触部: 0.0002 OR 0.00076 金めっき タイン部: すずめっき

CAP HOUSING MATERIAL; PBT, BLACK  
 キャップハウジング 材質: PBT樹脂、黒



(SCALE 4:1)



TOP OF POST (SOLDER SIDE)  
 ポスト先端形状 (はんだ側)  
 (SCALE 20:1)

鉛フリー  
 LEAD FREE

GENERAL TOLERANCE 一般公差	68	33	41.91	46.28	57.9	63.9	53.71	0.00076	2-174339-5
10 ≥ ±0.2	50	24	30.48	34.85	46.5	52.5	42.28	MIN	2-174339-4
30 ≥ > 10: ±0.25	68	33	41.91	46.28	57.9	63.9	53.71	0.0002	174339-5
100 ≥ > 30: ±0.3	50	24	30.48	34.85	46.5	52.5	42.28	MIN	174339-4
ANGLES: ±3°	POS	N	A	B	C	D	E	GOLD THK	PART NO.

THIS DRAWING IS A CONTROLLED DOCUMENT.		DWN H.TAGUCHI 16DEC03	<b>tyco</b> <b>Electronics</b>	Tyco Electronics AMP K.K. Kawasaki, Japan	
DIMENSIONS: MM		CHK T.FUTATSUGI 16DEC03		NAME CAP HEADER (VERTICAL/M2.5) AMPLIMITE .050 SERIES II CONN. TYPE B	
TOLERANCES UNLESS OTHERWISE SPECIFIED:		APVD H.KODAMA 16DEC03	SIZE A3		
0 PLC ±		DRAWING NO C=174339			
1 PLC ±		CAGE CODE 00779			
2 PLC ±		RESTRICTED			
3 PLC ±		SCALE 2:1			
4 PLC ±		SHEET 1 OF 1			
MATERIAL SEE ABOVE		FINISH SEE ABOVE			
CUSTOMER DRAWING		REV B			