

LOC		DIST		REVISONS		DATE	DWN	APVD
P	LTR	P	LTR	DESCRIPTION				
B1		B1		REVISED ECR-07-014069		03JUL07	T.Z	S.Y

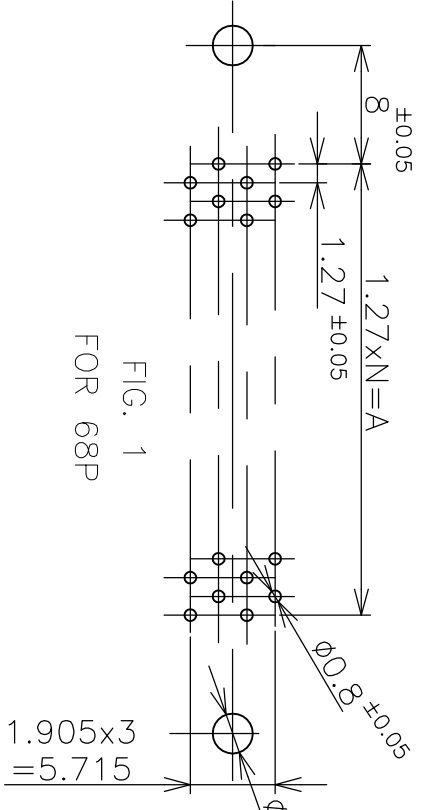
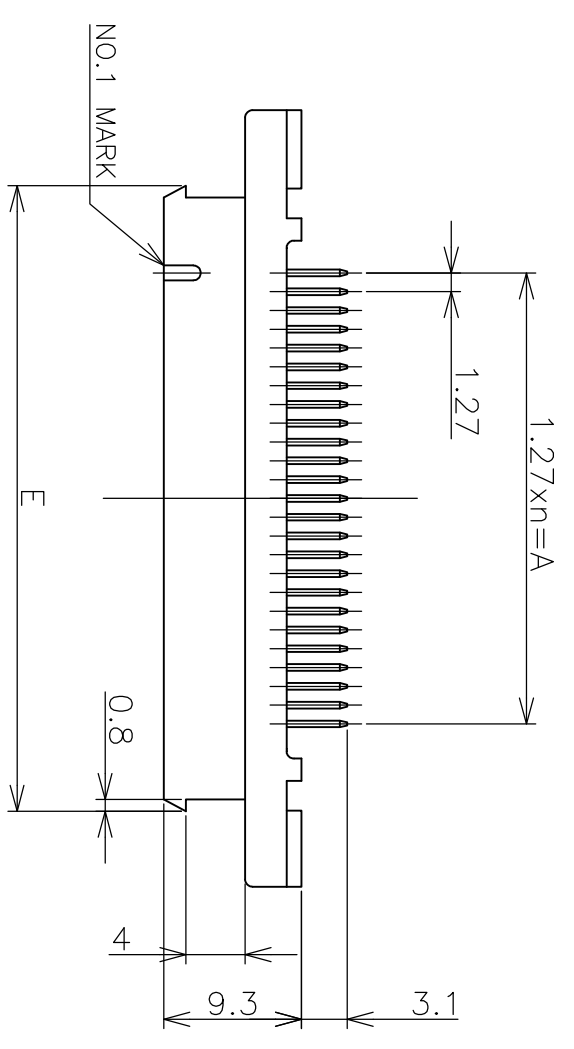


FIG. 1
FOR 68P

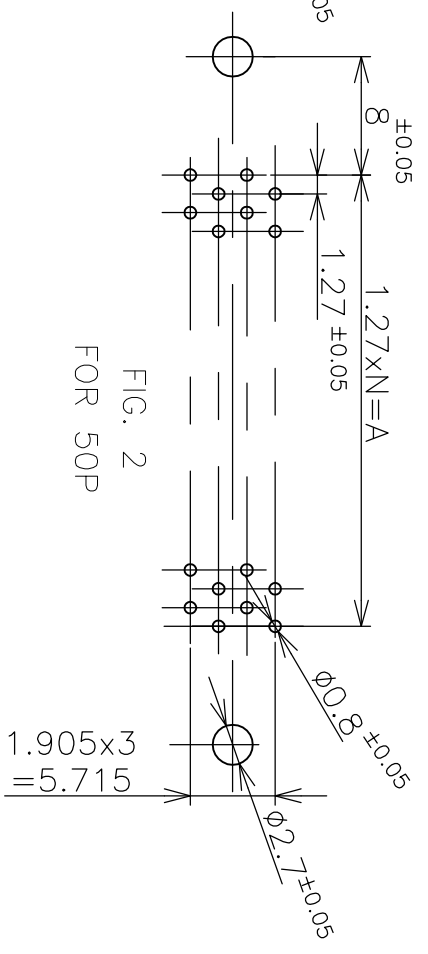
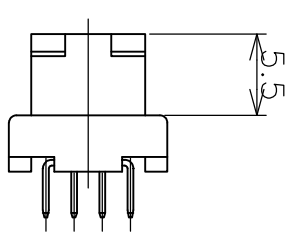
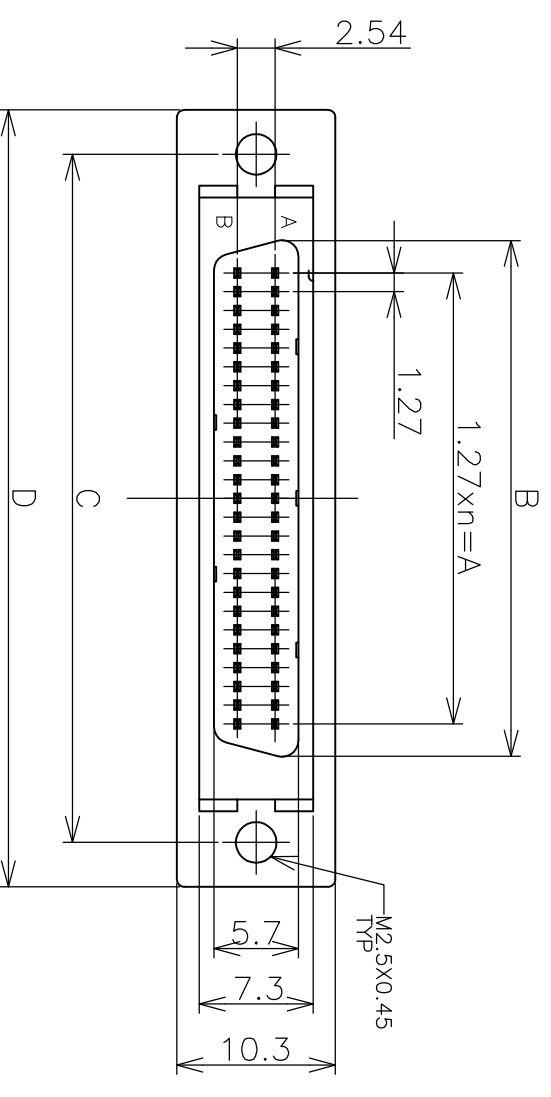
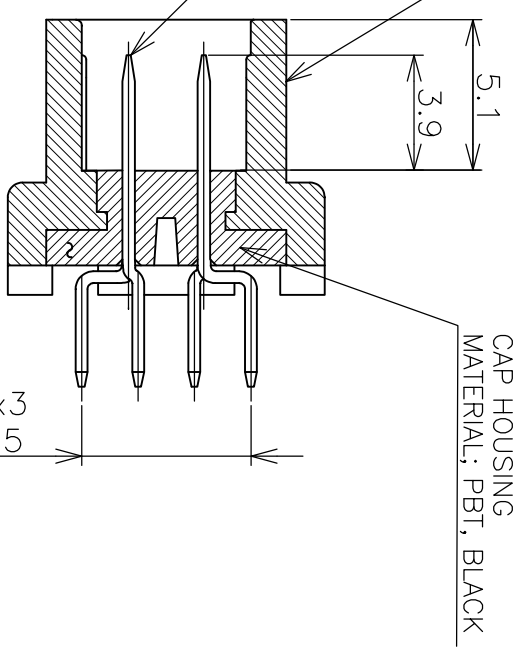


FIG. 2
FOR 50P

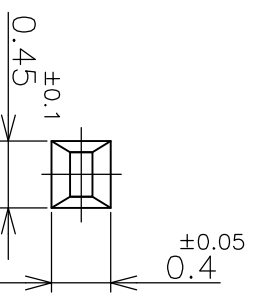


POST CONT-PHOS BRONZE
 DUPLEX PLATED 0.0002 OR 0.00076 MIN.
 GOLD ON CONTACT AREA
 TIN ON SOLDER TINE AREA
 WITH ENTIRE CONT UNDERPLATED NICKEL



(SCALE 4:1)

TOP OF POST (SOLDER SIDE)
 (SCALE 20:1)



GENERAL TOLERANCE	10 ≥: ±0.2	30 > 10: ±0.25	100 ≥ > 30: ±0.3	ANGLES: ±3°	POS	N	A	B	C	D	E	GOLD THK	PART NO.
68	33	41.91	46.28	57.9	63.9	53.71	0.00076	2-5174339-5					
50	24	30.48	34.85	46.5	52.5	42.28	MIN	2-5174339-4					
68	33	41.91	46.28	57.9	63.9	53.71	0.0002	5174339-5					
50	24	30.48	34.85	46.5	52.5	42.28	MIN	5174339-4					

THIS DRAWING IS A CONTROLLED DOCUMENT.

DIMENSIONS: mm
 TOLERANCES UNLESS OTHERWISE SPECIFIED:

0 PLC	±
1 PLC	±
2 PLC	±
3 PLC	±
4 PLC	±

FINISH
 SEE ABOVE

DWN Roy hao 17Aug04
 CHK Steven Yao 17Aug04
 APVD I. Enomoto 17Aug04
 PRODUCT SPEC 108-60037-1
 APPLICATION SPEC

NAME Tyco Electronics
 Tyco Electronics AMP K.K.
 Kawasaki, Japan

NAME CAP HEADER (VERTICAL/M2.5)
 AMPLIMITE .050 SERIES II CONN.
 TYPE B

SIZE A3
 CAGE CODE 00779
 DRAWING NO. 5174339

WEIGHT
 CUSTOMER DRAWING

RESTRICTED TO

SCALE 1:1 SHEET 1 OF 1 REV B1

- 1 P.C BOARD HOLE LAY-OUT AS SHOWN FIG. 1 & 2.
- 2 USED SCREW; M2.5x0.45 PANHEAD SCREW.