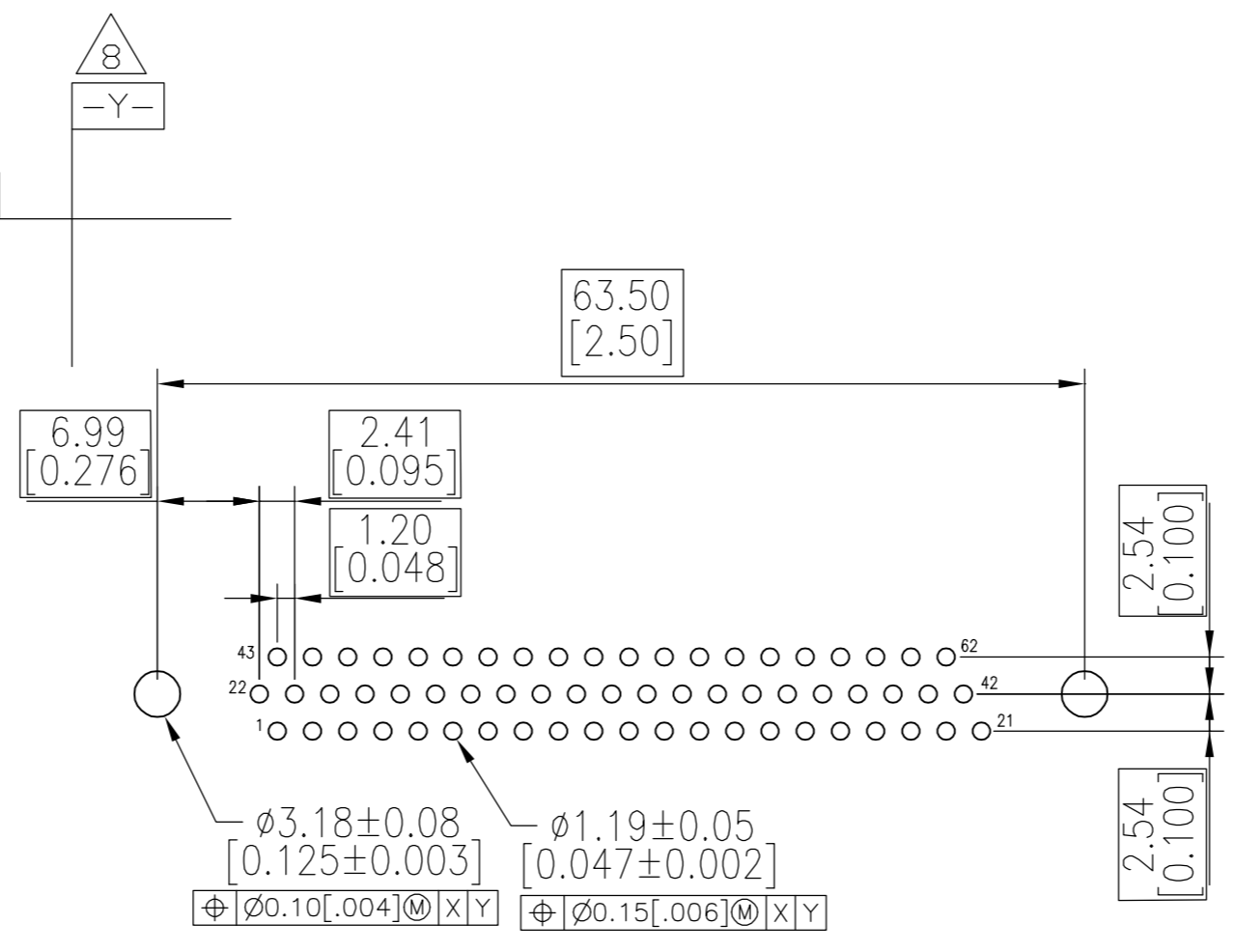
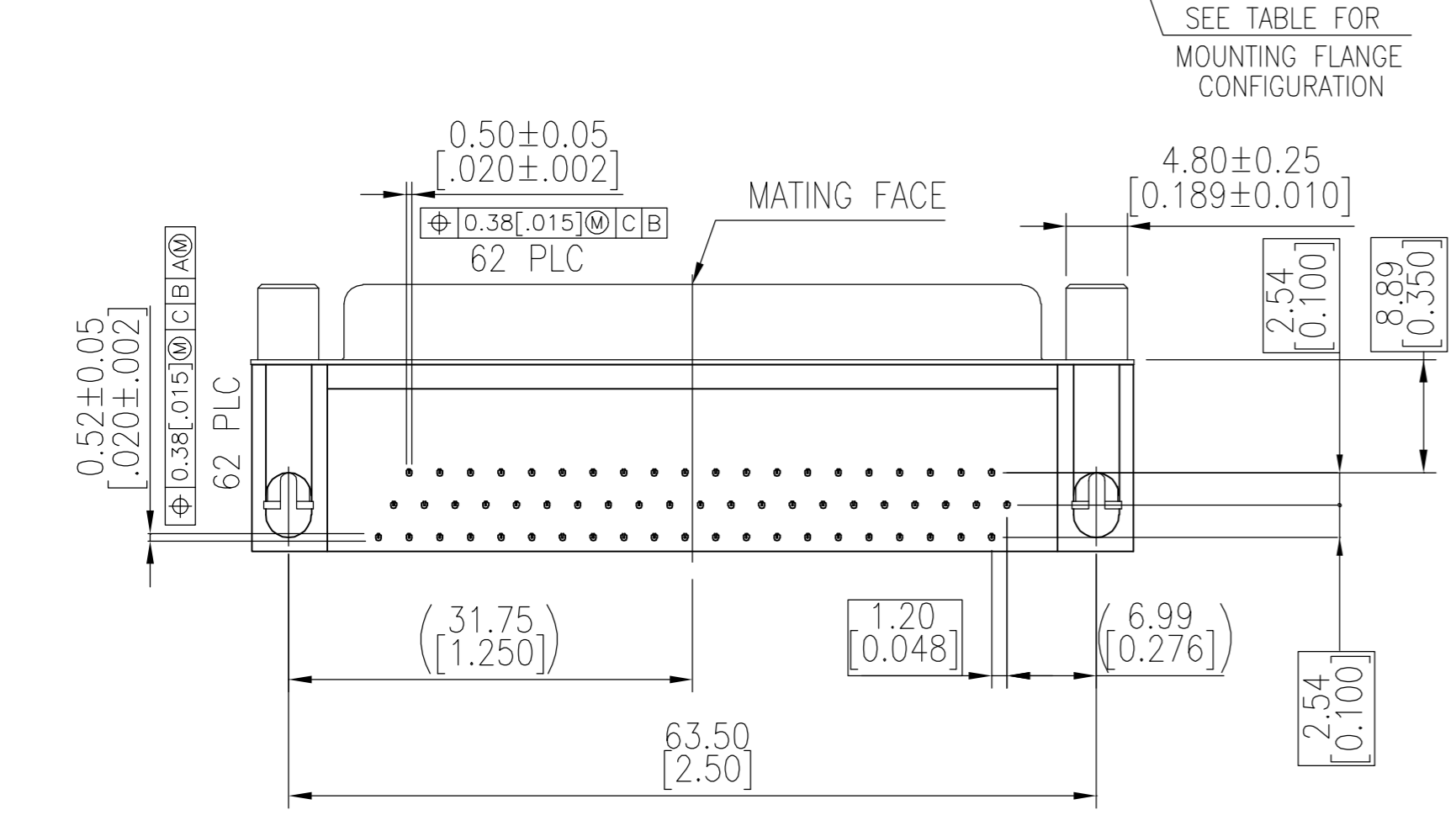
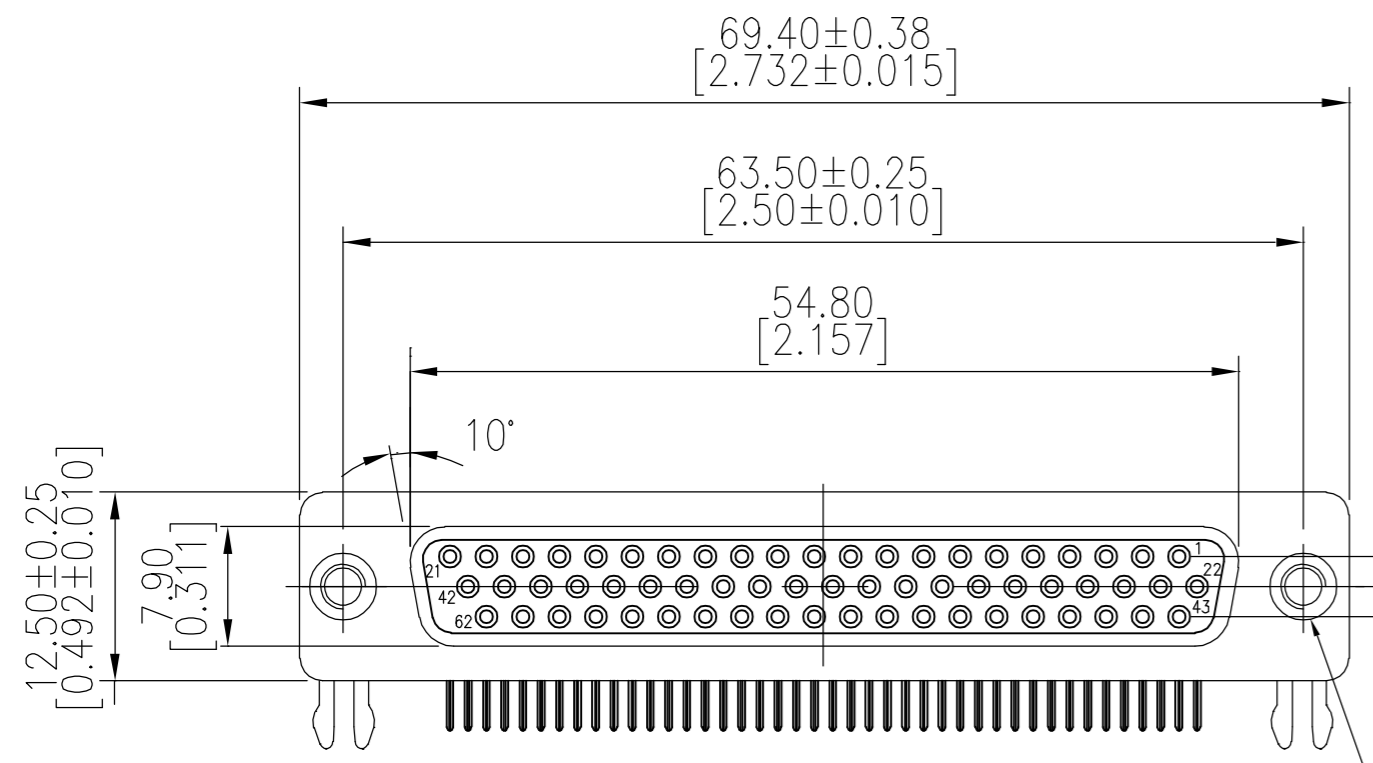
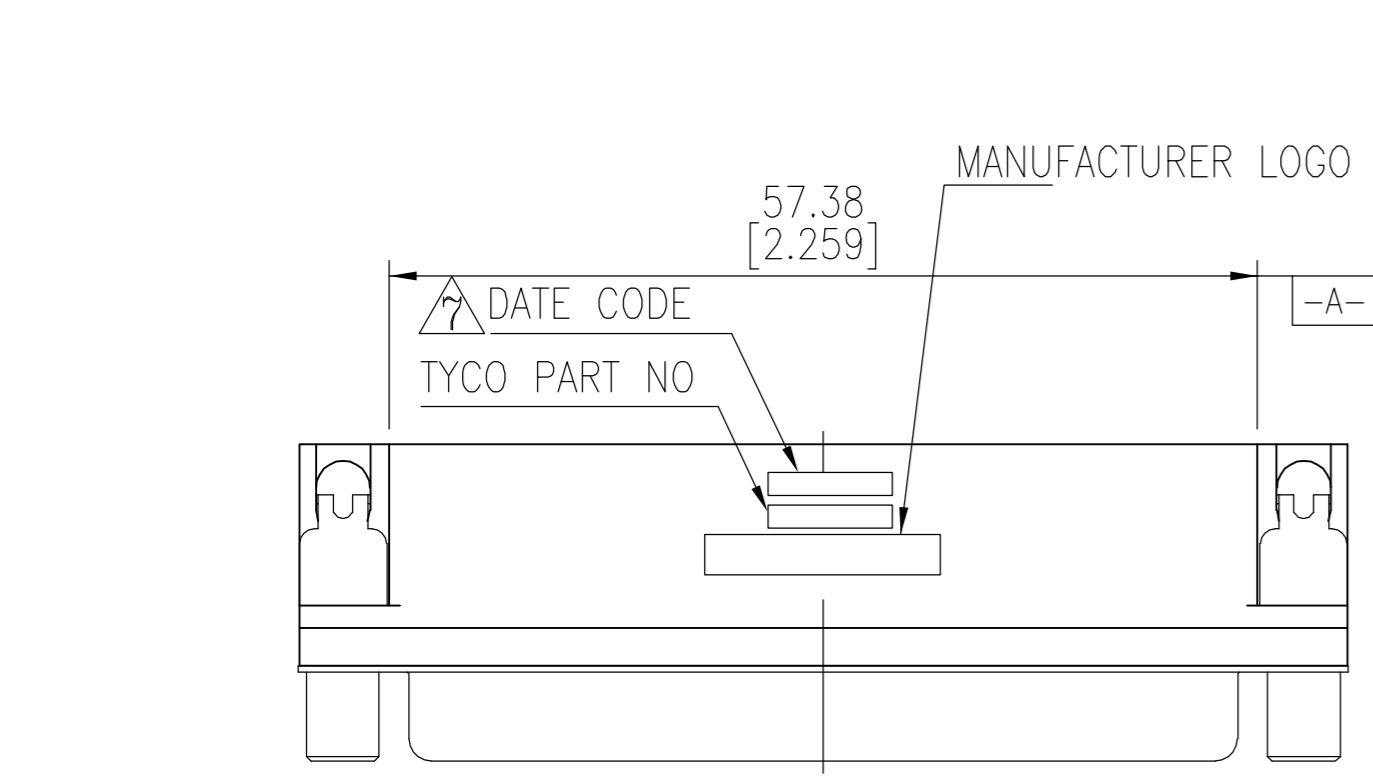


THIS DRAWING IS UNPUBLISHED. RELEASED FOR PUBLICATION
 © COPYRIGHT BY TYCO ELECTRONICS CORPORATION. ALL RIGHTS RESERVED.

LOC		DIST		REVISIONS			
GP	00	P	LTR	DESCRIPTION	DATE	DWN	APVD
		A		REVISED PER ECO-06-024563	20OCT06	JDP	SB

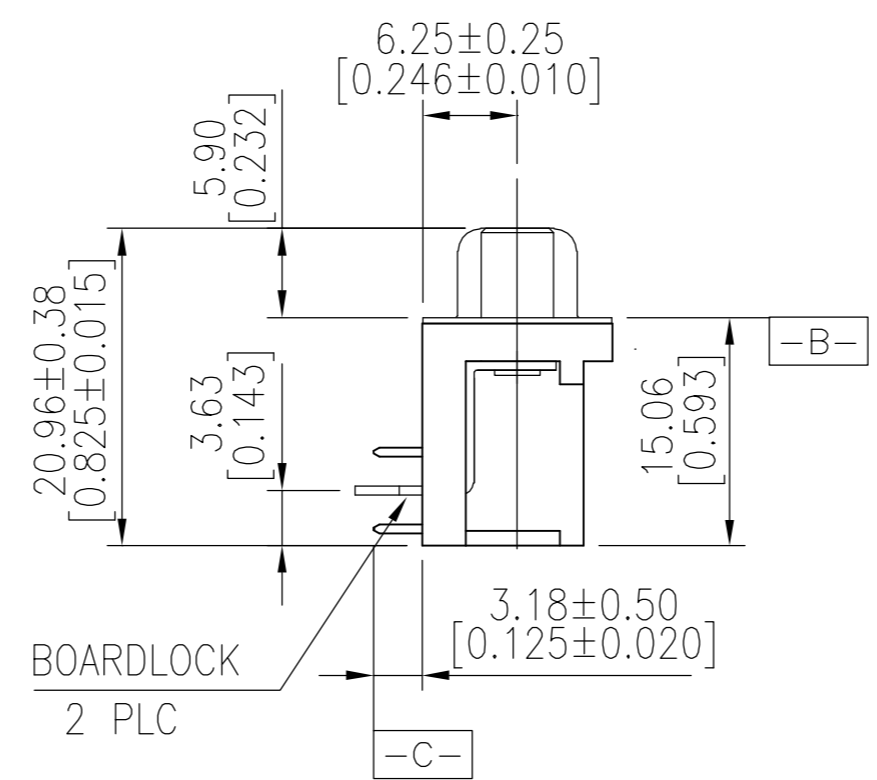
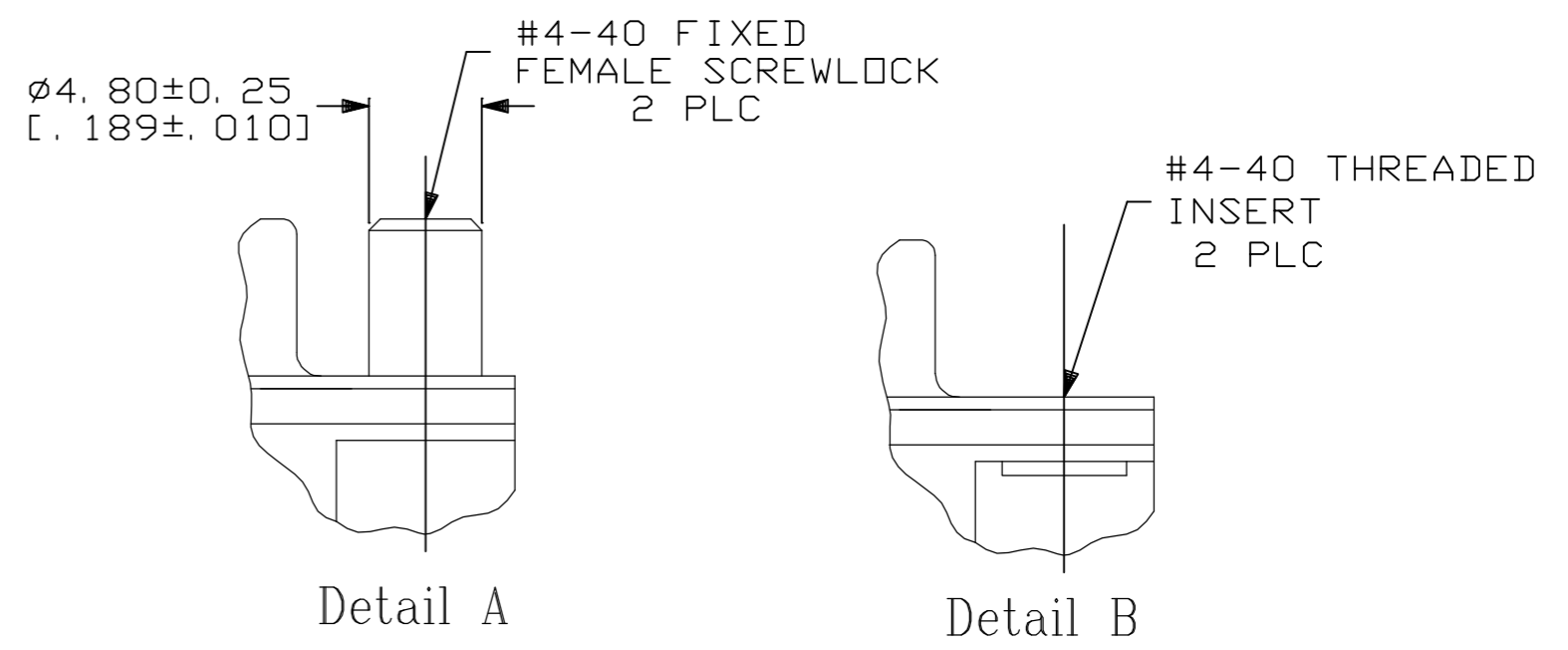


- HOUSING MATERIAL: PBT, GLASS FILLED, BLACK, UL 94V-0 RATED.
- CONTACT MATERIAL: PHOSPHOR BRONZE.
- CONTACT FINISH: GOLD PLATE IN MATING AREA (SEE TABLE), 120µ" MIN TIN PLATE ON SOLDER TAIL, BOTH OVER 50µ" MIN NICKEL UNDERPLATE.
- SHELL: STEEL, NICKEL PLATE.
- BOARDLOCK: BRASS, 100µ" MIN TIN PLATE.
- FEMALE SCREWLOCKS/ THREADED INSERTS: BRASS, NICKEL PLATE.

△ FOUR DIGIT DATE CODE IN THIS FORMAT.

Year 01 45 Manufacturing Week

△ DATUMS -X- & -Y- TO BE ESTABLISHED BY CUSTOMER.



Tray	Detail A	Gold flash	2-5748394-6
Tray	Detail A	15µ" MIN	2-5748394-5
Tray	Detail B	Gold flash	2-5748394-4
Tray	Detail B	15µ" MIN	2-5748394-3
Tray	Detail A	30µ" MIN	5748394-6
Tray	Detail B	30µ" MIN	5748394-5
Packaging	Mounting Flange Configuration	Contact Mating Area Finish	AMP Part NO.

5748394-6, 2--5, & 2--6, SHOWN

THIS DRAWING IS A CONTROLLED DOCUMENT.		DWN B. MCMASTER 21SEP05	Tyco Electronics Corporation Harrisburg, PA 17105-3608	
DIMENSIONS: mm [INCHES]		CHK S. BOLASH 21SEP05		
TOLERANCES UNLESS OTHERWISE SPECIFIED:		APVD M. WALMSLEY 21SEP05	NAME AMPLIMITE HD-22 62 POS RECEPTACLE, RIGHT ANGLE	
0 PLC ± -		PRODUCT SPEC -	SIZE A2	
1 PLC ± 0.30		APPLICATION SPEC -	CAGE CODE 00779	
2 PLC ± 0.20		WEIGHT -	DRAWING NO C=5748394	
3 PLC ± 0.10		CUSTOMER DRAWING	RESTRICTED TO -	
4 PLC ± -		SCALE 2:1	SHEET 1 of 1	
ANGLES ± 2°		REV A		
FINISH -				