

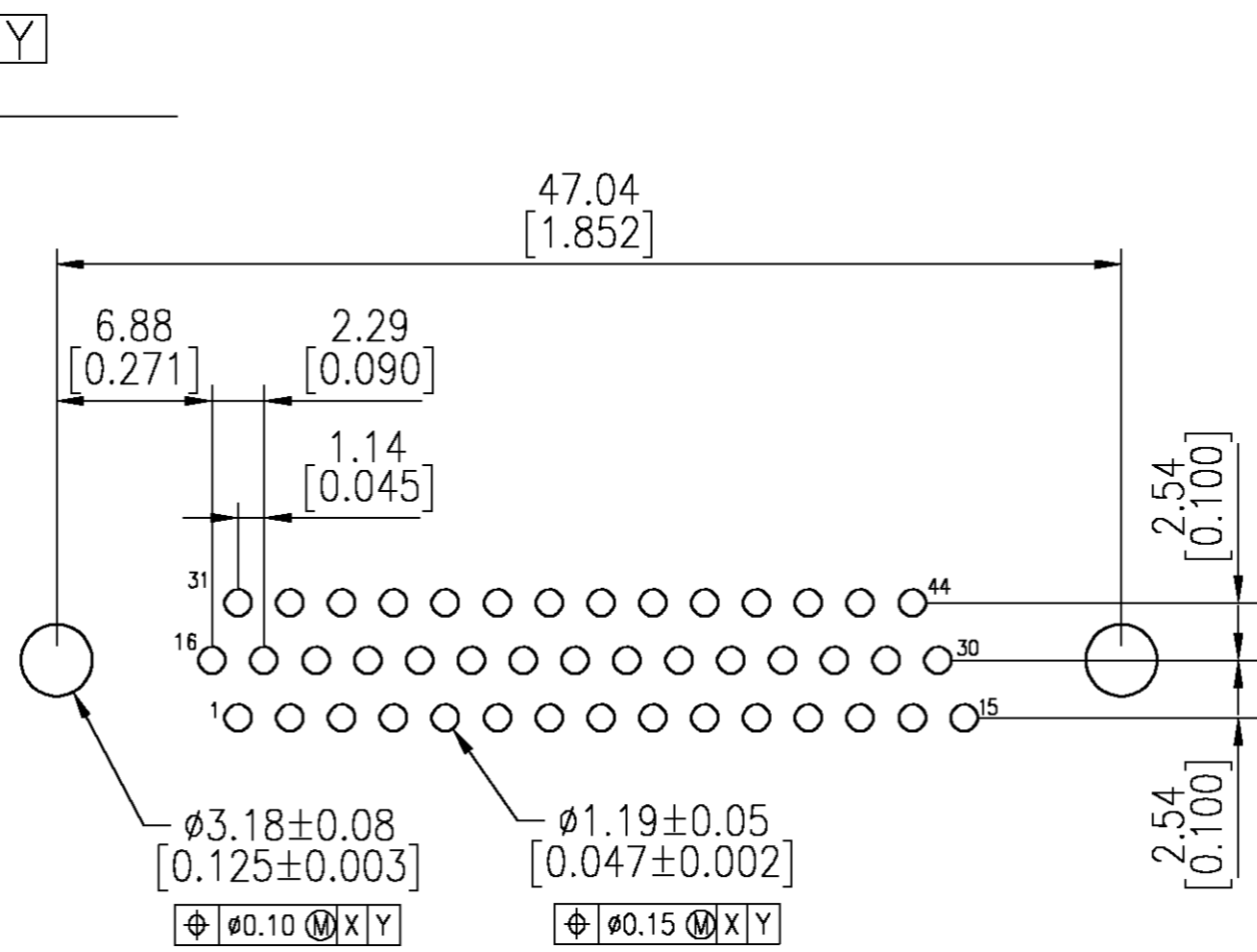
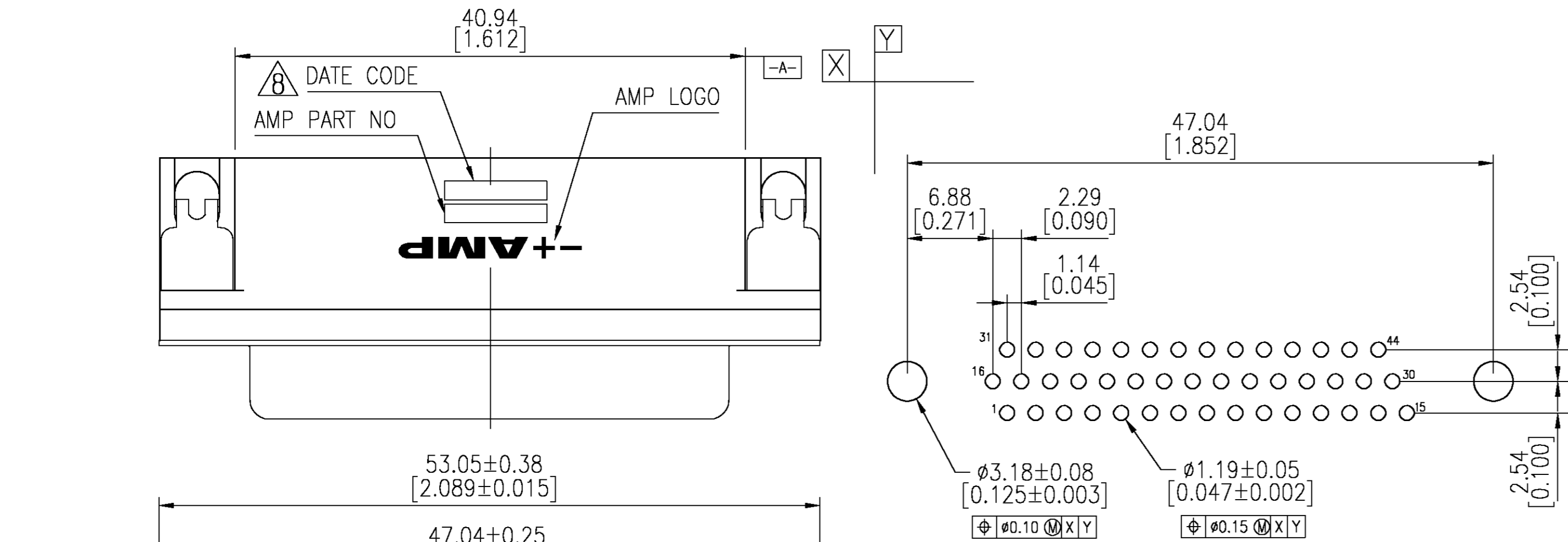
THIS DRAWING IS UNPUBLISHED. RELEASED FOR PUBLICATION
 © COPYRIGHT BY TYCO ELECTRONICS CORPORATION. ALL RIGHTS RESERVED.

Loc		DIST		REVISIONS			
GP	00	P	LTR	DESCRIPTION	DATE	DWN	APVD
		0		RELEASED PER EC 0S13-0056-05	25FEB05	JG	SB

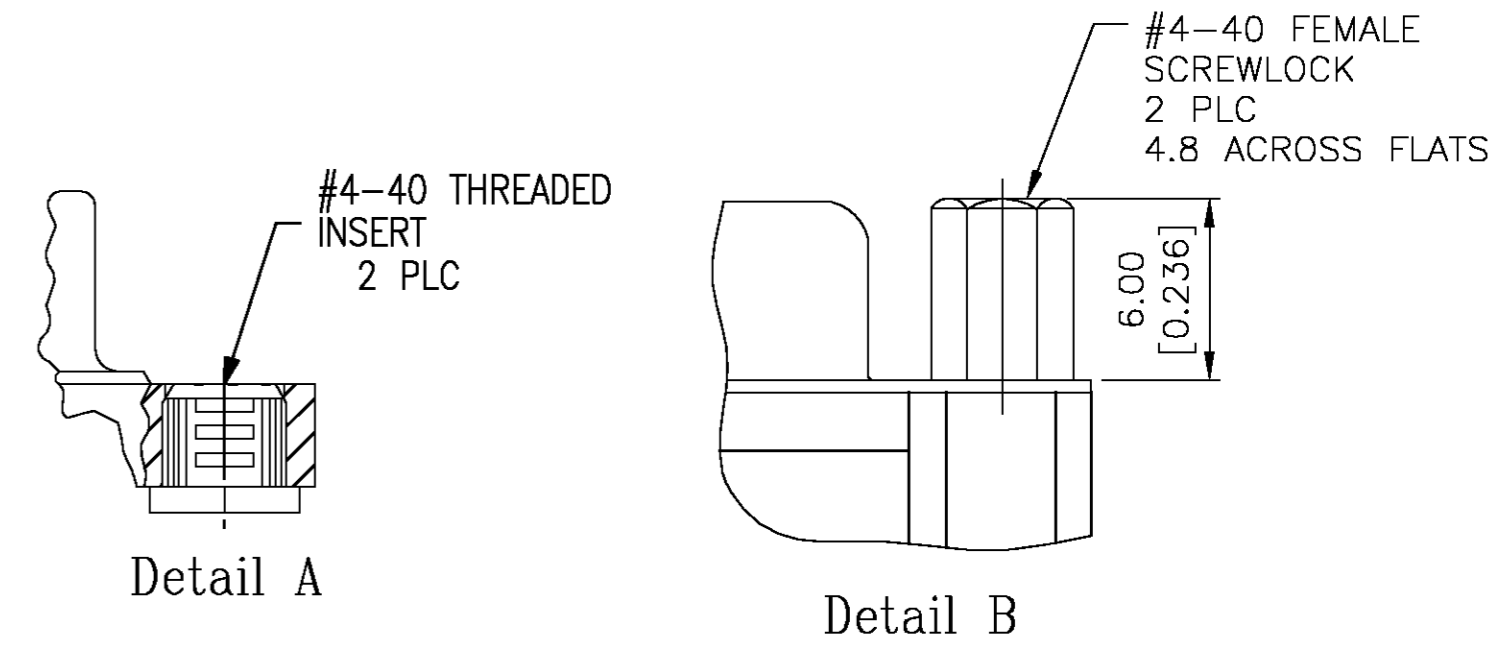
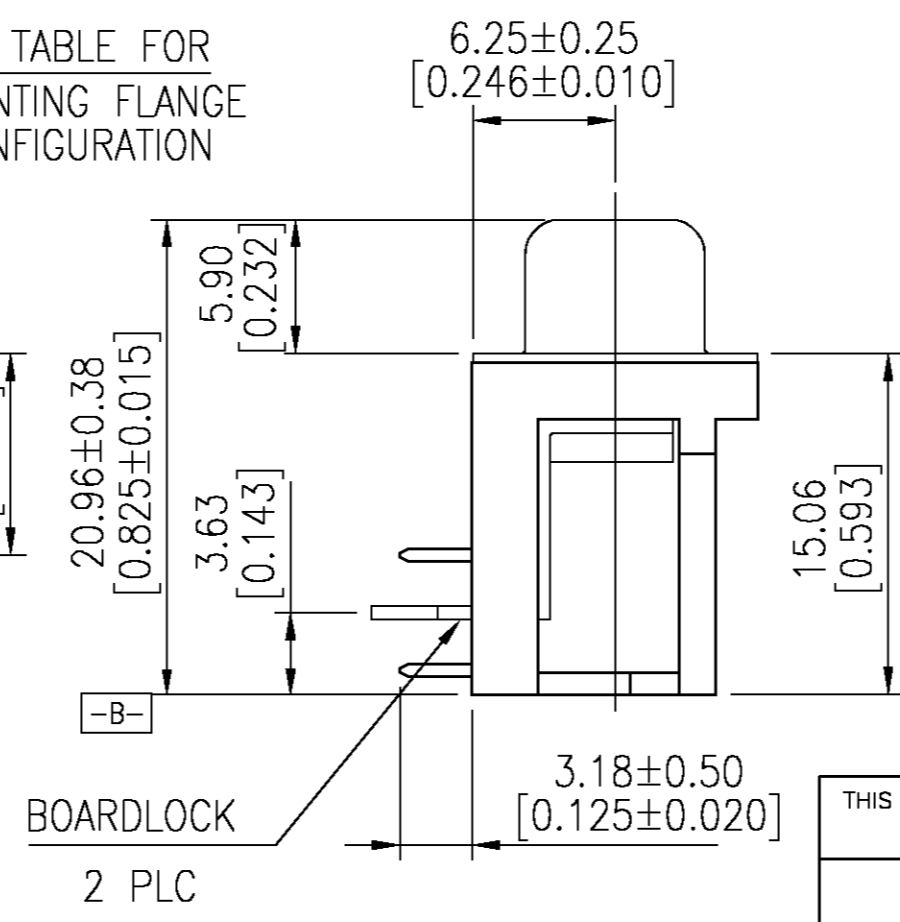
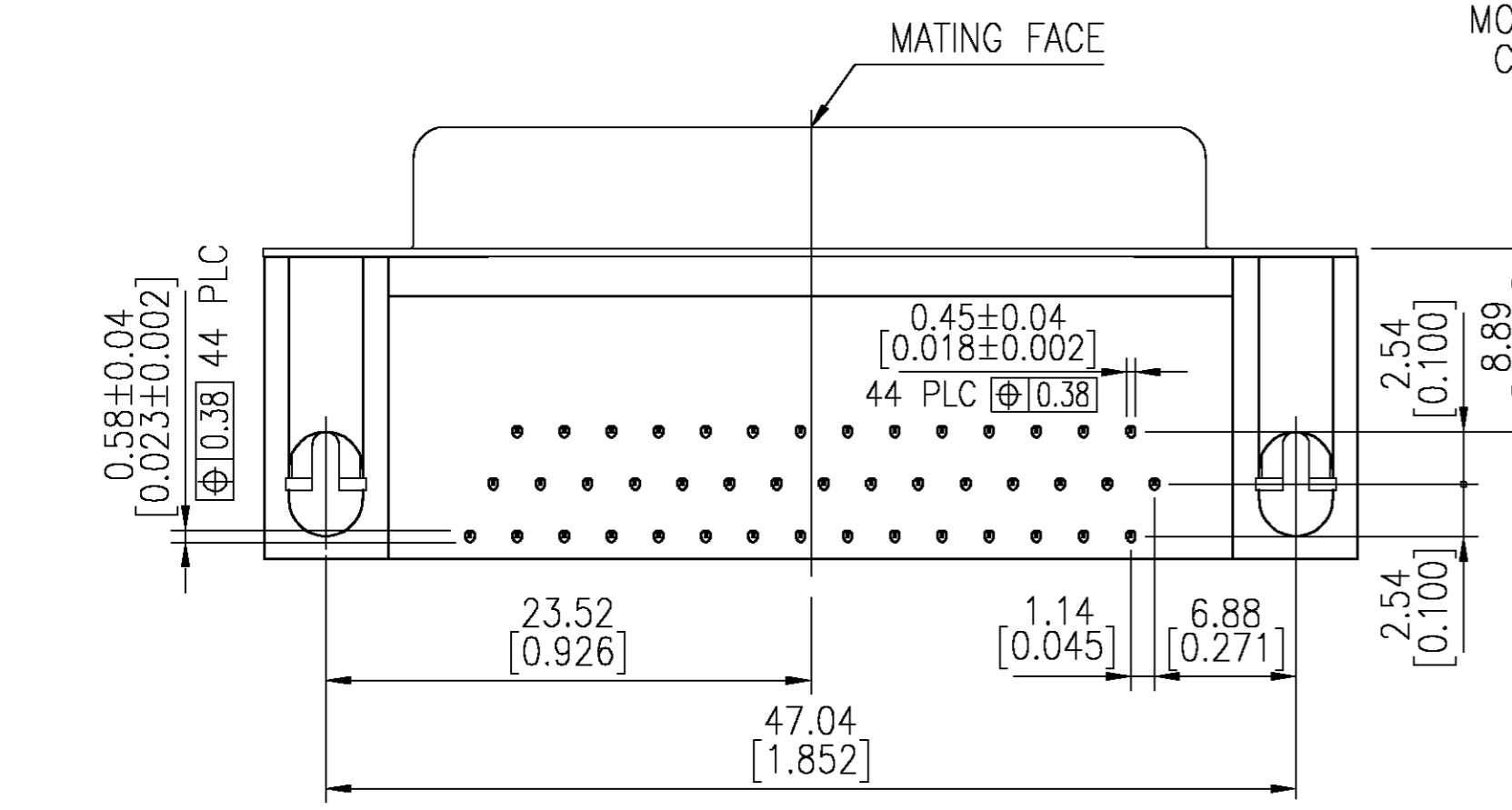
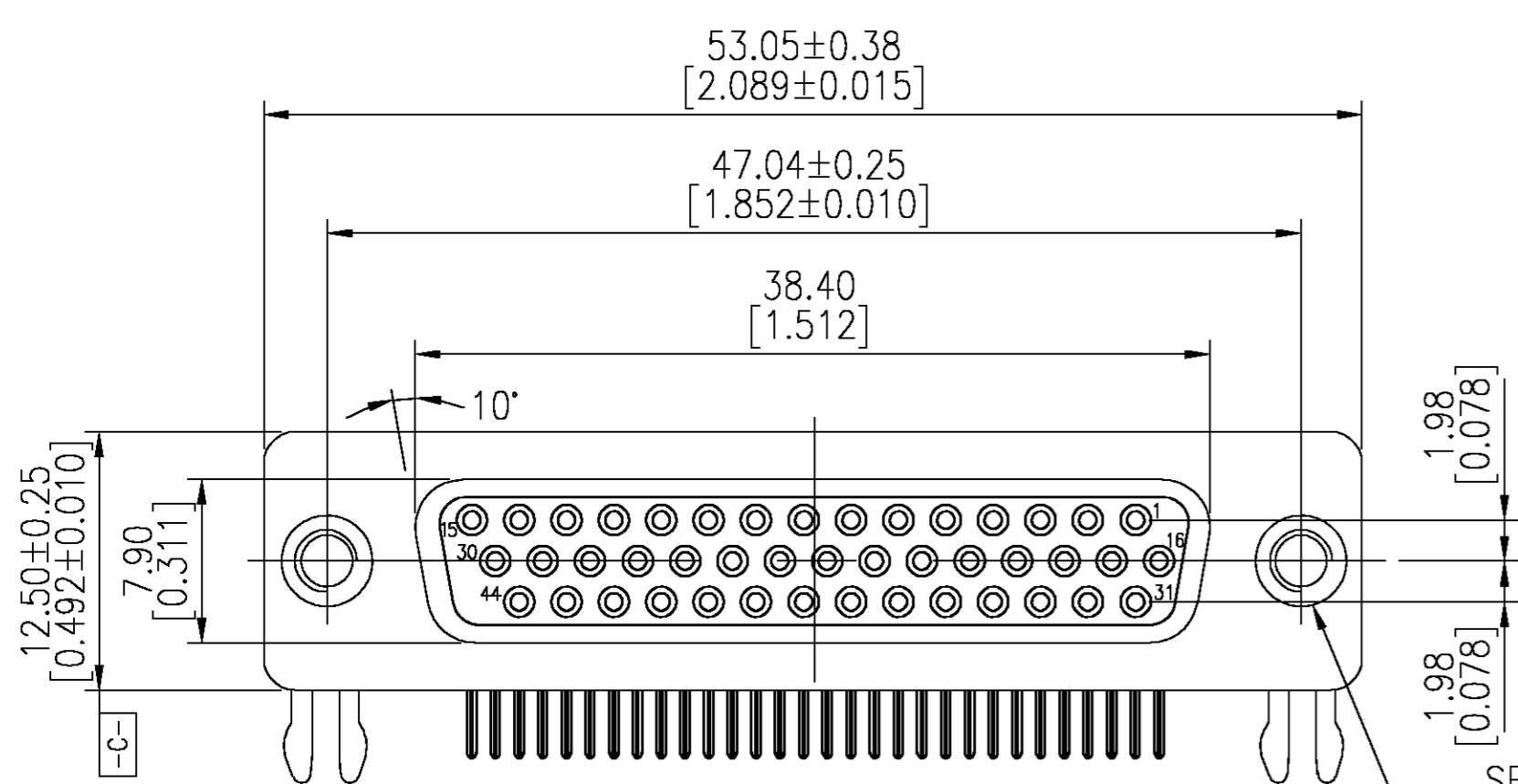
MATERIAL:

- Housing: PBT , 30 % G.F polyester, Black. (UL 94V-0 Rated)
- Contact: Phos. Bronze.
- Contact Plated: Gold Plated over 50u" Nickel underplated.
- Solder Tail: Sn Plated 120u" over 50u" Nickel underplated.
- Shell: Steel, Nickel Plated.
- Boardlocks: Brass, Tin Plated 100u".
- Screwlocks: Brass, Nickel Plated 30u".

△ Four digit date code in this format.
 Year 01 45 Manufacturing Week



RECOMMENDED PCB LAYOUT



Tray	Detail B	15 μ"	2-5748482-5
Tray	Detail A	Gold flash	2-5748482-4
Tray	Detail A	15 μ"	2-5748482-3
Tray	Detail A	30 μ"	5748482-5
Packaging	Mounting Flange	Contact Finish	Part No

THIS DRAWING IS A CONTROLLED DOCUMENT.		DWN	J.GERACE	25FEB05	tyco Electronics	Tyco Electronics Corporation	
DIMENSIONS: mm [INCHES]		CHK	S.BOLASH	25FEB05		Harrisburg, Pa 17105-3608	
TOLERANCES UNLESS OTHERWISE SPECIFIED:		APVD	M.WALMSLEY	25FEB05	NAME		
0 PLC ± -		PRODUCT SPEC		AMPLIMITE HD-22,			
1 PLC ± 0.30		APPLICATION SPEC		44 POSITION RECEPTACLE, RIGHT ANGLE			
2 PLC ± 0.20		WEIGHT		SIZE		CAGE CODE	DRAWING NO
3 PLC ± 0.10		CUSTOMER DRAWING		A2		00779	C=5748482
4 PLC ± -		SCALE		1:1		SHEET	1 OF 1
ANGLES ± 2°		RESTRICTED TO		-			
FINISH		REV		0			