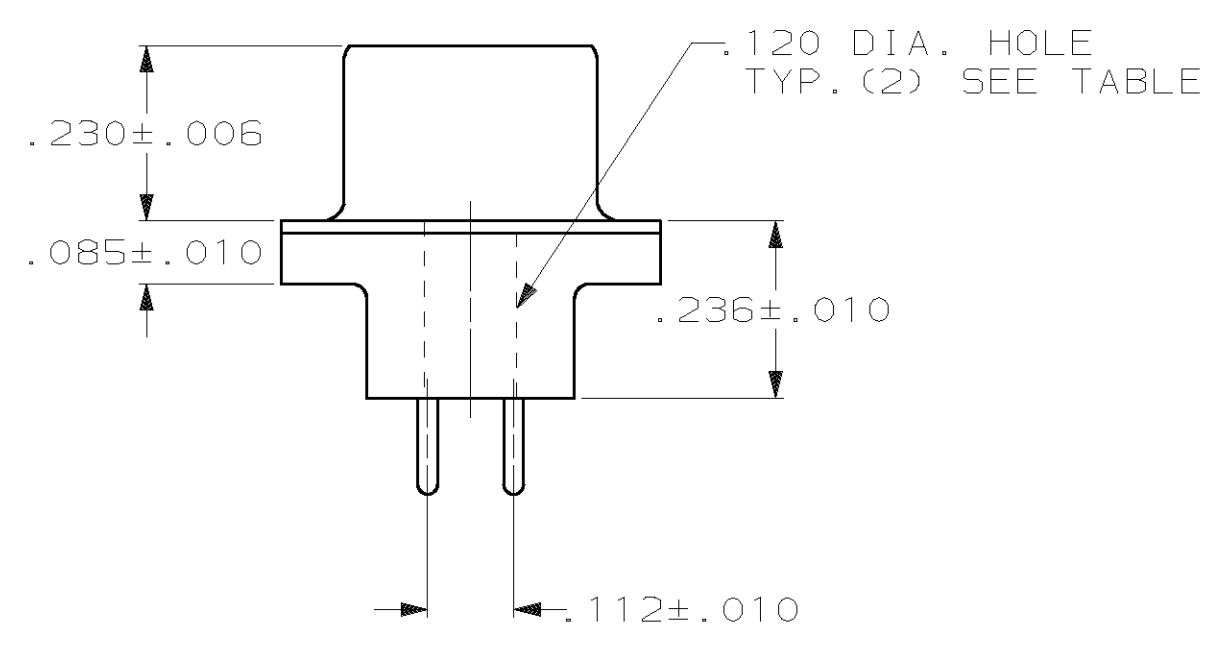
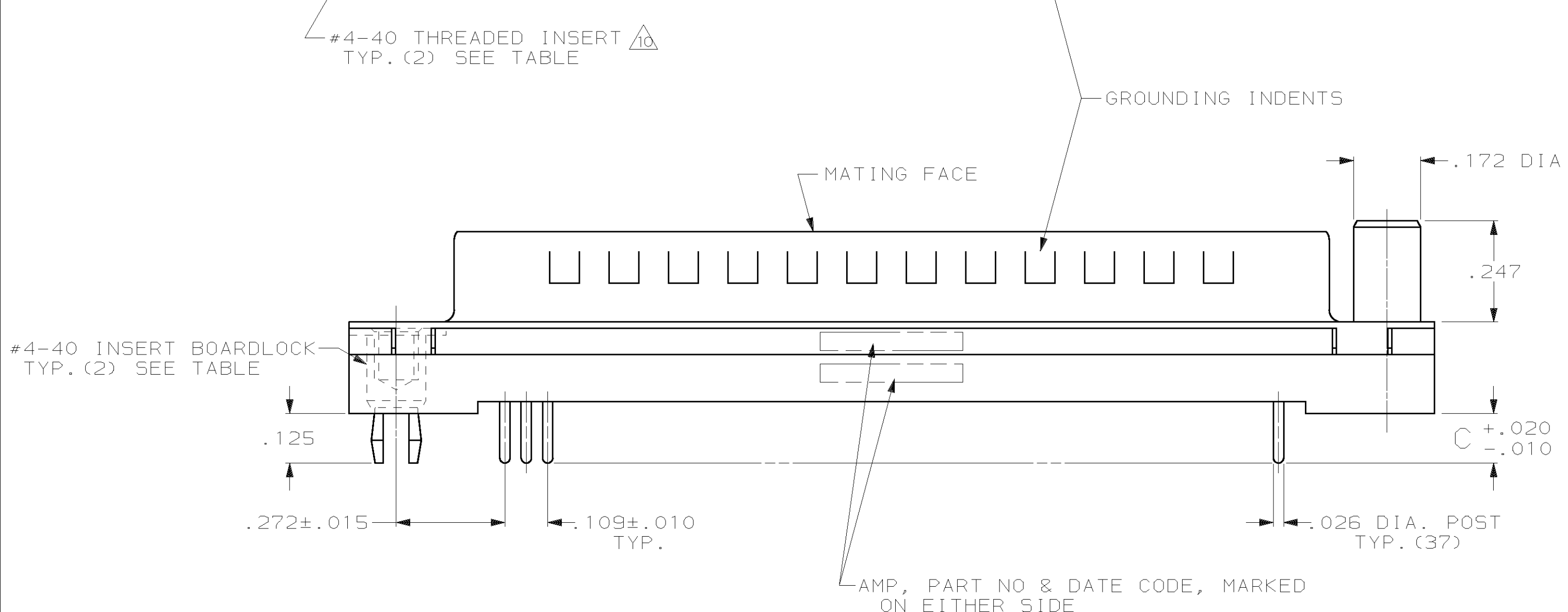
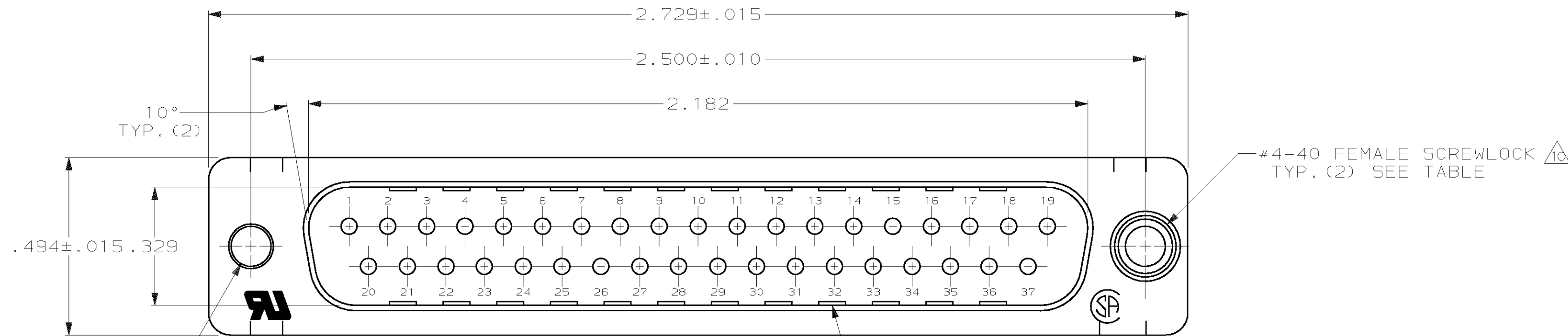
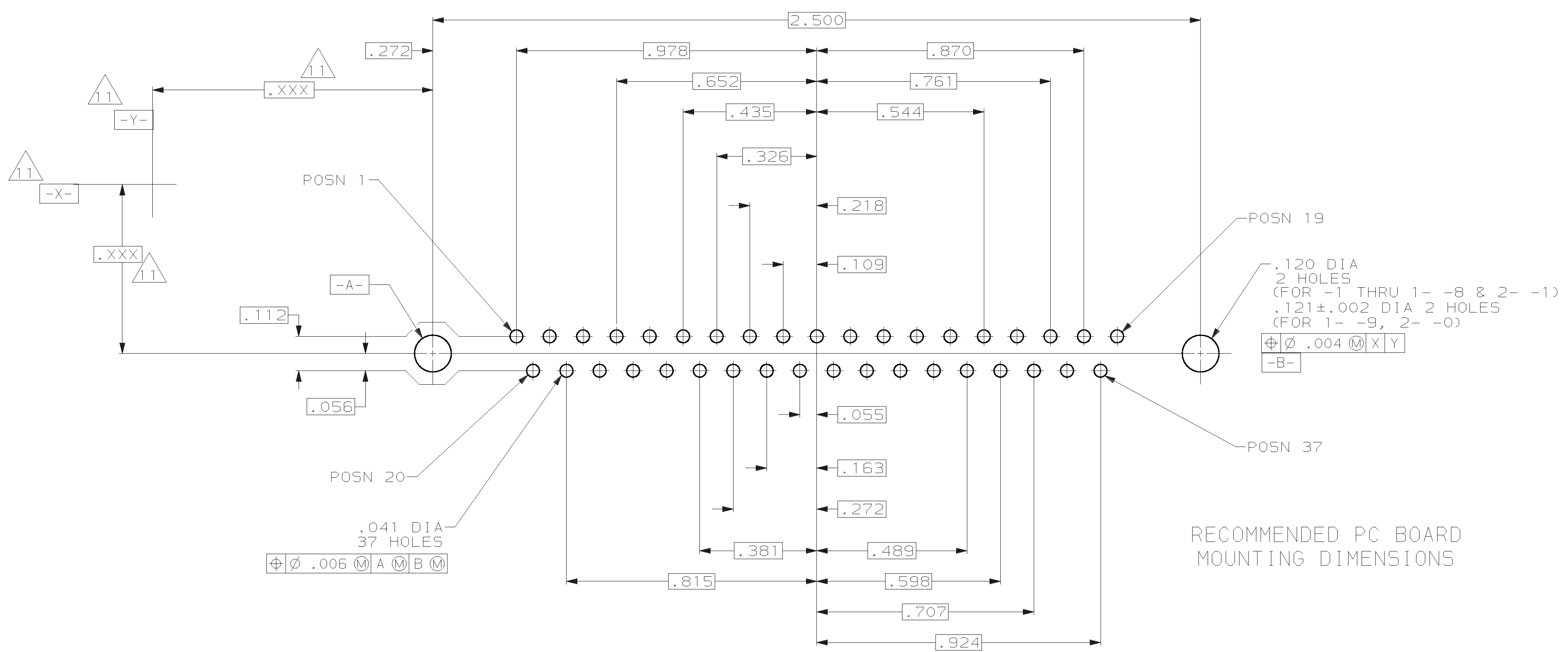


LOC	DIST	P	F	ZONE	LTR	DESCRIPTION	DATE	APPD
BD	77							
					E	0BS 1-747705-6, 1-9 BD6038	06/08/92	CR
					F	REV PER EC 0020-1018-93	08/06/93	NN
					G	REV PER EC0020-1429-93	01/31/94	JD
					H	SUPERSEDED -20	15 JAN 97	RT
					J	PER EC 0020-483-96	18 MAR 99	RT



- △ FLAME RETARDANT 94V-0 RATED THERMOPLASTIC; COLOR: BLACK.
- △ STEEL PER ASTM A109.
- △ BRASS PER MIL-C-50.
- △ INSERTS & BOARDLOCKS: BRASS PER QQ-B-626, SCREWLOCKS: ZINC.
- △ GOLD PLATING PER MIL-G-45204, TIN PLATING PER MIL-T-10727, NICKEL PLATING PER QQ-N-290.
- △ .000200-.000400 BRIGHT TIN.
- △ INSERTS: UNPLATED, SCREWLOCKS: UNPLATED, BOARDLOCKS: TIN PLATED.
- △ GOLD FLASH FOR LENGTH OF .150 MIN FROM MATING END, .000100-.000200 BRIGHT TIN OR BRIGHT TIN LEAD ON TERMINATION END, ALL OVER .000050 NICKEL ON ENTIRE CONTACT.
- △ GOLD PLATED FOR A LENGTH OF .150 FROM MATING END, .000030 MIN GOLD IN MATED AREA, .000100-.000200 BRIGHT TIN OR BRIGHT TIN-LEAD ON TERMINATION END, ALL OVER .000050 MIN NICKEL ON ENTIRE CONTACT.
- △ INSERTS & SCREWLOCKS WILL WITHSTAND 10 IN. LBS. TORQUE AND 50 LBS. PULL OUT FORCE FROM MATING FACE SIDE.
- △ DATUMS AND BASIC DIMENSIONS ESTABLISHED BY CUSTOMER.



REMARKS	CONTACT FINISH	C	PART NUMBER
WITH FEMALE SCREWLOCKS	△	.170	2-747705-1
SUPERSEDED BY 747375-8		.125	2-747705-0
WITH INSERT BOARDLOCKS	△	.125	1-747705-9
OBSOLETE		.250	1-747705-8
OBSOLETE		.250	1-747705-7
OBSOLETE		.170	1-747705-6
WITH FEMALE SCREWLOCKS	△	.170	1-747705-5
OBSOLETE		.125	1-747705-4
OBSOLETE		.125	1-747705-3
OBSOLETE		.250	1-747705-2
OBSOLETE		.250	1-747705-1
WITH THREADED INSERTS	△	.170	1-747705-0
SUPERSEDED BY 747375-8		.125	747705-8
OBSOLETE		.125	747705-7
OBSOLETE		.250	747705-6
OBSOLETE		.250	747705-5
OBSOLETE		.170	747705-4
WITH .120 DIA. HOLE	△	.170	747705-3
SUPERSEDED BY 747375-2		.125	747705-2
OBSOLETE		.125	747705-1

DO NOT SCALE PRINT. UNLESS SPECIFIED DIMENSIONS IN INCHES TOLERANCES ON: 2 PLC DEC ± .005 ANGLES ± 2°	DR 2-27-85 5. WELDON CHK 2-27-85 J. GERACE APPD 2-27-85 R. BRANDT	AMP Incorporated Harrisburg, PA 17105-3508
MATERIAL HOUSING: △ SHELL: △ CONTACTS: △ INSERTS, SCREWLOCKS & BOARDLOCKS: △	APPD 2-27-85 R. BAER	
FINISH SHELL: △ CONTACTS: SEE TABLE INSERTS, SCREWLOCKS & BOARDLOCKS: △	PRODUCT SPEC 108-40025 APPLICATION SPEC 114-40023	NAME PLUG ASSEMBLY, SIZE 4, 37 POS., VERTICAL, .026 DIA. DUPLEX PLATED POSTS, FRONT SHELL, AMPLIMITE™ HDP
THIS DRAWING IS A CONTROLLED DOCUMENT FOR AMP INCORPORATED. IT IS SUBJECT TO CHANGE AND THE CONTROLLING ENGINEERING ORGANIZATION SHOULD BE CONTACTED FOR THE LATEST REVISION.	WEIGHT -	SIZE D CAGE CODE 00779 DRAWING NO C-747705 SCALE NTS SHEET 1 OF 1