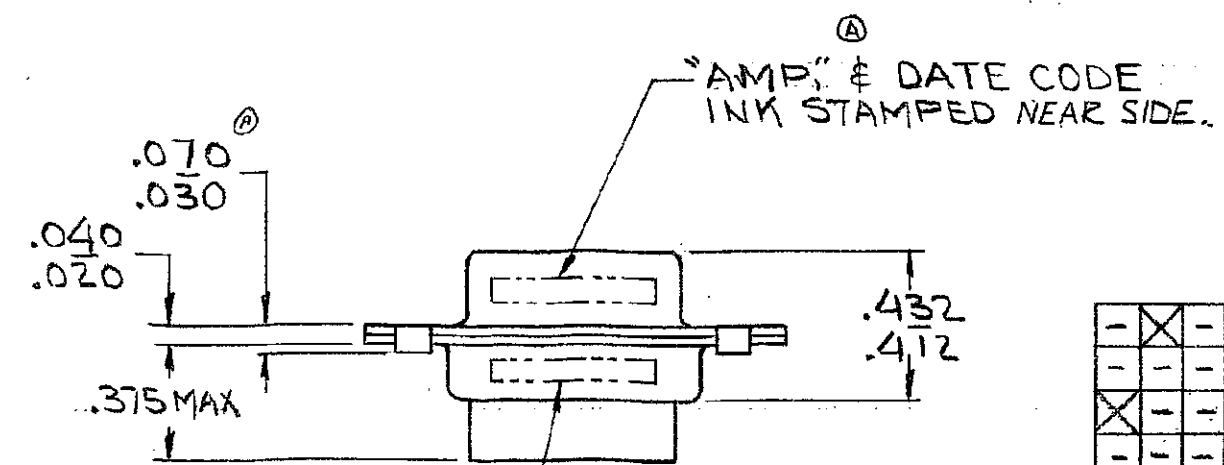
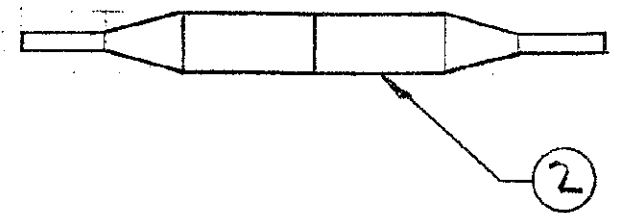
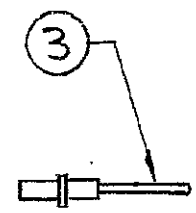
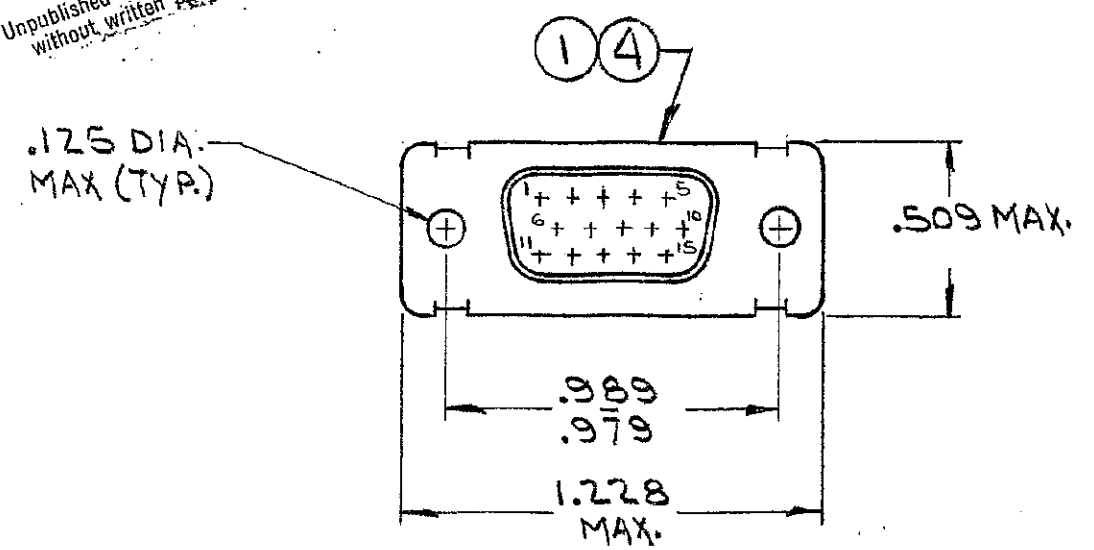


DRAWING MADE IN AMERICAN PROJECTION

© 1970 BY AMP INCORPORATED. ALL RIGHTS RESERVED. AMP PRODUCTS COVERED BY PATENTS AND/OR PATENTS PENDING.

Unpublished copy not to be reproduced without written permission of AMP Incorporated.

REVISIONS				
ZONE	LTR	DESCRIPTION	DATE	APPROVED
	A	REV. PER ECN B-948	5/11/73	JM
	B	ITEM 2 WAS 91054-1 ECN C-878	3/19/74	DR
	C	REV PER ECN J-709	9-8-82	AE gm
	D	REV PER ECN DF-0021, DF-0160, DF-0541, R-2677	7-13-88	FAM
	E	REV PER DF4250	5-91	AE
	F	REV PER 0600-6676-97 JY	7-10-98	CT



INK STAMPED FAR SIDE:
 ⓐ M24308/4-11F(-1, -2 & -3 ONLY)
 ⓑ M24308/8-11F(-4, -5 & -6 ONLY)

-	X	-	-	-	-	MIL No. M24308/8-11F STAMPED ON PACKAGE								
-	-	-	-	X	-	MIL No. M24308/4-11F STAMPED ON PACKAGE								
X	-	-	-	-	-	MIL No. M24308/8-17F STAMPED ON PACKAGE								
-	-	-	X	-	-	MIL No. M24308/4-17F STAMPED ON PACKAGE								
1	1	1	-	-	-	C 204501-2 PLUG ASSY, SIZE 1 (BRASS SHELL)		4						
15	15	-	15	15	-	B 204370-2 CONTACT PIN, SIZE 22D		3						
1	-	1	1	-	1	B 91067-1 INSERTION/EXTRACTION TOOL		2						
-	-	-	1	1	1	C 204501-1 PLUG ASSY, SIZE 1 (STEEL SHELL)		1						
-	6	-	5	-	4	-	3	-	2	-	1	DWG NUMBER	NAME	ITEM No.

UNLESS OTHERWISE SPECIFIED DIMENSIONS ARE IN INCHES TOLERANCES ON: DECIMALS ± # ANGLES ± #	CONTRACT NO.	AMP INCORPORATED HARRISBURG, PENNSYLVANIA		
	DR. <i>J. S. [Signature]</i> 11/30/70	NAME AMP		
	CHKD. <i>[Signature]</i> 12-8-70	KIT, "HDD" SERIES, PLUG, SIZE #1 (15 POS.)		
	APPD. <i>[Signature]</i> 12-8-70	SIZE	CODE IDENT NO.	NUMBER
MATERIAL	REL. <i>[Signature]</i> 12-9-70	B	00779	204513
	DSGN APPD. <i>[Signature]</i>	SCALE		SHEET 1 OF 1
	OTHER APPD.			

PRINT DIST. LOC. DF. D. DO.