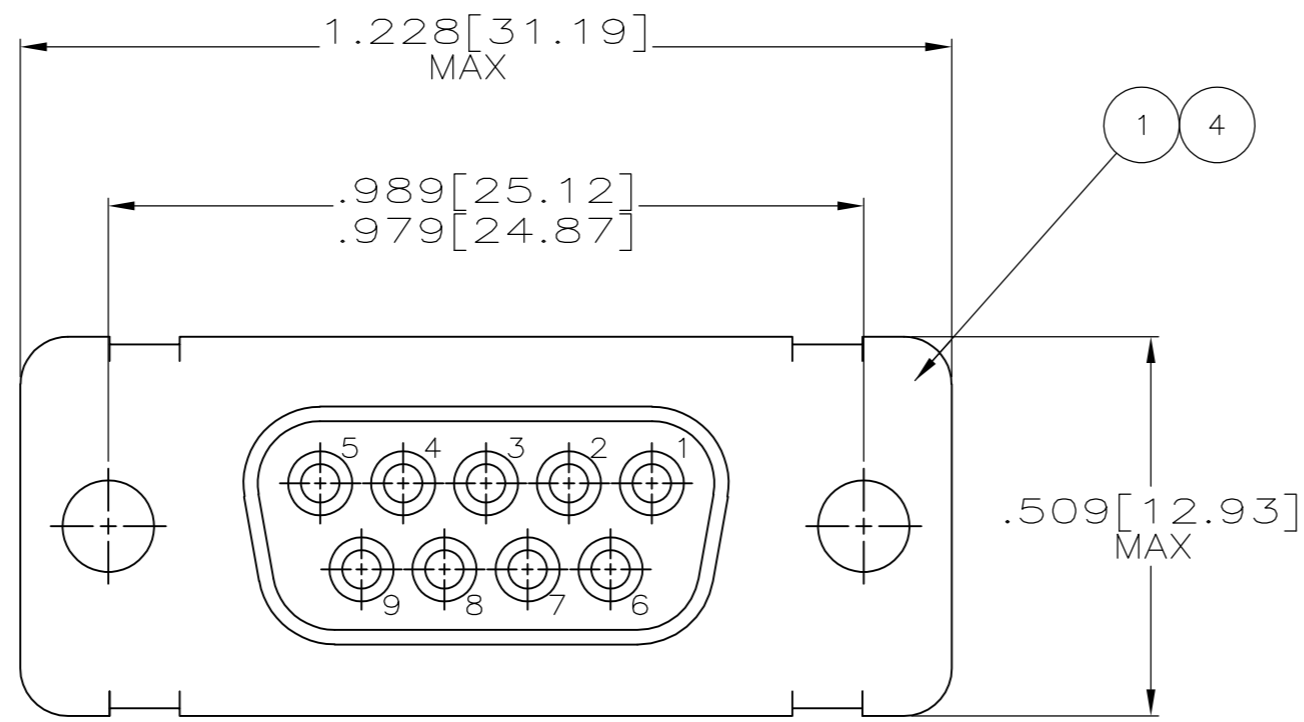
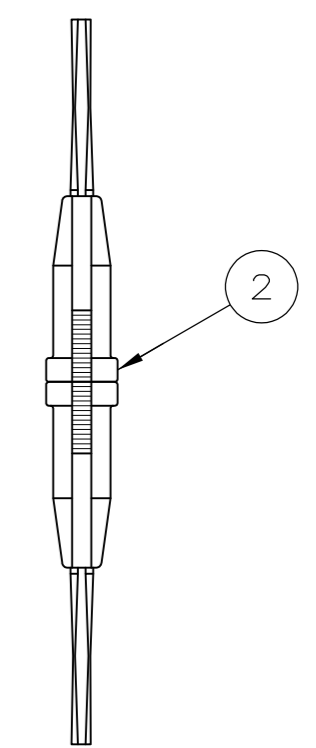
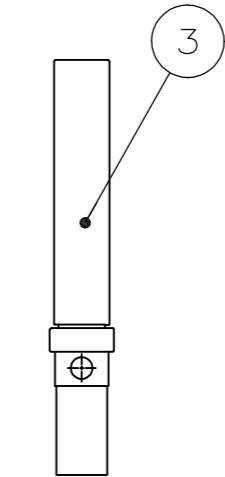
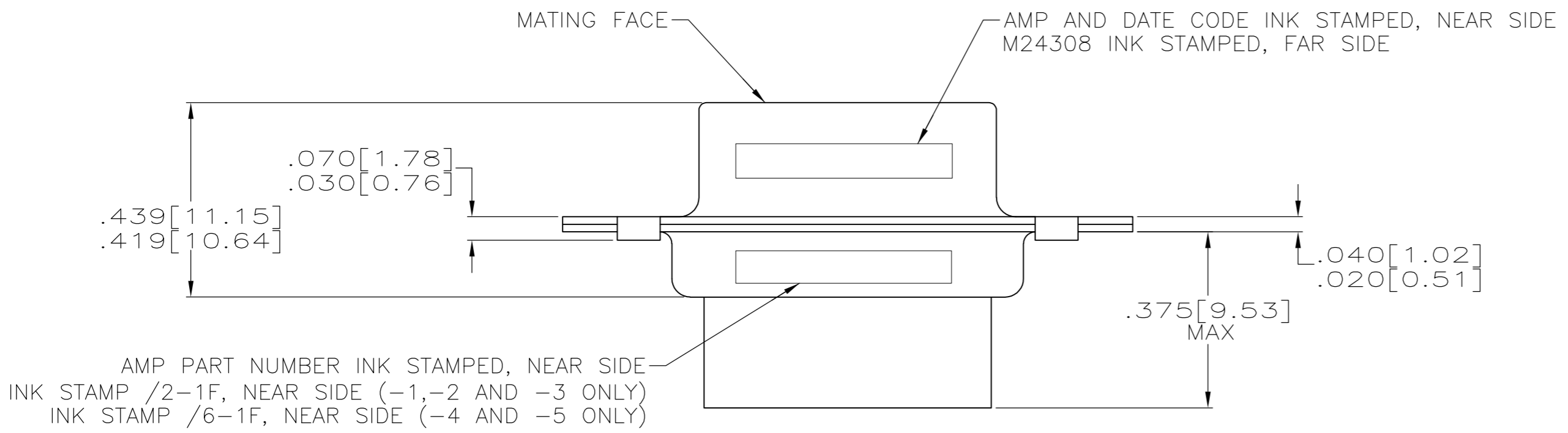


THIS DRAWING IS UNPUBLISHED. RELEASED FOR PUBLICATION  
 © COPYRIGHT BY TYCO ELECTRONICS CORPORATION. ALL RIGHTS RESERVED.

LOC	DIST	REVISIONS					
DF	D0	P	LTR	DESCRIPTION	DATE	DWN	APVD
		G		REV PER ECO-08-004203	10MAR2008	TK	CT



- △ SUPERCEDED BY 205161-1 AND 91067-2.
- △ SUPERCEDED BY 207253-2 AND (9) 206793-1.
- △ OBSOLETE.



△ 3	91067-2	205090-1	M24308/6-6F	M24308/6-1F	205555-4	205555-5
△ 2	-	205090-1	M24308/6-1F	M24308/6-1F	205555-4	205555-4
	91067-2	205090-1	M24308/2-6F	M24308/2-1F	205555-2	205555-3
	-	205090-1	M24308/2-1F	M24308/2-1F	205555-2	205555-2
△ 1	91067-2	-	-	M24308/2-1F	205555-2	205555-1
REMARKS	INSERTION/EXTRACTION TOOL	CONTACT (QTY=9)	MILITARY P/N ON PACKAGE	MILITARY P/N ON CONNECTOR	AMP PART NUMBER ON CONNECTOR	PART NO

THIS DRAWING IS A CONTROLLED DOCUMENT.

DWN	T. THOMPSON	11-03-94
CHK	D. MANTIONE	01-16-95
APVD	D. MANTIONE	01-16-95

Tyco Electronics Corporation  
Harrisburg, PA 17105-3608

NAME: KIT, HDM-20 SERIES, RECPT, SIZE 1, 9 POSITION

SIZE	CAGE CODE	DRAWING NO	RESTRICTED TO
A2	00779	C=205555	-

SCALE: 4:1 SHEET: 1 of 1 REV: G