

© 1971 BY AMP INCORPORATED. ALL RIGHTS RESERVED. AMP PRODUCTS COVERED BY PATENTS AND/OR PATENTS PENDING.

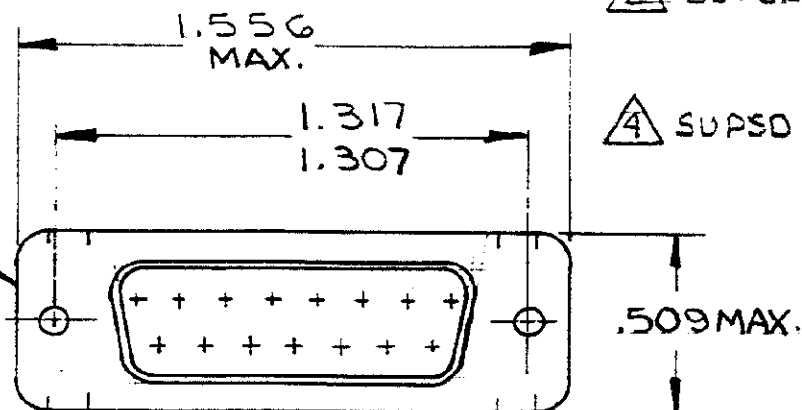
Unpublished copy not to be reproduced without written permission of AMP Incorporated

1 APPROPRIATE AMP P/N (KIT) IS MARKED ON PACKAGE

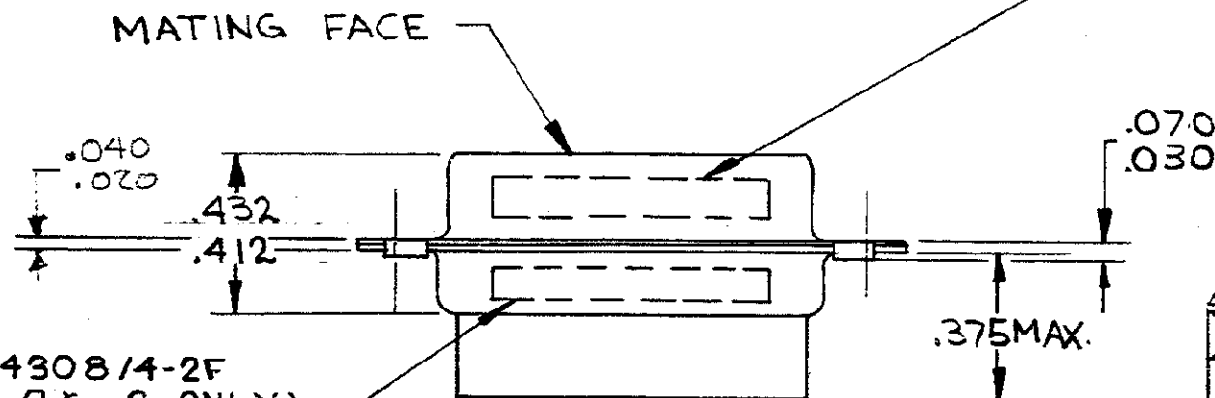
2 SUPSD BY 205164-1 & 91067-2

4 SUPSD BY 206798-2 & (15) 205089-1 & 91067-2

REVISIONS				
ZONE	LTR	DESCRIPTION	DATE	APPROVAL
	0	RELEASED WAS 5066-283 RMM	6-23-71	FS
	A	REV. PER ECN B-774	2/15/73	FS
	B	REV. INK STAMPING MILITARY P/N ECN D-897	9/5/75	CS
	C	ADDED -4 & -5 & REV ECN J-709	9/10/72	FS
	D	REV. P-7676; DF-0541; DF-0021 & DF 0160	1-12-83	EAM
	E	REV PER DF4250	5-91	AE
	F	ECO-08-023688	PY 11-08	BW



MFG'S NAME, BRAND OR LOGO AND DATE CODE MARKED NEAR SIDE



M24308/4-2F (-1, -2, & -3 ONLY)
M24308/8-2F (-4 & -5 ONLY)
MARKED FAR SIDE

QTY	UNIT	DESCRIPTION	ITEM NO.
1	1	MIL. NO. M24308/B-75 MARKED ON PACKAGE	
1	1	MIL. NO. M24308/B-25 MARKED ON PACKAGE	
1	1	MIL. NO. M24308/4-75 MARKED ON PACKAGE	
1	1	205089-1 CONTACT PIN - SIZE 20	3
1	1	91067-2 INSERTION/EXTRACTION TOOL	2
1	1	205164-1 PLUG ASSY - SIZE #2	1
1	1	MILITARY P/N M24308/4-2F STAMPED ON PACKAGE	4

205558	205558	205558	205558	205558	UNLESS OTHERWISE SPECIFIED DIMENSIONS ARE IN INCHES TOLERANCES ON: DECIMALS = # ANGLES = #	CONTRACT NO.	AMP INCORPORATED HARRISBURG, PENNSYLVANIA
DR.	CHK.	APPD.	REL.	DSGN APPR.	MATERIAL	DR. R. Matthews 6-23-71	NAME KIT "HDM-20" SERIES, PLUG, SIZE #2, 15 POSITION
						APPD. D. Barr 6-30-71	SIZE B
						REL. R. Holleyday 7/2/71	CODE IDENT NO. 00779
							NUMBER 205558
							REV F
							SHEET 1 OF 1

LOC DF
PRINT DIST D/100