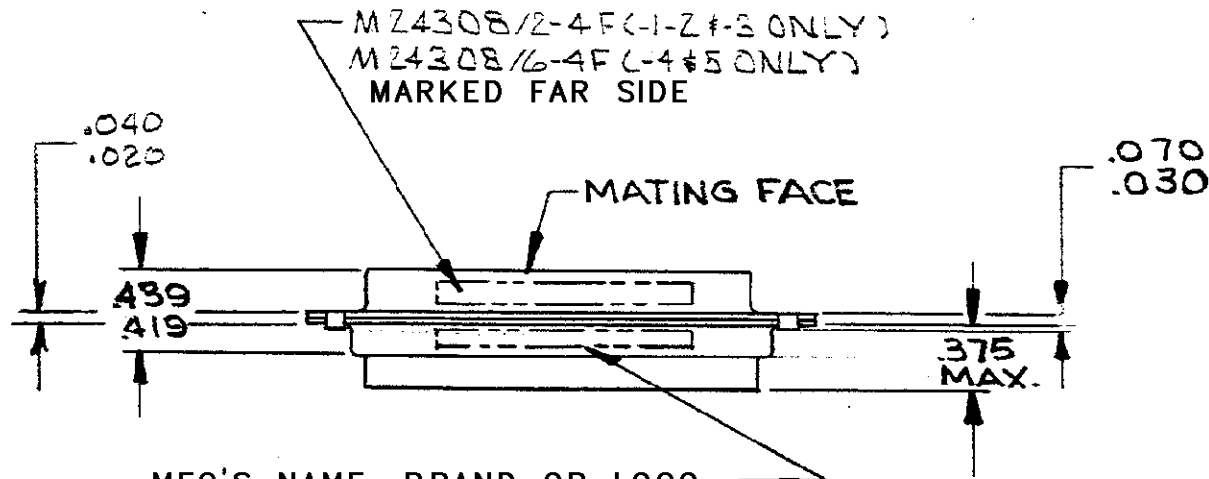
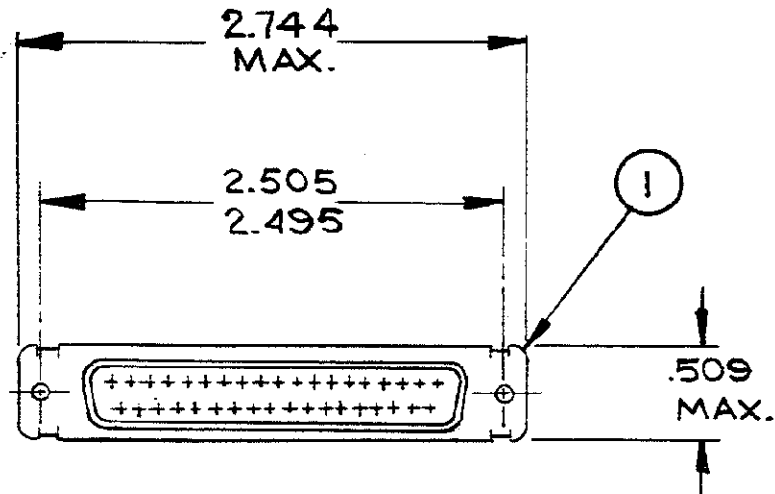


© 1971 BY AMP INCORPORATED. ALL RIGHTS RESERVED. AMP PRODUCTS COVERED BY PATENTS AND/OR PATENTS PENDING.

REVISIONS				
ZONE	LTR	DESCRIPTION	DATE	APPROVED
	O	RELEASED WAS 5066-286 RMT	6-25-71	gfs
	A	REV. PER ECN B-774	2/15/73	gfs
	B	REV. INK STAMPING MILITARY P/N ECN D-897	9/9/75	gfs
	C	ADDED -4F-5 & REV ECN J-709	9/9/72	gfs
	D	REV PER R22676; DF-0021 & DF-0160	1-12-88	EAM
	E	REV PER DF4250	5-91	AE
	F	ECO-08-023688	PY 11-08	BW

⚠ APPROPRIATE AMP P/N (KIT) IS MARKED ON PACKAGE

Unpublished copy not to be reproduced without written permission of AMP, Inc.



M24308/2-4F (-1-Z & 3 ONLY)
M24308/6-4F (-4 & 5 ONLY)
MARKED FAR SIDE

MFG'S NAME, BRAND OR LOGO
MFG'S PART NO AND DATE CODE
MARKED FAR SIDE

SUPSD BY 206803-2 & (37) 206793-1 & 91067-2
SUPSD BY 206803-2 & (37) 206793-1
SUPSD BY 205167-1 & 91067-2

<input checked="" type="checkbox"/>	-	-	-	-	MIL NO M24308 6-4F MARKED ON PACKAGE		
-	<input checked="" type="checkbox"/>	-	-	-	MIL NO M24308 6-4F MARKED ON PACKAGE		
-	-	<input checked="" type="checkbox"/>	-	-	MIL NO M24308 6-4F MARKED ON PACKAGE		
1	1	-	-	-	C 205107-2	RECEPTACLE ASSY-SIZE #4	4
-	-	-	<input checked="" type="checkbox"/>	-	MILITARY P/N M24308/2-4F	STAMPED ON PACKAGE	
37	37	37	37	-	B 205090-1	CONTACT, SOCKET, SIZE 20	3
1	-	1	-	1	B 91067-2	INSERTION/EXTRACTION TOOL	2
-	-	1	1	1	C 205167-1	RECEPTACLE ASSY-SIZE #4	1
-	5	4	3	2	1	DWG SIZE NUMBER	NAME

205561
205561
205561
205561
205561

UNLESS OTHERWISE SPECIFIED DIMENSIONS ARE IN INCHES TOLERANCES ON: DECIMALS .# ANGLES .#

CONTRACT NO.
DR. *R.P. Matthews* 6-25-71
CHK. *[Signature]* 6/30/71
APPD. *D. Bear* 6-30-71
REL. *R. Holliday* 7/2/71
DSGN APPD.
OTHER APPD.

AMP AMP INCORPORATED
HARRISBURG, PENNSYLVANIA

NAME: KIT, HDM-20 SERIES, RECPT., SIZE #4, 37 POSITION

SIZE: **B** CODE IDENT NO.: 00779 NUMBER: 205561 REV: **F**

SCALE: # SHEET: 1 OF 1

PRINT DIST. LOC. DF