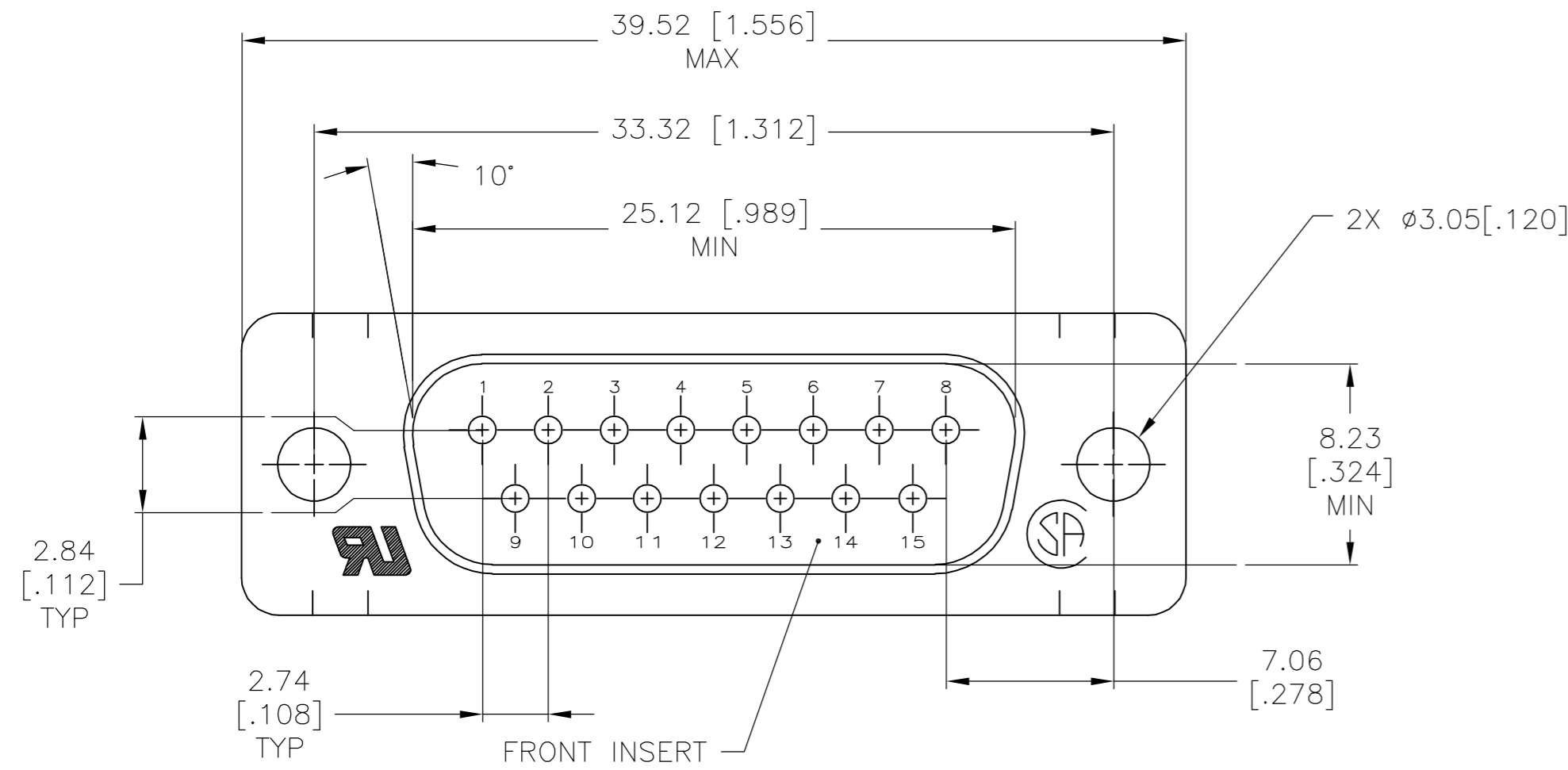
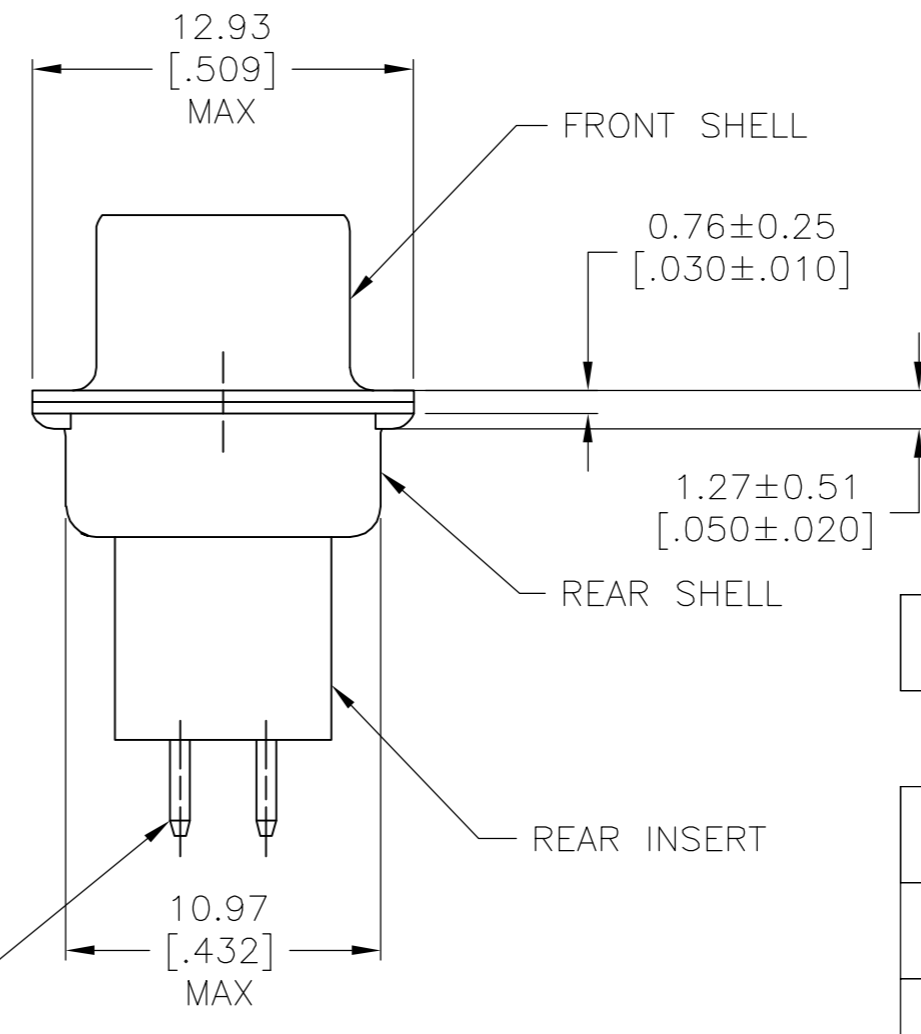
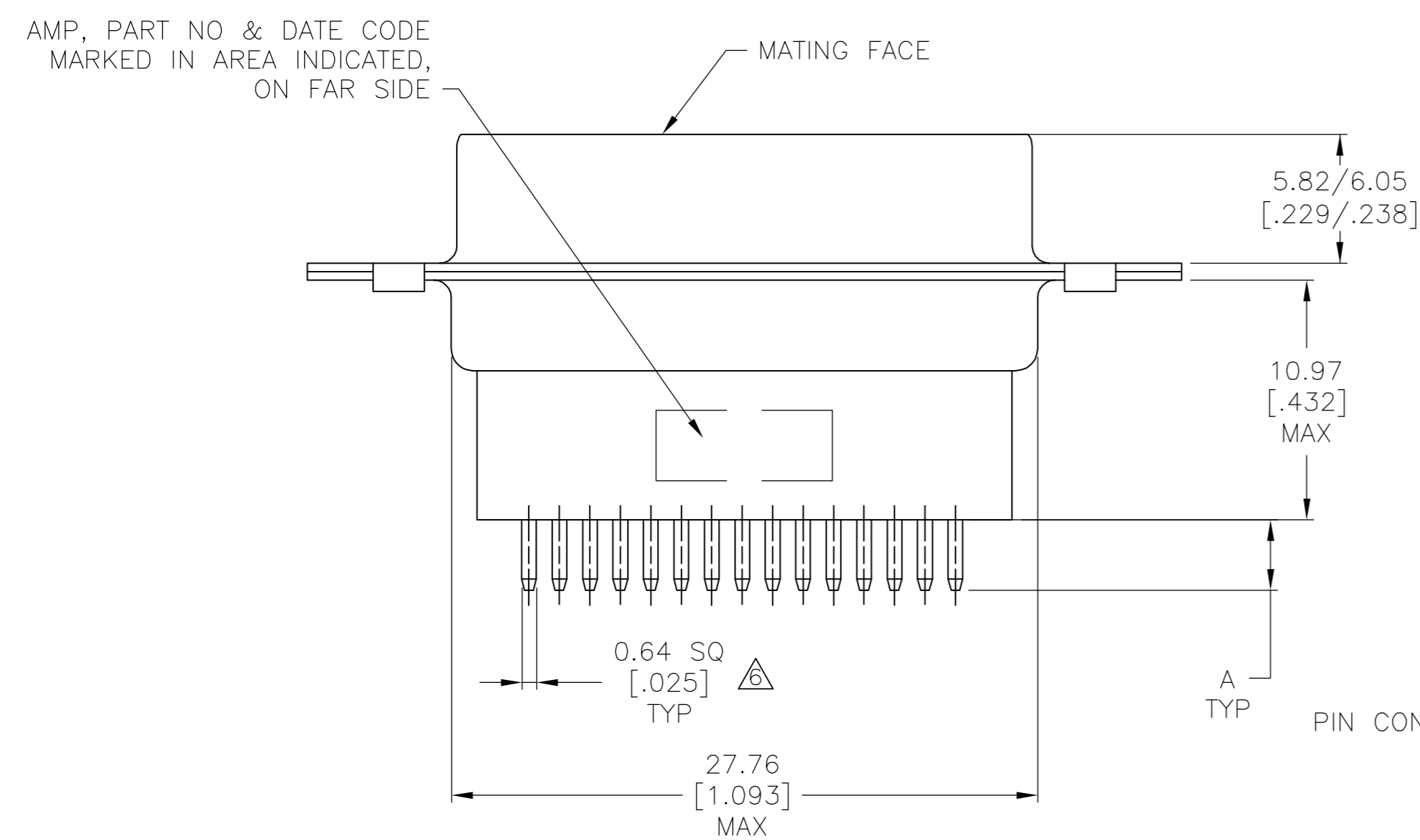


THIS DRAWING IS UNPUBLISHED. RELEASED FOR PUBLICATION
 © COPYRIGHT 2005 BY TYCO ELECTRONICS CORPORATION. ALL RIGHTS RESERVED.

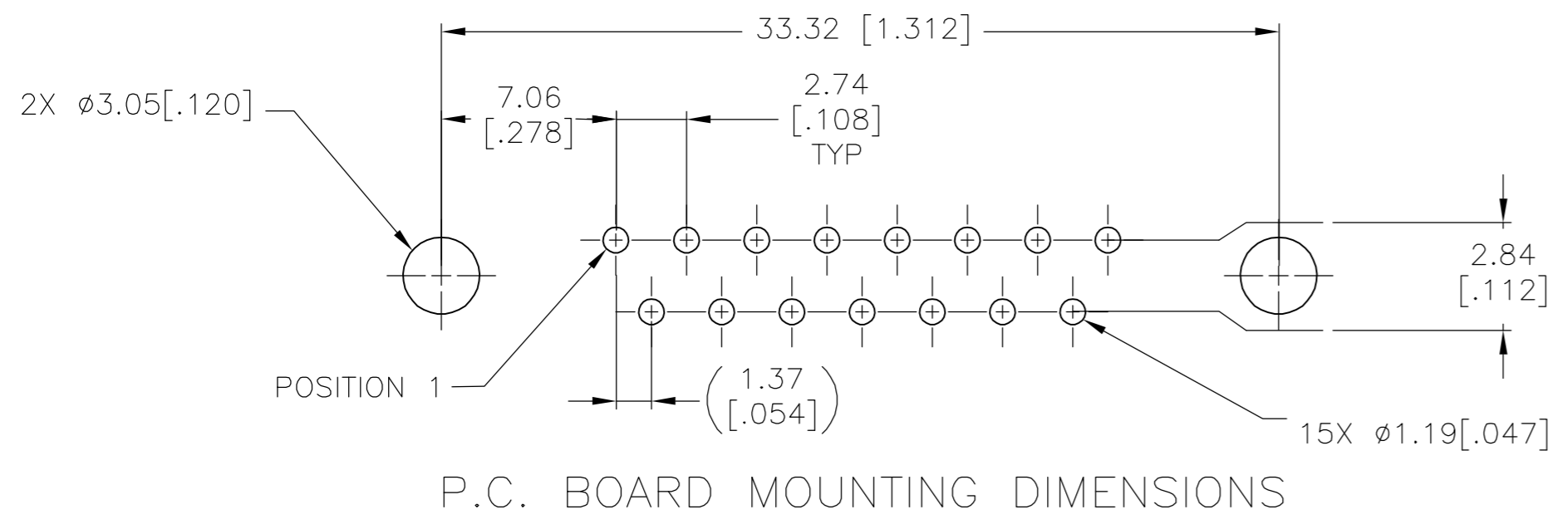
Loc		DIST		REVISIONS			
P	LTR	DESCRIPTION	DATE	DWN	APVD		
GP	00	W	REVISED PER ECO-06-024575	24JAN07	JDP	EDB	



- ⚠ MOLDED PARTS: GLASS-FILLED NYLON, BLACK, UL 94V-0 RATED.
SHELLS: CARBON STEEL
CONTACTS: BRASS
- ⚠ SHELLS: 5.08µm [.000200] MIN ZINC WITH YELLOW CHROMATE COATING.
CONTACTS: GOLD PLATED FOR LENGTH OF 3.81 [.150] MIN FROM MATING END,
0.76µm [.000030] MIN GOLD IN MATED AREA,
2.54µm [.000100] MIN TIN-LEAD ON SOLDER END, BOTH OVER
1.27µm [.000050] MIN NICKEL.
OR
GOLD FLASH OVER PALLADIUM NICKEL PLATED FOR LENGTH OF
3.81 [.150] MIN FROM MATING END,
0.76µm [.000030] MIN PALLADIUM NICKEL IN MATED AREA,
2.54µm [.000100] MIN TIN-LEAD ON SOLDER END, BOTH OVER
1.27µm [.000050] MIN NICKEL.
- 3. THIS PLUG ACCEPTS SIZE 20 PIN CONTACTS PER AMP DWG 66481.
- 4. RETENTION TINES ARE AN INTEGRAL PART OF INSERT.
- 5. FOR MATING PART SEE DWG 205733.
- ⚠ POST TIPS FALL WITHIN .020 DIA TRUE POSITION OF EACH OTHER.



SUPSD BY 205735-7	-	-	205735-8
	⚠	4.78 [.188]	205735-7
SUPSD BY 205735-5	-	-	205735-6
SUPSD BY 745411-1	-	16.54 [.651]	205735-5
SUPSD BY 745411-1	-	10.85 [.427]	205735-4
OBSOLETE	-	-	205735-3
SUPSD BY 205735-1	-	-	205735-2
SUPSD BY 745411-1	-	3.18 [.125]	205735-1
	FINISH	A	PART NUMBER



THIS DRAWING IS A CONTROLLED DOCUMENT.

DIMENSIONS: mm [INCHES]	TOLERANCES UNLESS OTHERWISE SPECIFIED:	DWN J. POLIGNONE 01FEB07	Tyco Electronics Corporation Harrisburg, Pa 17105-3608
0 PLC ± -	1 PLC ± -	CHK E. BRIANT 01FEB07	
2 PLC ± 0.13 [.005]	3 PLC ± -	APVD E. BRIANT 01FEB07	NAME PLUG ASSY, SIZE 2, 15 POS, VERTICAL, AMPLIMITE HDP
4 PLC ± -	ANGLES ± 2°	PRODUCT SPEC 108-40025	SIZE A2 CAGE CODE 00779 DRAWING NO C=205735
MATERIAL 1	FINISH 2	APPLICATION SPEC -	RESTRICTED TO -
		WEIGHT -	SCALE 4:1 SHEET 1 OF 1 REV W
CUSTOMER DRAWING			