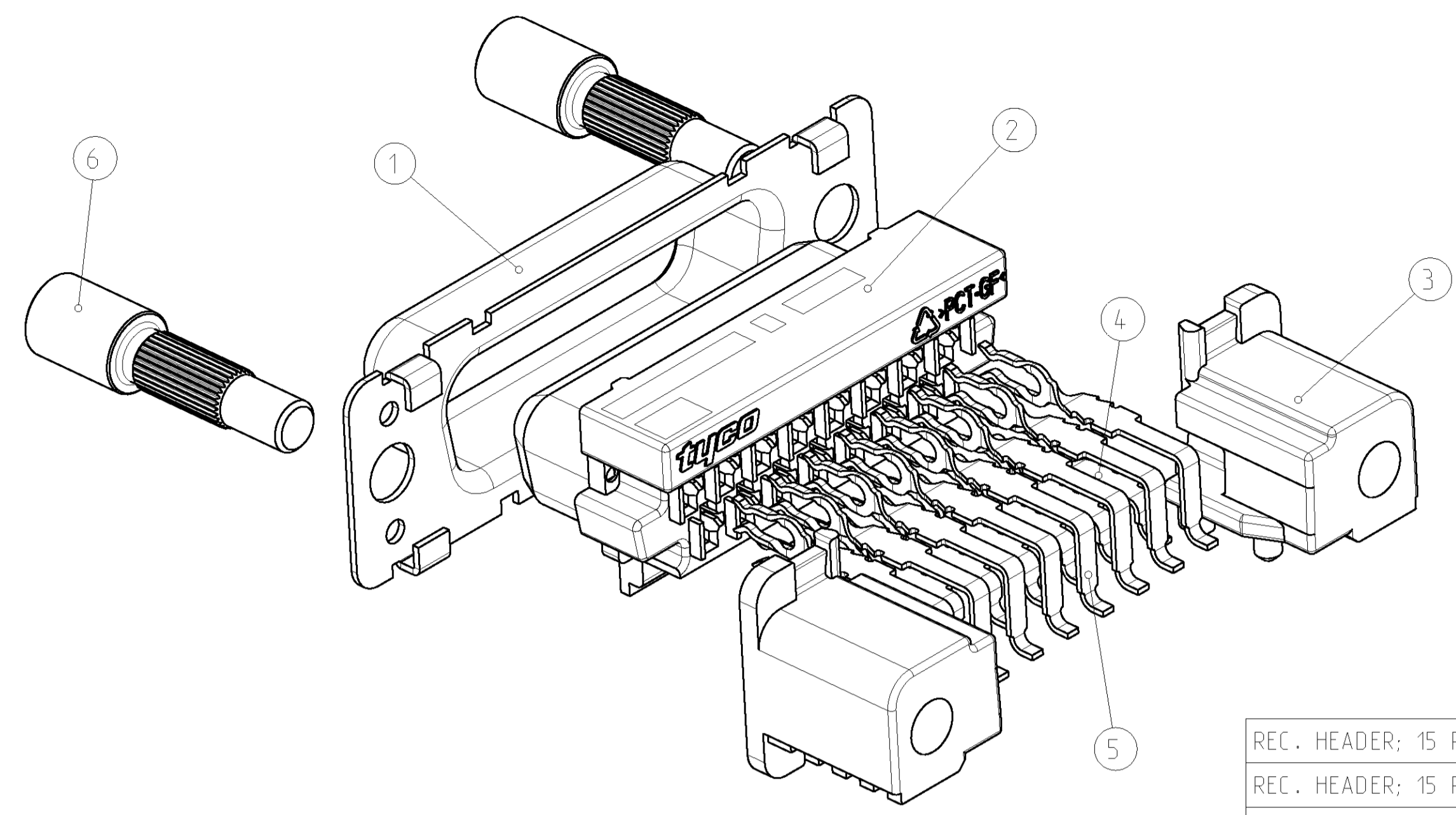
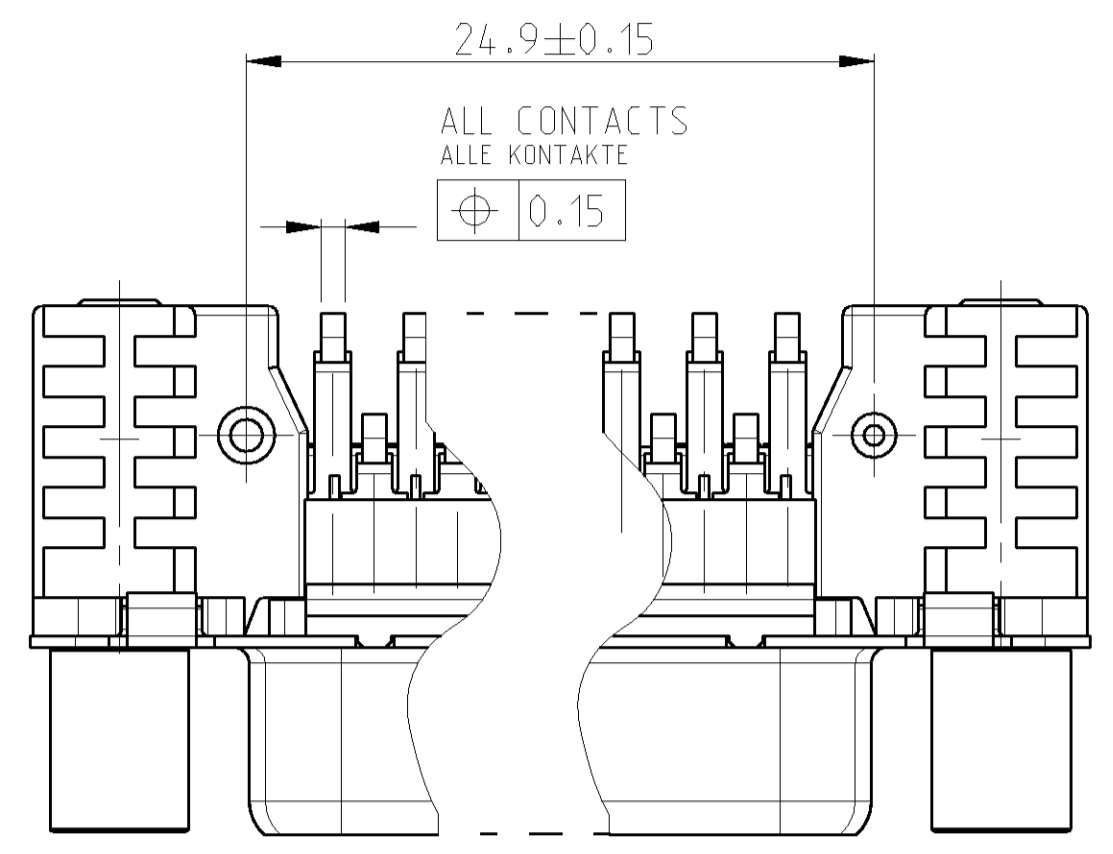
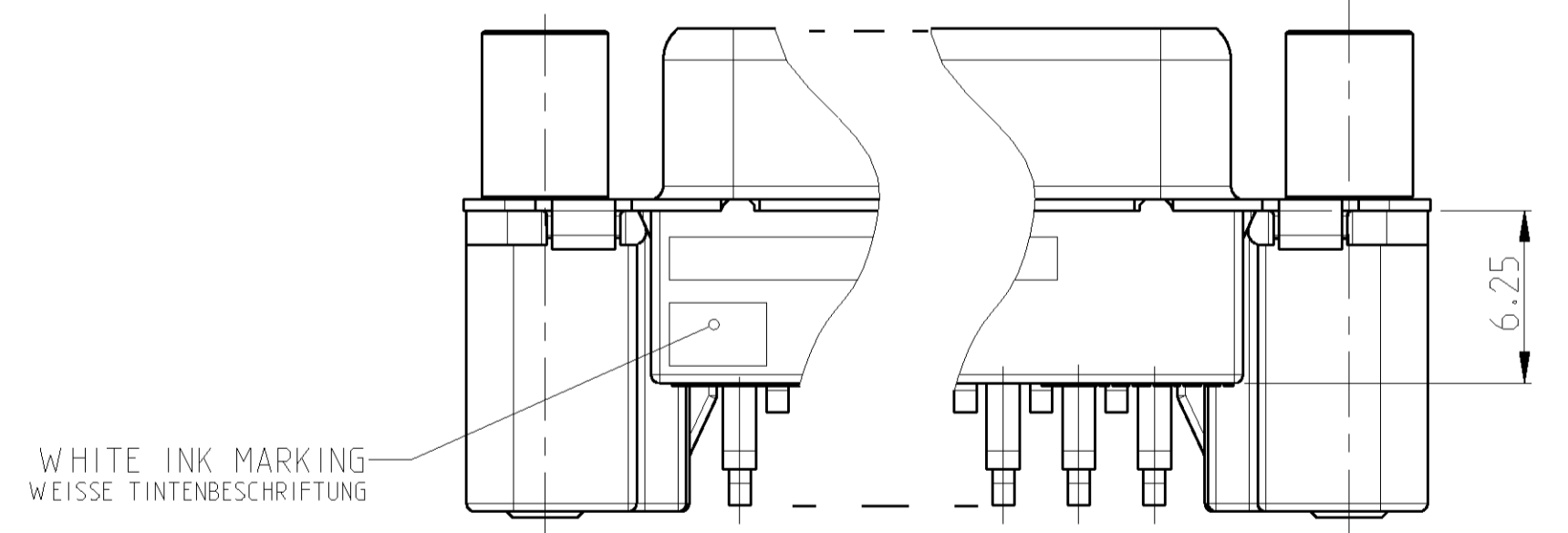
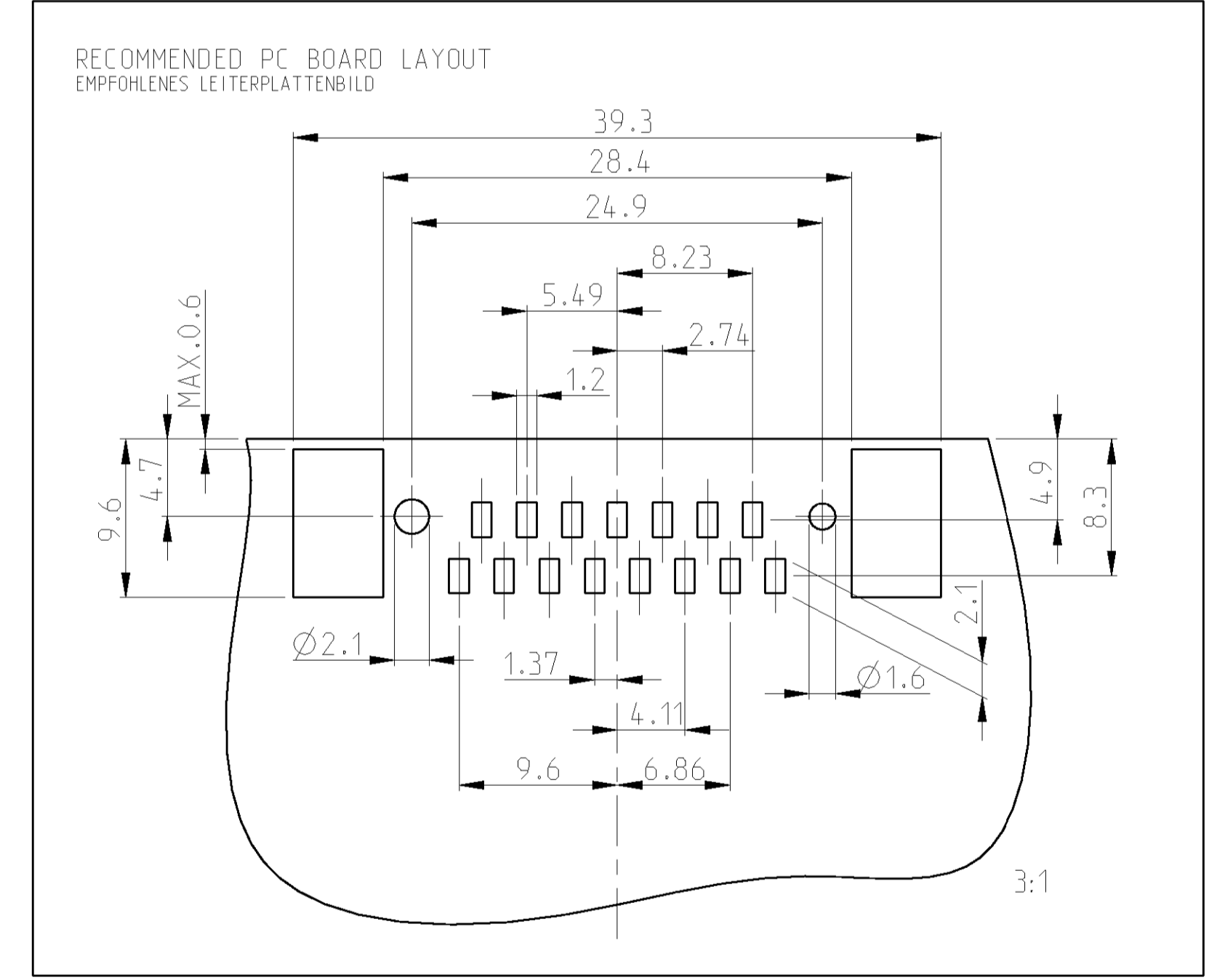
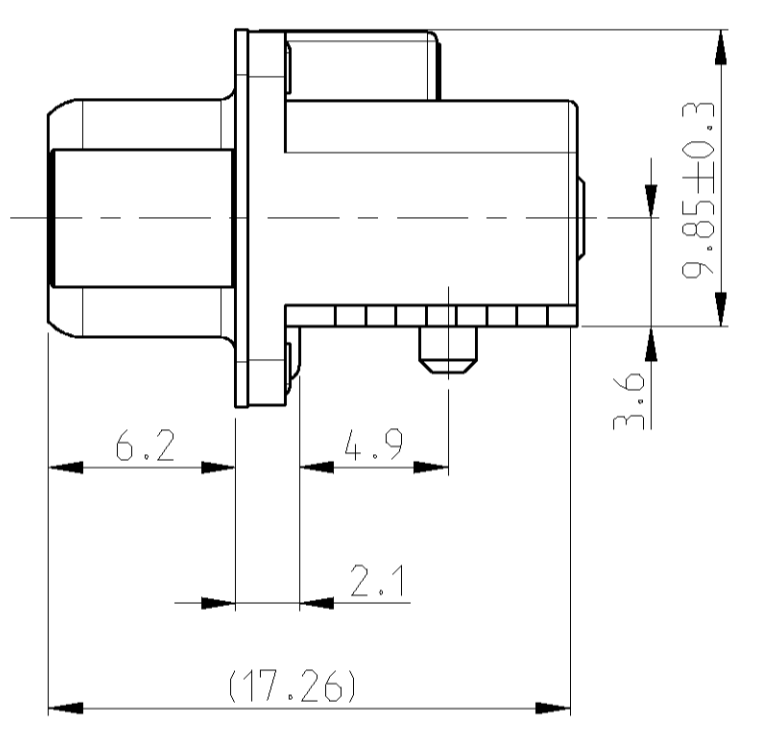
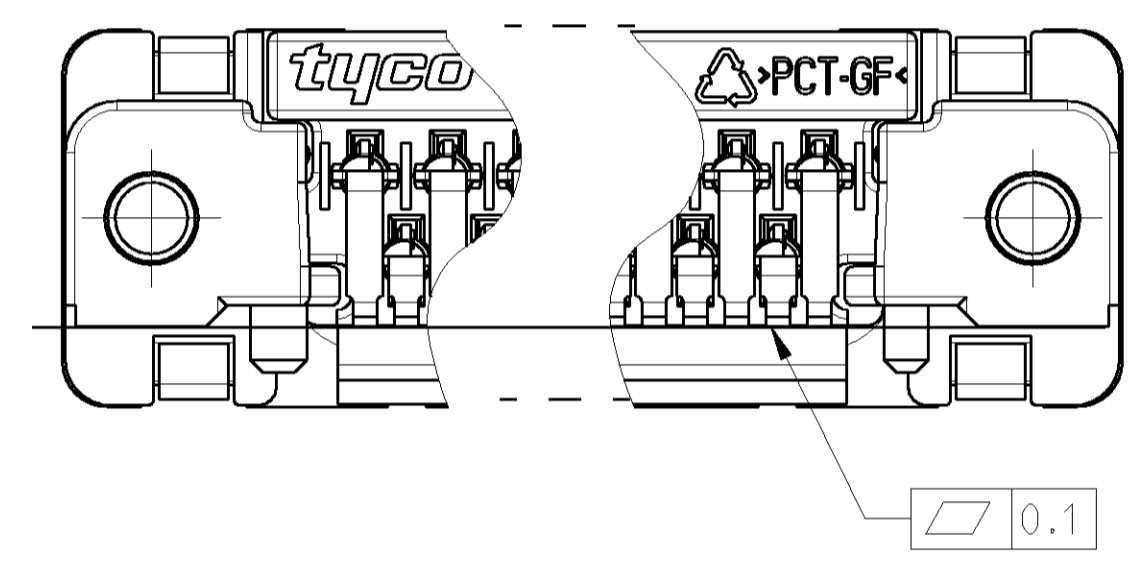


LOC	DIST	REVISIONS					
A1	-	P	LTR	DESCRIPTION	DATE	DWN	APPR
PROJEKT NR.:		EGSDM03028		BEZUGSBEZEICHNUNG			
A1	-			NEW DRAWING	30NOV2004	L.S.	G.F.
A2	-			VERSIONS XXX-5 ADDED	10NOV2005	L.S.	M.S.
A3	-			DWG. TITEL CHANGED	09JAN2006	L.S.	M.S.
A4	-			DIM. 2.1 ADDED	22SEP2006	ACK	MS

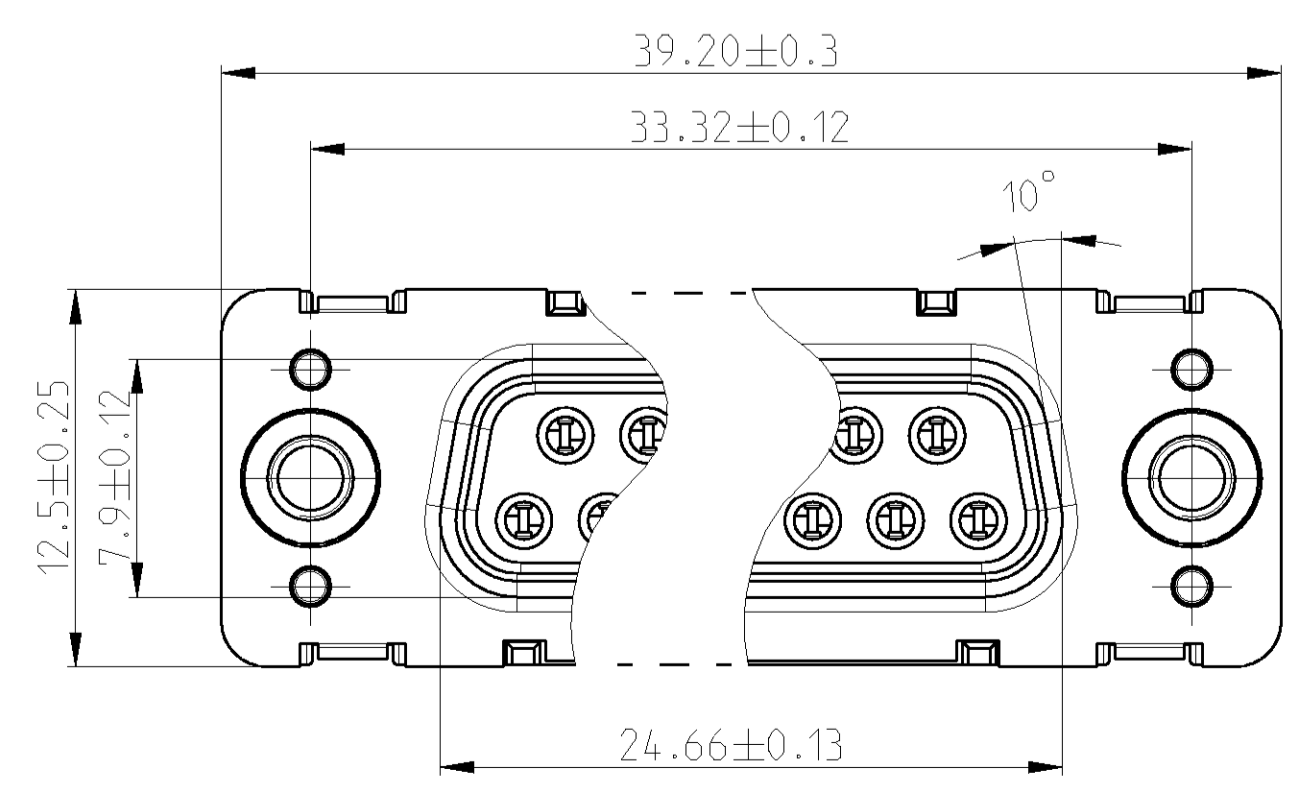


REC. HEADER; 15 POS.; STUD WITH THREAD M3	4-1740196-2	4-1740196-5
REC. HEADER; 15 POS.; BRACKET WITH THREAD M3	2-1740196-2	2-1740196-5
REC. HEADER; 15 POS.; STUD WITH THREAD UNC 4/40	3-1740196-2	3-1740196-5
REC. HEADER; 15 POS.; BRACKET WITH THREAD UNC4-40	1-1740196-2	1-1740196-5
REC. HEADER; 15 POS.; BRACKET WITH HOLE Ø3.1	0-1740196-2	0-1740196-5
DESCRIPTION	SHELL PLATING: TIN OVER NI	SHELL PLATING: NI



- REMARKS:
- △ CONTACT AREA: min. 0.8µm Au OVER 1.27 µm Ni ;  
SOLDER AREA: 3-5 µm Sn OVER min. 1.27 µm Ni
  - 2 PACKAGING SEE SHEET 2
  - 3 CONNECTOR SUITABLE FOR LEAD-FREE SMT SOLDER PROCESS
  - △ TIN OVER NICKEL

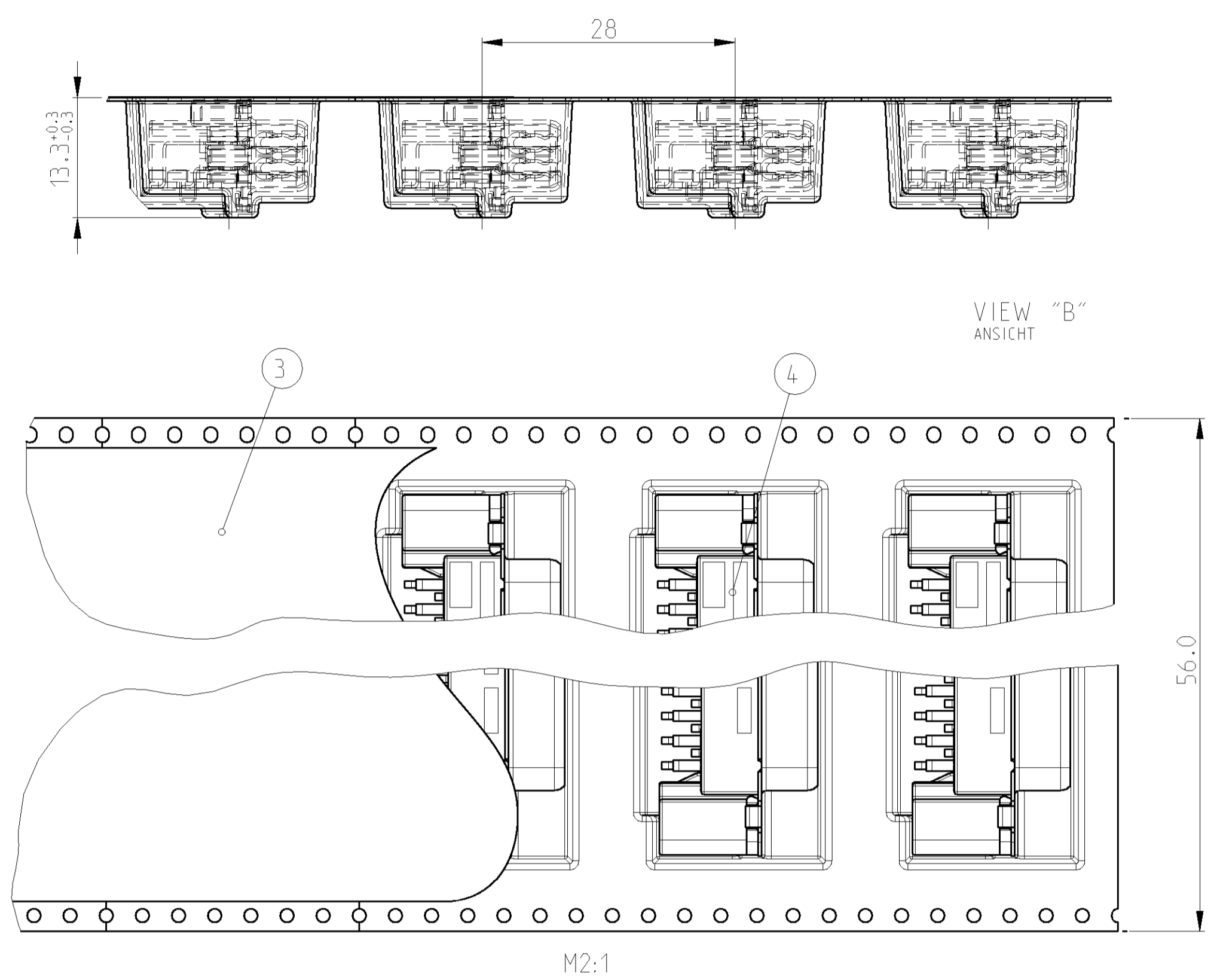
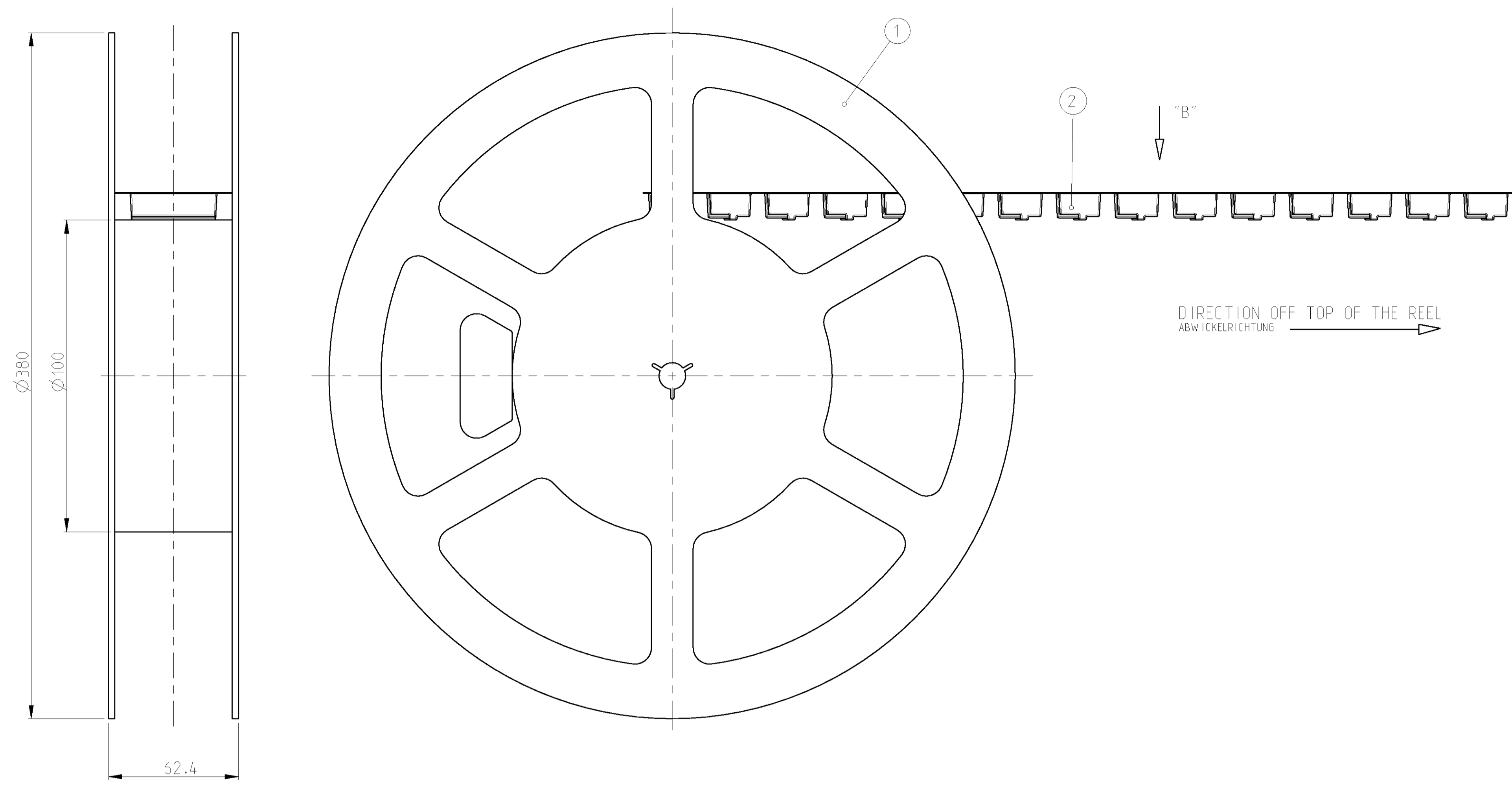
- BEMERKUNGEN:
- △ KONTAKTBEREICH: min. 0,8µm Au ÜBER 1,27 µm Ni ;  
LÖTBEREICH: 3-5 µm Sn ÜBER min. 1,27 µm Ni
  - 2 VERPACKUNGSART SIEHE BLATT 2
  - 3 STECKER GEEIGNET FÜR BLEIFREIES SMT LÖTEN
  - △ ZINN ÜBER NICKEL



POS.	QTY.	DESCRIPTION	BENENNUNG	SURFACE	COLOUR/FARBE	MATERIAL
6	2	THREAD STUD	GEWINDEBOLZEN	NICKEL		STEEL
5	8	REC. CONTACT, SMD, LONG	BUCHSENKONTAKT, SMD, LANG	△		CuMg
4	7	REC. CONTACT, SMD, SHORT	BUCHSENKONTAKT, SMD, KURZ	△		CuMg
3	2	BRACKET, SMD, LEFT/RIGHT	BUCHSENGEHÄUSE	△		CAST METAL
2	1	REC. HOUSING	BUCHSENGEHÄUSE	BLACK	SCHWARZ	PCT-GF
1	1	SHELL	SCHIRMBLECH	SEE TABLE	OBERFLÄCHE	STEEL
					COLOUR/FARBE	STAHL

TYPY: 1. SCHLÜSSEL 30NOV2004 1. SCHLÜSSEL 30NOV2004 01DEC2004 M. SCHAARBSCHMIDT		<b>tyco</b> Electronics Tyco Electronics AMP GmbH D - 64625 Bensheim	
DIMENSIONS: 0.2 MASSENHEITEN: (mm)		NAME: HDP20 REC. HEADER; SMT; 15 POS. PRODUCT SPEC: HDP20 BUCHSENSTECKER; SMT; 15 POL. APPLICATION SPEC: EUROSTYLE VERARBEITUNGSSPEZ.	
MATERIAL: SEE TABLE S-TABELLE		SIZE: A1 CAGE CODE: 00779 DRAWING NO: 1740196	
CUSTOMER DRAWING		SCALE: 5:1 SHEET: 1 OF 2 REV: A4	

LOC	DIST	P	LTR	REVISIONS	DATE	DRN	APPR
A1	-	-	-	SEE SHEET 1	-	-	-



- REMARKS:**
- COVER TAPE WITH BLISTER BELT WELDED OR PASTED
  - BLISTER BELT, COVER AND TAPE ACC. TO DIN/IEC 286 PART 3
  - FIRST AND LAST RUNNING OF THE CARRIER TAPE ACC. TO DIN/IEC 286 PART 3
  - 7m BLISTERBELT AND 7.1m COVER TAPE, 225 LOOSE PIECE PARTS

- BEMERKUNGEN:**
- ABDECKBAND MIT BLISTERGURT VERSCHWEIßT ODER VERKLEBT
  - BLISTERGURT, ABDECKBAND UND REEL NACH DIN/IEC 286 TEIL 3
  - VOR- UND NACHLAUF AM BLISTERGURT NACH DIN/IEC 286 TEIL 3
  - 7m BLISTERGURT UND 7.1m ABDECKBAND, 225 EINZELTEILE

TYCO ORDER NO. BESTELL-NR.	POS.	4-1740196-5	3-1740196-5	2-1740196-5	1-1740196-5	0-1740196-5	DESCRIPTION	SURFACE OBERFLAECHE COLOUR/FARBE	MATERIAL
1740196	4	225	-	-	-	-	SUB-D REC. HEADER, 15 POS., STUD M3 SUB-D BUCHSENSTECKER, 15 POL., BOLZEN M3	-	-
	4	-	225	-	-	-	SUB-D REC. HEADER, 15 POS., STUD UNC4-40 SUB-D BUCHSENSTECKER, 15 POL., BOLZEN UNC4-40	-	-
	4	-	-	225	-	-	SUB-D REC. HEADER, 15 POS., M3 SUB-D BUCHSENSTECKER, 15 POL., M3	-	-
	4	-	-	-	225	-	SUB-D REC. HEADER, 15 POS., UNC4-40 SUB-D BUCHSENSTECKER, 15 POL., UNC4-40	-	-
	4	-	-	-	-	225	SUB-D REC. HEADER, 15 POS. SUB-D BUCHSENSTECKER, 15 POL.	-	-
	3	7.1m	7.1m	7.1m	7.1m	7.1m	COVER BELT FOR BLISTER BELT ABDECKBAND FÜR BLISTERGURT	TRANSPARENT	PET
	2	7m	7m	7m	7m	7m	BLISTER BELT BLISTERGURT	GREY/BLACK GRAU/SCHWARZ	PS
1	1	1	1	1	1	REEL-PACKING MEHRWEGSPULE	GREY GRAU	PS	

DIMENSIONS: mm		TOLERANCES UNLESS OTHERWISE SPECIFIED:		DWN: 30NOV2004		Tyco Electronics AMP GmbH D - 64625 Bensheim	
		0 PLC ± 1 PLC ± 2 PLC ± 3 PLC ± 4 PLC ± ANGLES ±		NAME: H. FELDMEIER PRODUCT SPEC: APPLICATION SPEC: WEIGHT: - CUSTOMER DRAW ING:		NAME: HDP20 REC. HEADER; SMT; 15 POS. HDP20 BUCHSENSTECKER; SMT; 15 POL. EUROSTYLE SIZE: A1 CAGE CODE: 00779 DRAWING NO: C=1740196 SCALE: 5:1 SHEET: 2 OF 2 REV: A4	