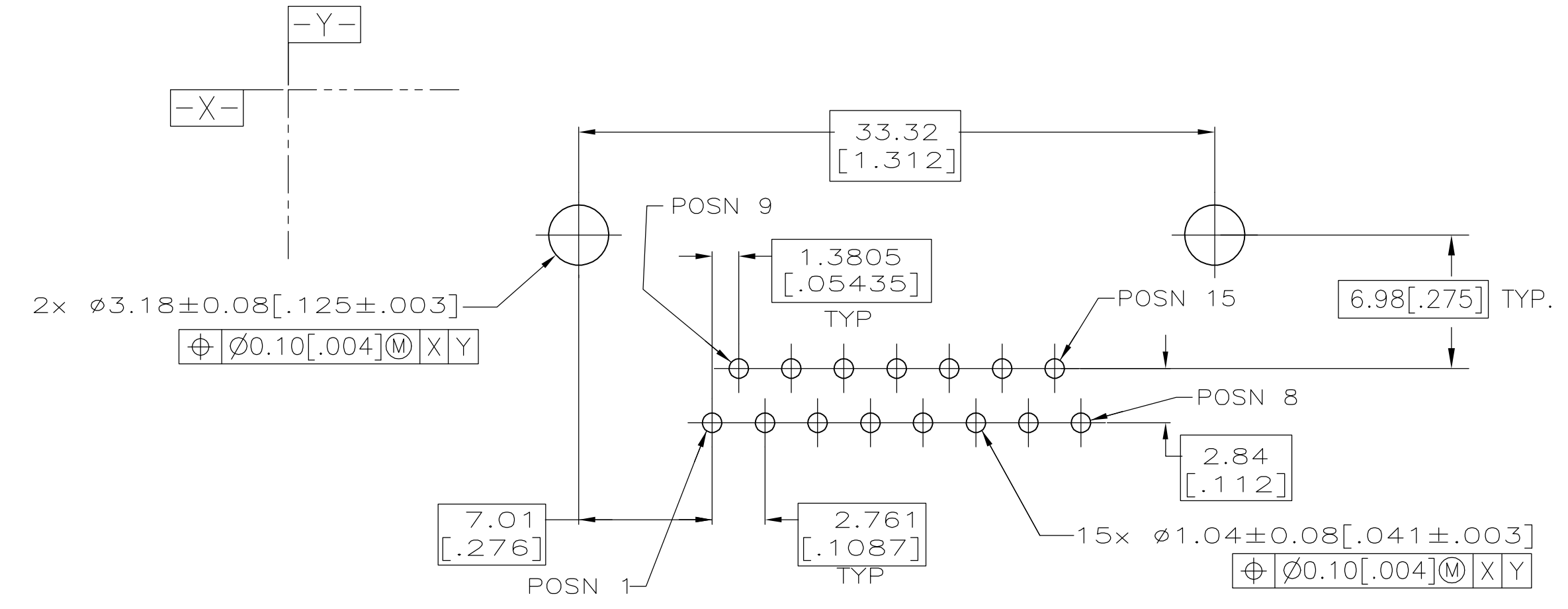
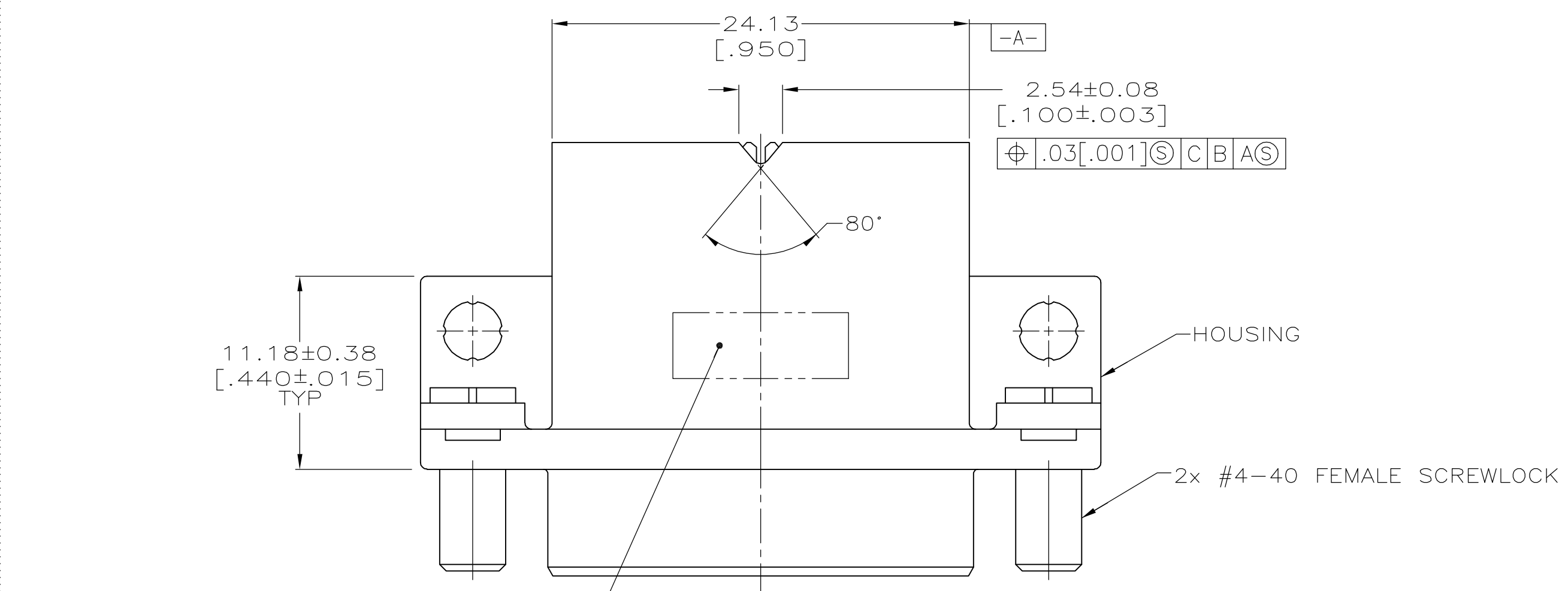
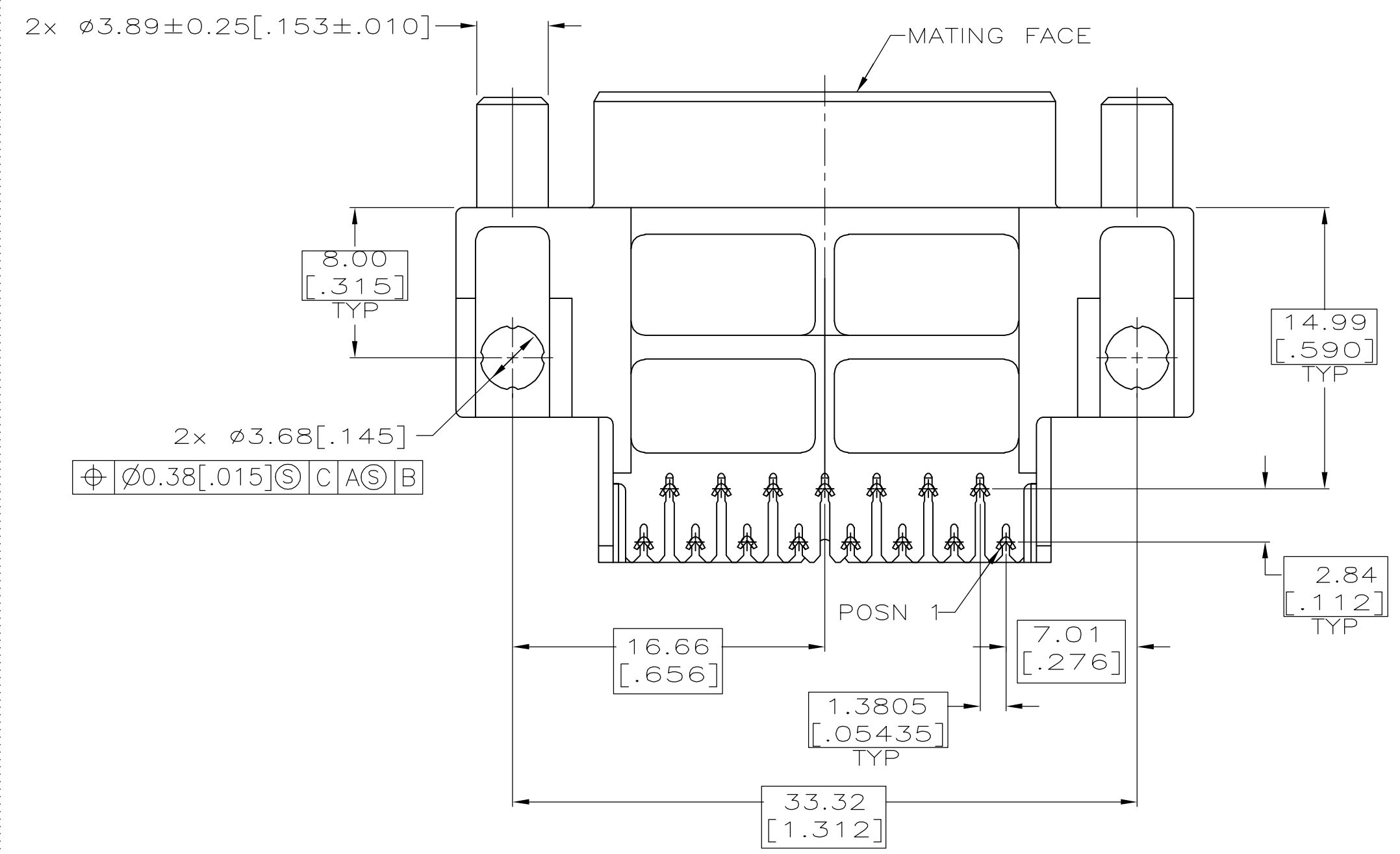
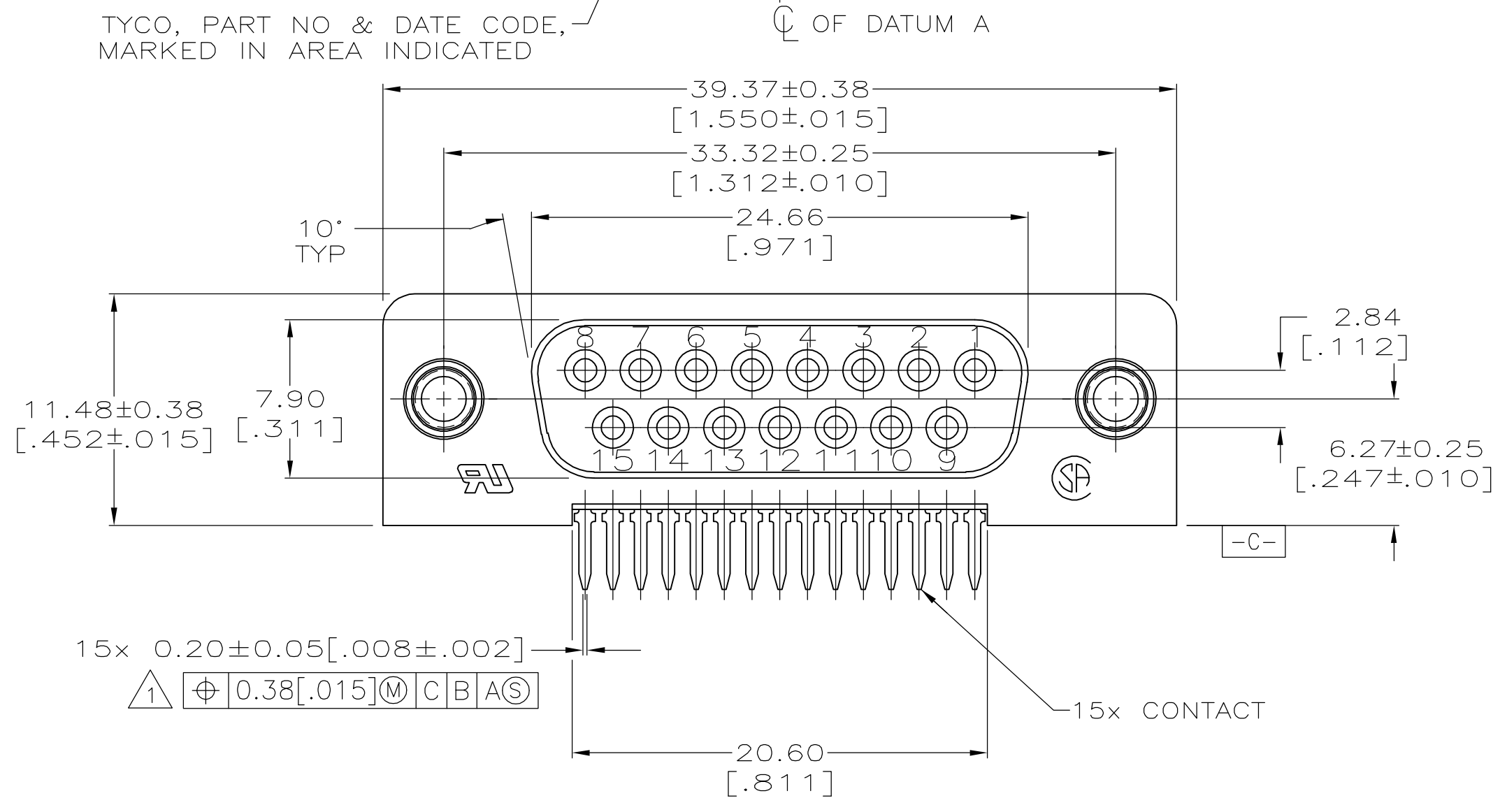
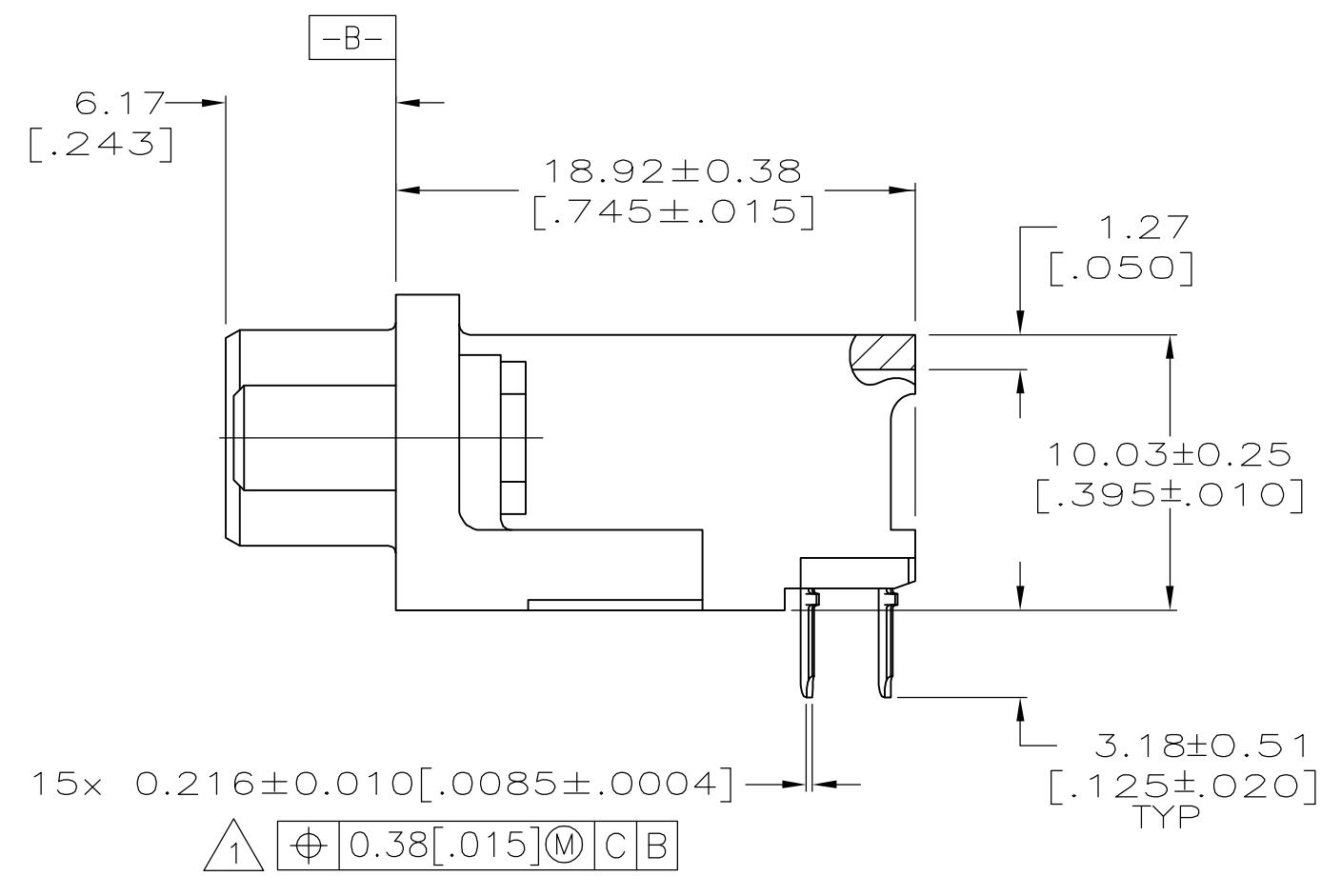


LOC	DIST	REVISIONS			
GP	00	P	LTR	DESCRIPTION	DATE
		0		RELEASED PER EC DS13-0087-05	21SEP05
					GP JG



PC BOARD MOUNTING DIMENSIONS

- ⚠ POSITION TOLERANCE APPLIES AT TIP ONLY.
- ⚠ HOUSING: FLAME RETARDANT UL94V-0 RATED, GLASS FILLED NYLON OR POLYESTER, COLOR BLACK.
- CONTACTS: PHOSPHOR BRONZE.
- SCREWLOCKS: ZINC
- ⚠ CONTACTS: 0.76 μm [0.00030] MIN GOLD FOR A LENGTH OF 1.52 [0.060] MIN FROM MATING END, 2.54 μm [0.0001] MIN TIN FOR A LENGTH OF 3.68 [0.145] MIN FROM OPPOSITE END, BOTH OVER 1.27 μm [0.00050] MIN NICKEL.
- SCREWLOCKS: CLEAR CHROMATE COATING.



**COPYRIGHT 2005
TYCO ELECTRONICS CORP
ALL RIGHTS RESERVED**

THIS DRAWING IS A CONTROLLED DOCUMENT.		DWN G. PETERS 21SEP05	21SEP05	 Tyco Electronics Corporation Harrisburg, PA 17105-3608
DIMENSIONS: mm [INCHES]		CHK S. BOLASH 21SEP05	21SEP05	
TOLERANCES UNLESS OTHERWISE SPECIFIED:		APVD M. WALMSLEY 21SEP05	NMME	RECEPTACLE ASSEMBLY, SIZE 2, 15 POSN, ALL PLASTIC, RIGHT ANGLE, .590 SERIES, AMPLIMITE III
0 PLC ± -		PRODUCT SPEC	108-1226	
1 PLC ± -		APPLICATION SPEC	114-40027	RESTRICTED TO
2 PLC ± 0.13 [0.005]		WEIGHT	-	SIZE CAGE CODE DRAWING NO A1 00779 C=5748948
3 PLC ± -		SCALE	4:1	
4 PLC ± -		SHEET	1 OF 1	
ANGLES ± 2		REV	0	