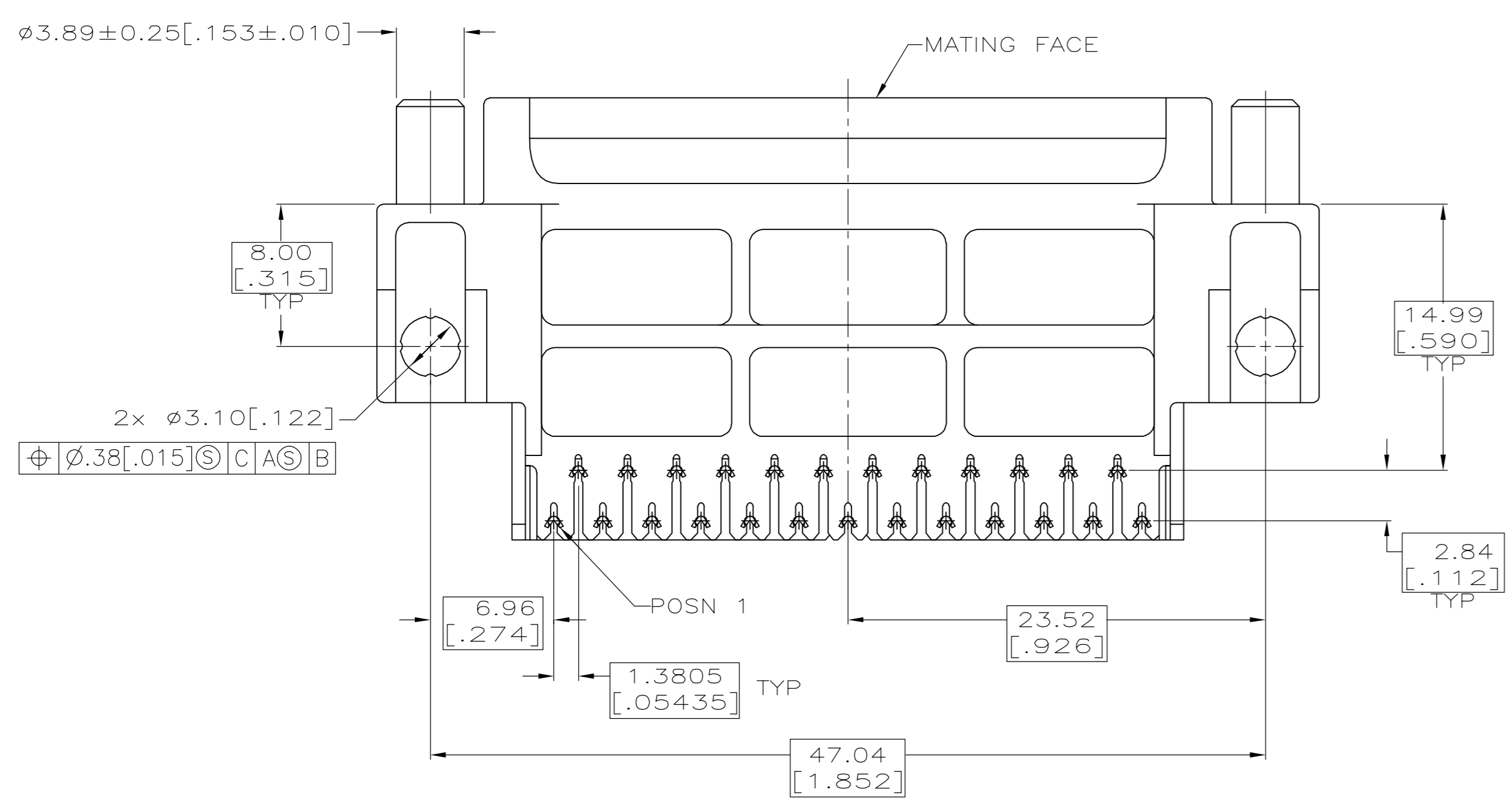


- ⚠ POSITION TOLERANCE APPLIES AT TIP ONLY.
- ⚠ HOUSING: FLAME RETARDENT UL94V-0 RATED, GLASS FILLED NYLON OR POLYESTER, COLOR BLACK.
- CONTACTS: BRASS.
- SCREWLOCKS: ZINC.
- ⚠ CONTACTS: GOLD PLATED FOR A LENGTH OF 3.81 [.150] MIN FROM MATING END, 0.76 μm [.000030] MIN GOLD IN MATED AREA, 2.54 μm [.0001] MIN TIN FOR A LENGTH OF 3.68 [.145] MIN FROM OPPOSITE END, BOTH OVER 1.27 μm [.000050] MIN NICKEL.
- SCREWLOCKS: CLEAR CHROMATE COATING.



5748953-1
PART NO

**COPYRIGHT 2005
 TYCO ELECTRONICS CORP
 ALL RIGHTS RESERVED**

THIS DRAWING IS A CONTROLLED DOCUMENT.		DWN: S. PETERS	22SEP05		Tyco Electronics Corporation Harrisburg, PA 17105-3608																						
DIMENSIONS: INCHES		CHK: S. BOLASH	22SEP05		APVD: M. WALMSLEY	NAME: PLUG ASSEMBLY, SIZE 3, 25 POSN, ALL PLASTIC, RIGHT ANGLE, .590 SERIES, AMPLIMITE III																					
TOLERANCES UNLESS OTHERWISE SPECIFIED:		<table border="1"> <tr><td>0 PLC</td><td>±</td><td>-</td></tr> <tr><td>1 PLC</td><td>±</td><td>-</td></tr> <tr><td>2 PLC</td><td>±</td><td>0.13 [005]</td></tr> <tr><td>3 PLC</td><td>±</td><td>-</td></tr> <tr><td>4 PLC</td><td>±</td><td>-</td></tr> <tr><td>ANGLES</td><td>±</td><td>±</td></tr> </table>		0 PLC	±	-	1 PLC	±	-	2 PLC	±	0.13 [005]	3 PLC	±	-	4 PLC	±	-	ANGLES	±	±	PRODUCT SPEC: 108-1226	APPLICATION SPEC: 114-40027	SIZE: A1	CAGE CODE: 00779	DRAWING NO: 5748953	RESTRICTED TO: -
0 PLC	±	-																									
1 PLC	±	-																									
2 PLC	±	0.13 [005]																									
3 PLC	±	-																									
4 PLC	±	-																									
ANGLES	±	±																									
MATERIAL:		FINISH:		WEIGHT: -	CUSTOMER DRAWING	SCALE: 4:1	SHEET: 1 OF 1	REV: 0																			