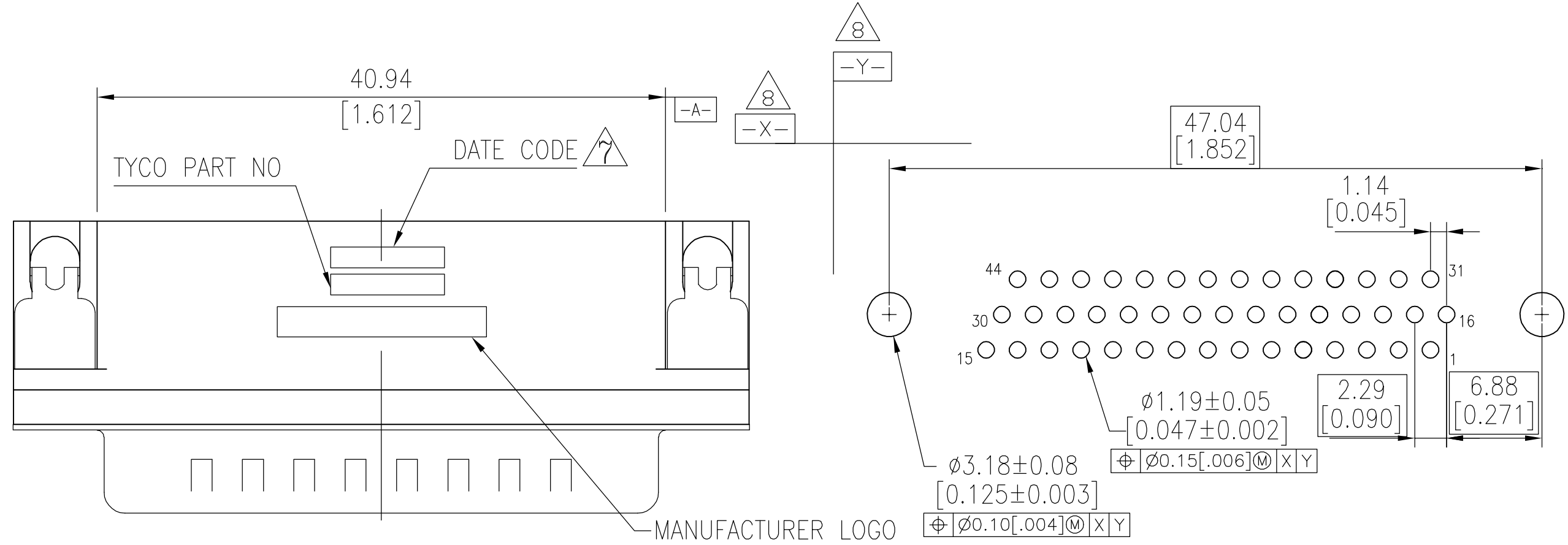
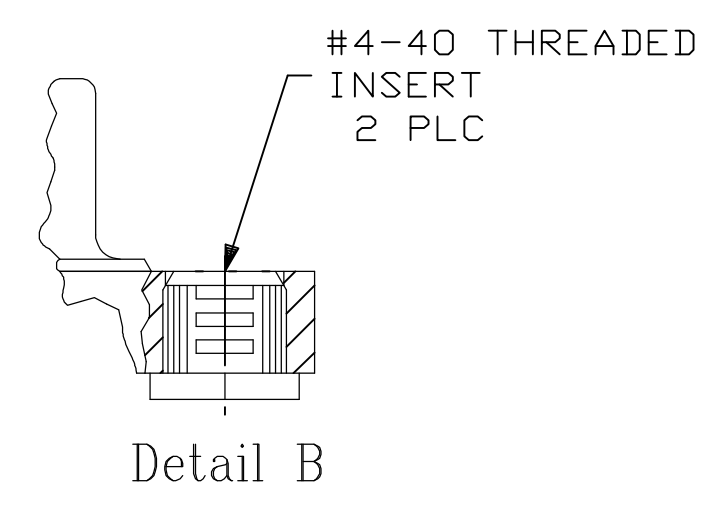
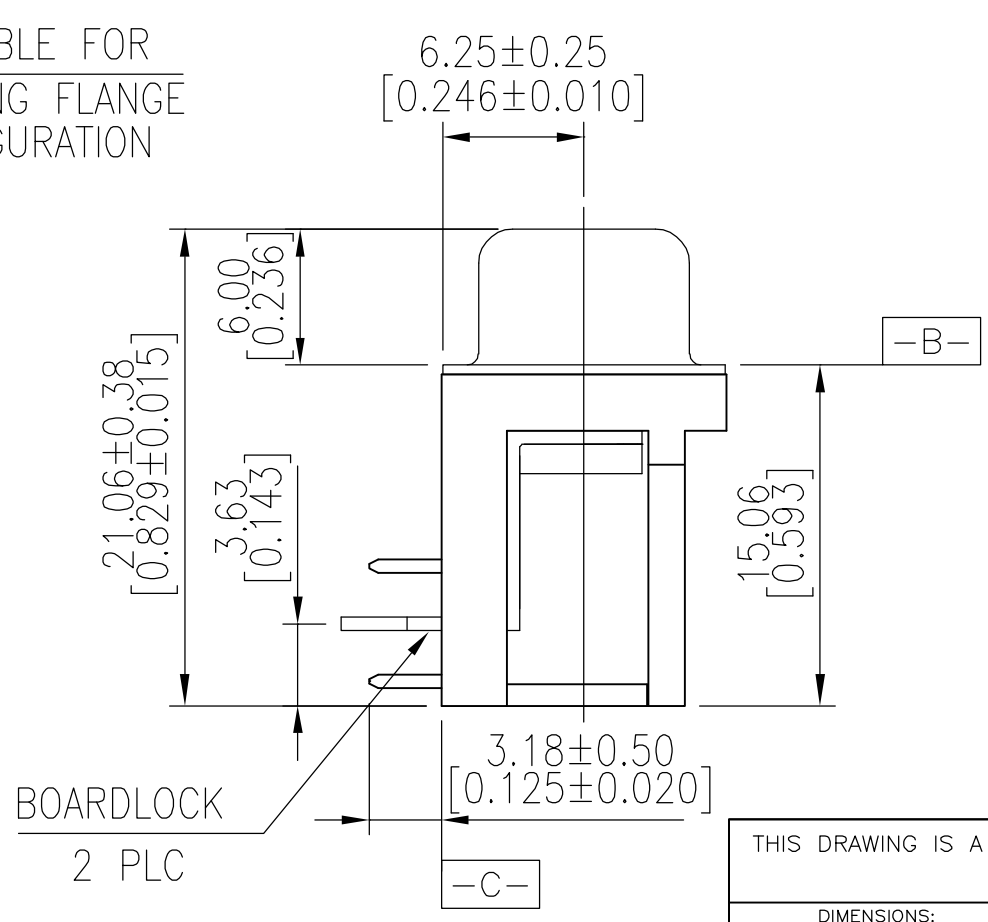
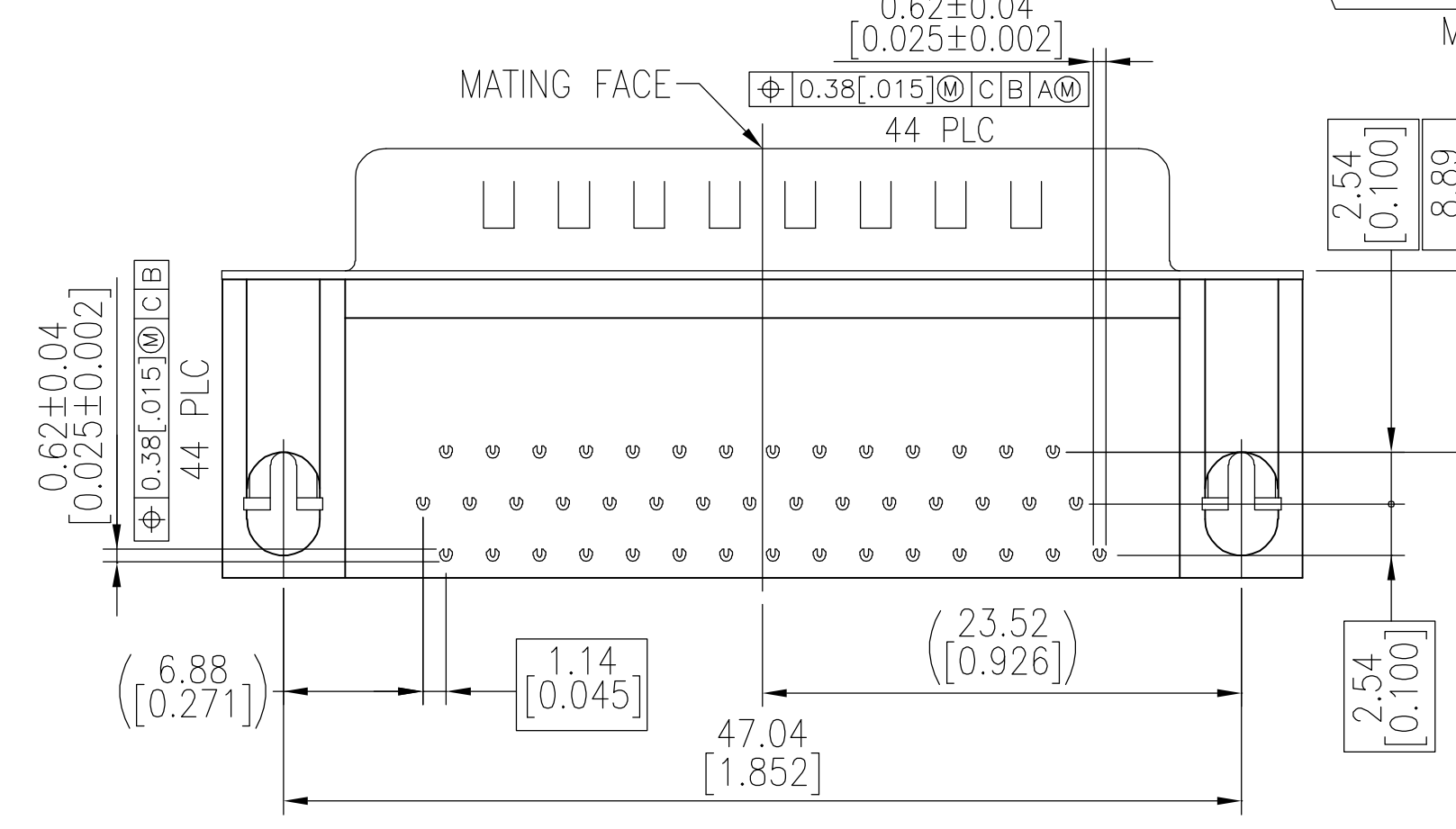
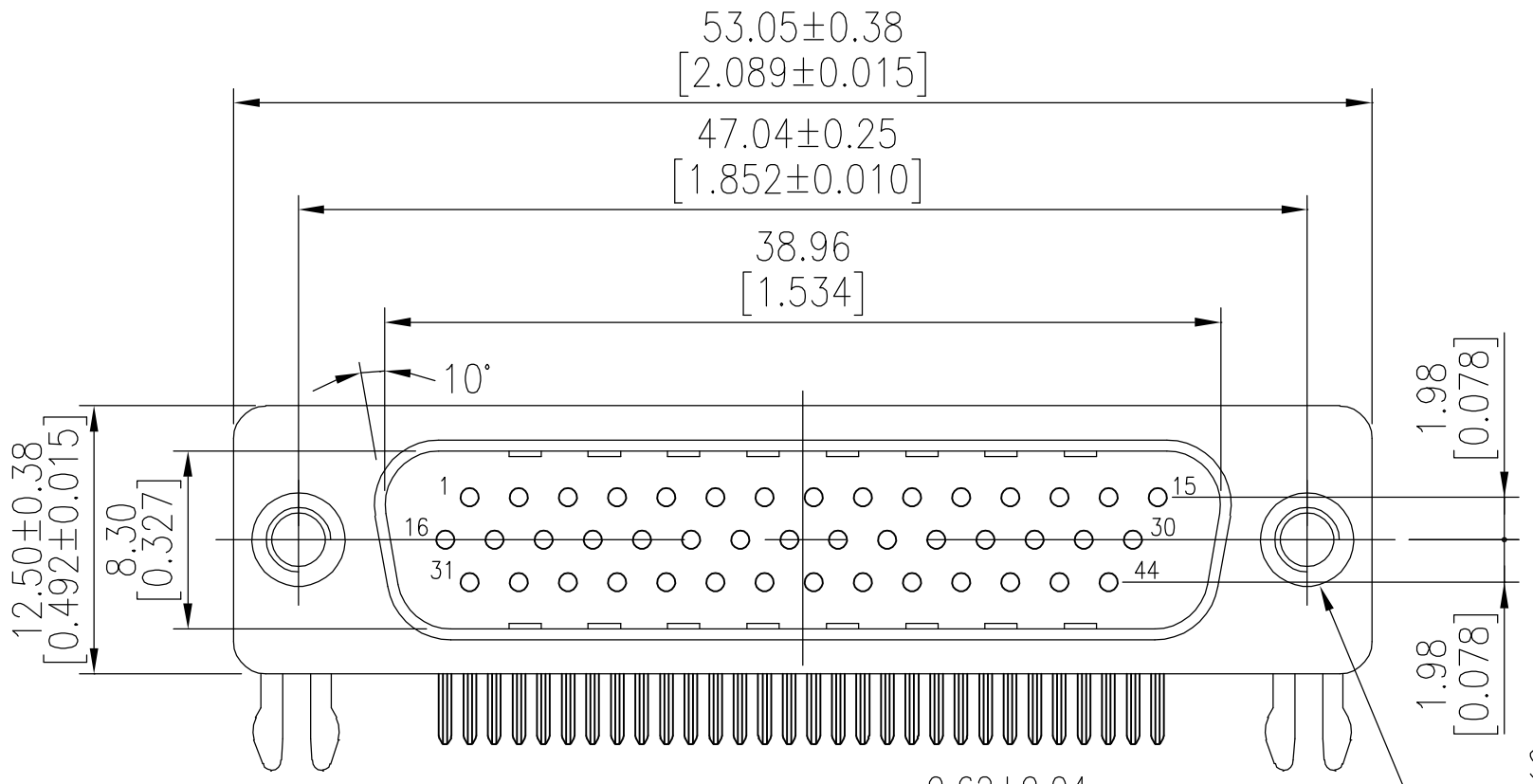


THIS DRAWING IS UNPUBLISHED. RELEASED FOR PUBLICATION  
 © COPYRIGHT BY TYCO ELECTRONICS CORPORATION. ALL RIGHTS RESERVED.

LOC		DIST		REVISIONS			
P	LTR	DESCRIPTION	DATE	DWN	APVD		
GP	00						
		0	RELEASED PER EC 0513-0056-05	17JUN05	BM	SB	



RECOMMENDED PCB LAYOUT



1. HOUSING MATERIAL: PBT, GLASS FILLED, BLACK, UL 94V-0 RATED.
2. CONTACT MATERIAL: PHOSPHOR BRONZE.
3. CONTACT FINISH: GOLD PLATE IN MATING AREA (SEE TABLE), 120µ" MIN TIN PLATE ON SOLDER TAIL, BOTH OVER 50µ" MIN NICKEL UNDERPLATE.
4. SHELL: STEEL, NICKEL PLATE.
5. BOARDLOCK: BRASS, 100µ" MIN TIN PLATE.
6. THREADED INSERTS: BRASS, NICKEL PLATE.

△ FOUR DIGIT DATE CODE IN THIS FORMAT.  
 Year 01 45 Manufacturing Week  
 △ DATUMS  $\square-X-$  &  $\square-Y-$  TO BE ESTABLISHED BY CUSTOMER.

Tray	Detail B	Gold flash	5749771-3
Tray	Detail B	15µ" MIN	5749771-2
Tray	Detail B	30µ" MIN	5749771-1
Packaging	Mounting Flange Configuration	CONTACT MATING AREA FINISH	PART NUMBER

DIMENSIONS:		TOLERANCES UNLESS OTHERWISE SPECIFIED:		APVD		NAME	
mm		0 PLC	± -	B. MCMASTER	22SEP05	tyco Tyco Electronics Corporation	
		1 PLC	± 0.30	S. BOLASH	22SEP05	Harrisburg, PA 17105-3608	
		2 PLC	± 0.20	M. WALMSLEY	22SEP05	AMPLIMITE HD-22	
		3 PLC	± 0.10			44 POS PLUG, RIGHT ANGLE	
		4 PLC	± -			SIZE	CAGE CODE
		ANGLES	± 2°			A2	00779
		FINISH	-			DRAWING NO	RESTRICTED TO
						C=5749771	-
MATERIAL						SCALE	SHEET
						3:1	1 of 1
						REV	0