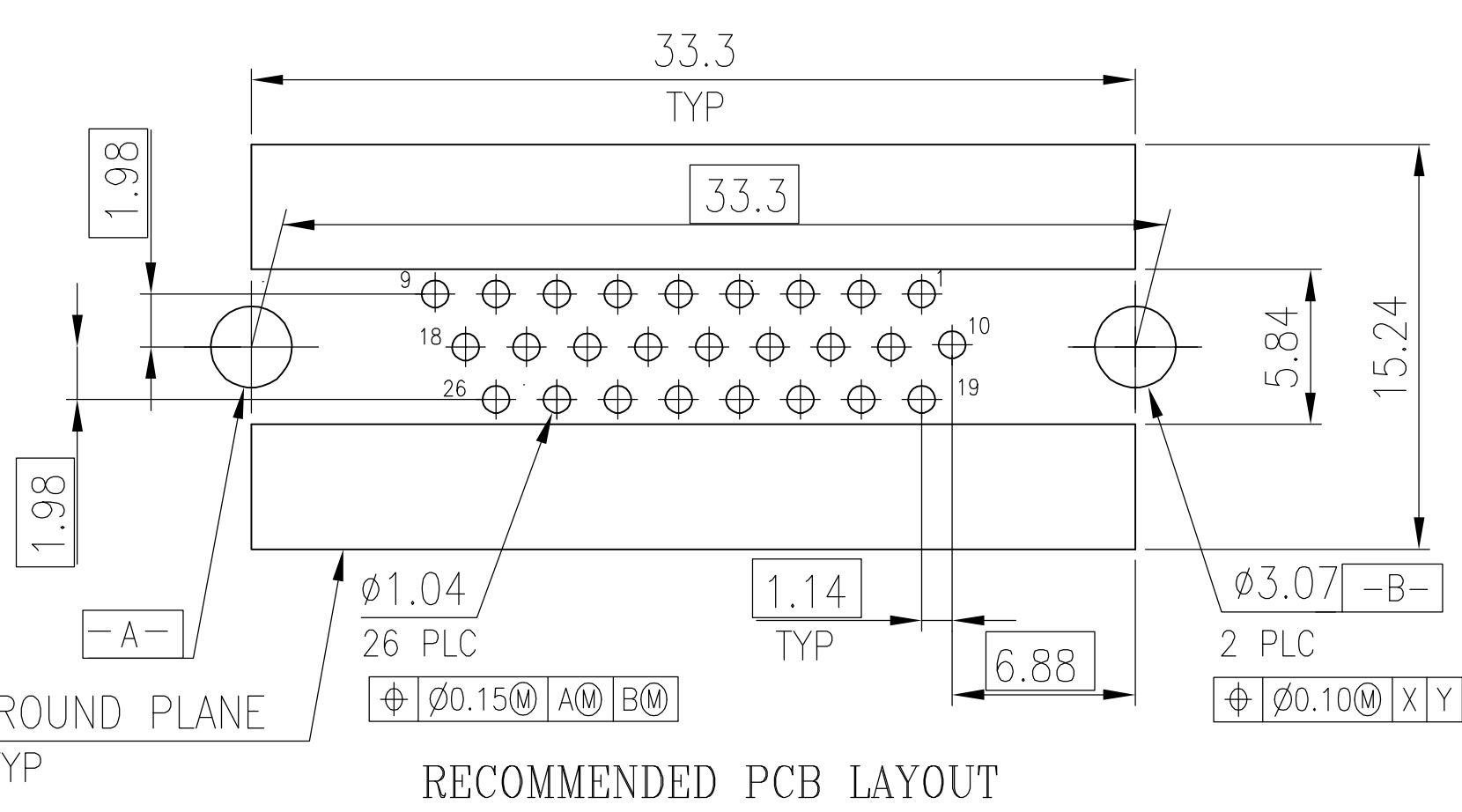
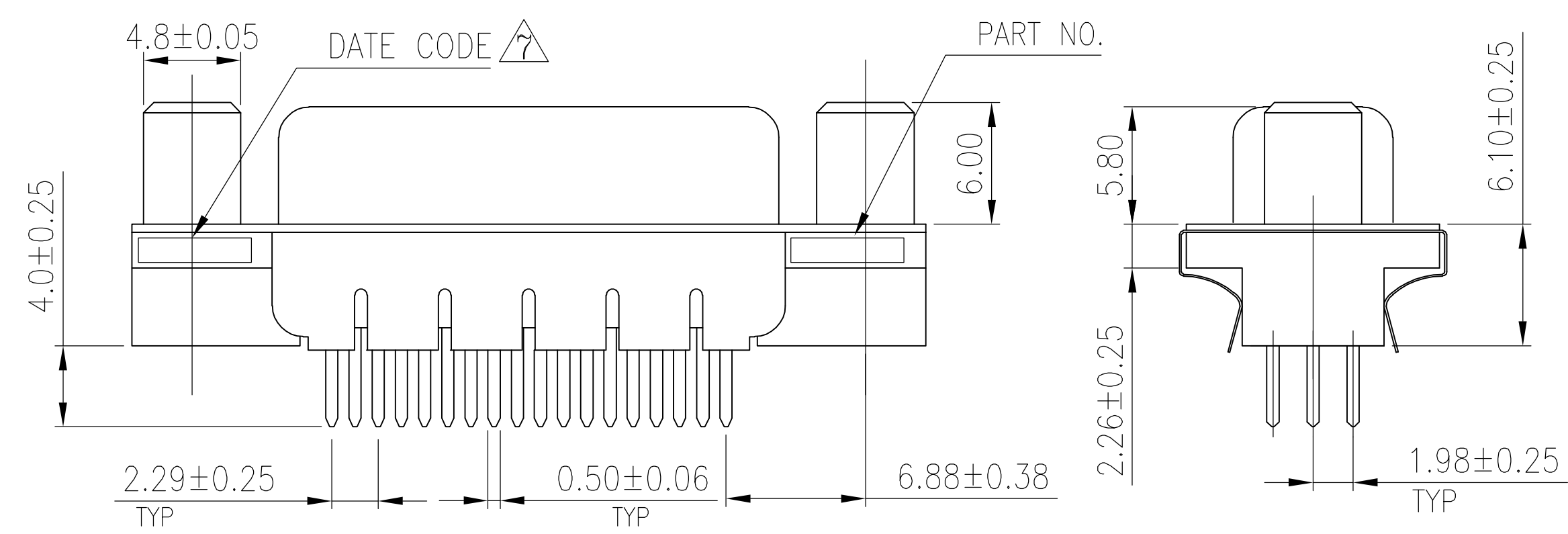
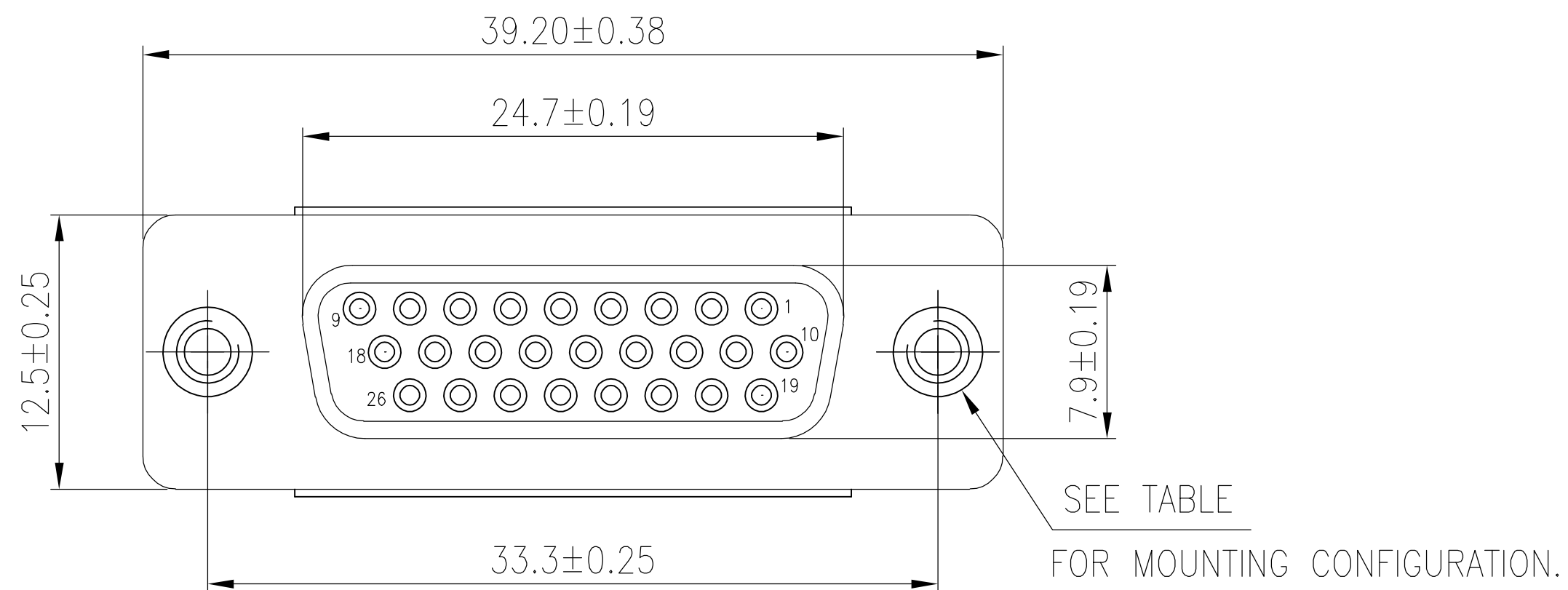


THIS DRAWING IS UNPUBLISHED. RELEASED FOR PUBLICATION  
 © COPYRIGHT BY TYCO ELECTRONICS CORPORATION. ALL RIGHTS RESERVED.

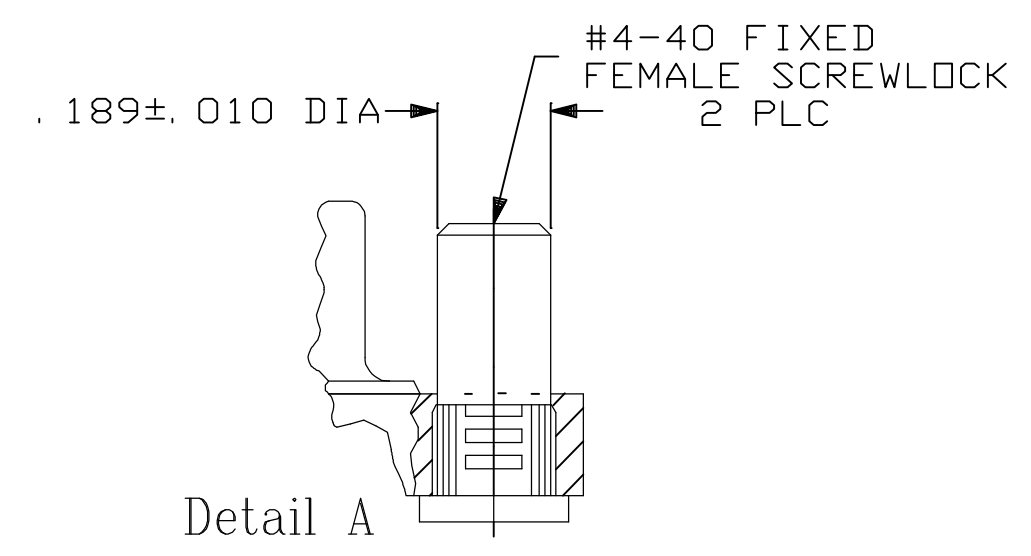
LOC		DIST		REVISIONS			
P	LTR	DESCRIPTION	DATE	DWN	APVD		
GP	00						
	0	RELEASED PER EC 0513-0056-05	17JUN05	BM	SB		



1. Housing material: PBT , Glass Filled, black, UL 94V-0 Rated.
2. CONTACT MATERIAL: PHOSPHOR BRONZE.
3. CONTACT FINISH: GOLD PLATE IN MATING AREA (SEE TABLE), 120μ" MIN TIN PLATE ON SOLDER TAIL, BOTH OVER 50μ" MIN NICKEL UNDERPLATE.
4. SHELL: STEEL, NICKEL PLATE.
5. FEMALE SCREWLOCKS: BRASS, NICKEL PLATE.
6. Ground Plate: SUS 302, 50μ" -150μ" Tin Plate Over Nickel underplate.

△ 7 FOUR DIGIT DATE CODE IN THIS FORMAT.  
 Year 01 45 Manufacturing Week

△ 8 DATUMS [-X-] & [-Y-] TO BE ESTABLISHED BY CUSTOMER.



Tray	Detail A	Gold flash	5786073-4
Tray	Detail A	15μ" MIN	5786073-3
Tray	Detail A	30μ" MIN	5786073-1
Packaging	Mounting Flange Configuration	CONTACT MATING AREA FINISH	PART NUMBER

THIS DRAWING IS A CONTROLLED DOCUMENT.		DWN B. MCMASTER 22SEP05	tyco Tyco Electronics Corporation Harrisburg, PA 17105-3608	
DIMENSIONS: mm		CHK S. BOLASH 22SEP05	NAME AMPLIMITE HD-22 26 POS RECEPTACLE, VERTICAL	
TOLERANCES UNLESS OTHERWISE SPECIFIED:		APVD M. WALMSLEY 22SEP05	SIZE A2 CAGE CODE 00779 DRAWING NO C=5786073 RESTRICTED TO	
0 PLC ± -		PRODUCT SPEC -	SCALE 1:1 SHEET 1 of 1 REV 0	
1 PLC ± 0.30		APPLICATION SPEC -	CUSTOMER DRAWING	
2 PLC ± 0.20		WEIGHT -		
3 PLC ± 0.10				
4 PLC ± -				
ANGLES ± 2°				
FINISH -				