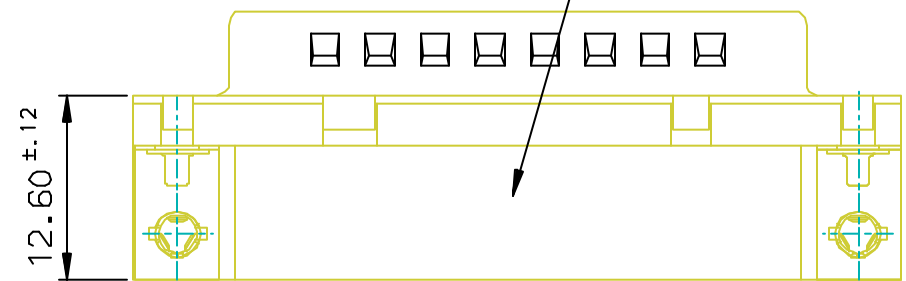
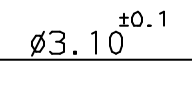
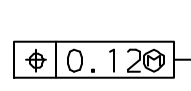


Part Number & Date Code Printing

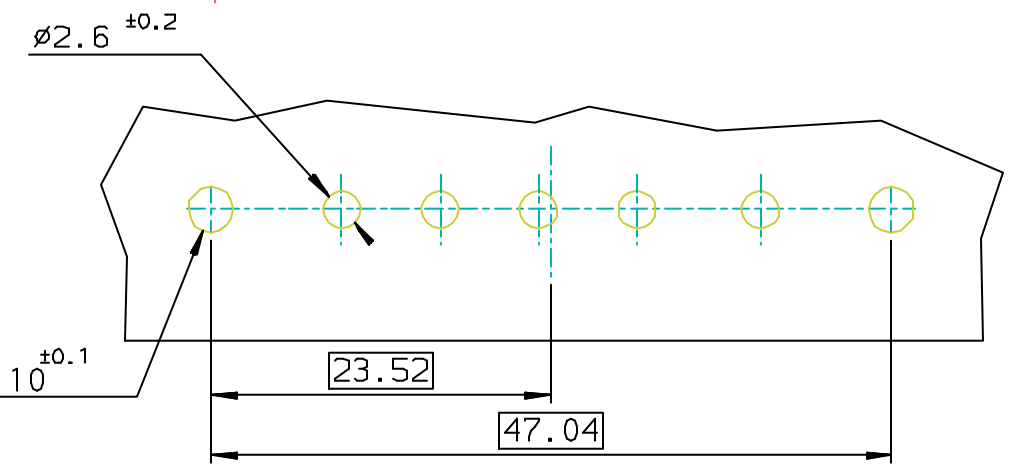


D5W5P36A6GX08**	UNC 4.40
D5W5P36A6GL08**	M3
PART NUMBER	THREADED

LF FOR LEAD FREE



PC CARD DRILLING DIMENSIONS
Components side view - Thickness 1.60mm



REQUIREMENTS

Technical characteristics:

- Material contacts - brass
- Finish on contact area -gold 0.76µ mini over nickel
- Finish on terminaison end - bright tin - Lead over nickel

Shell: steel tin/Zinc Cr3 plated
 Insulators: self-extinguishing thermoplastic, ULclass94V0
 Grounding brackets: brass, tin/Zinc Cr3 plated
 Insert M3 :brass, tin/Zinc Cr3 plated
 Harpoon: brass , tin plated

Climatic characteristics:

Operating temperature range: -55°C +125°C

Dimensions:

in accordance with MIL-C-24308

FOR ROHS DETAILS REFER DWG.NO:C01-8646-0000

European Views

rev	ecn no	dr	date
C	105-0124	JS	2005/07/27
D	106-0074	SK	2006/06/08
-	-	-	-
-	-	-	-
-	-	-	-
-	-	-	-

www.fciconnect.com		surface ISO 1302 ✓	tolerance std ISO 406 ISO 1101	projection mm
TOLERANCES UNLESS OTHERWISE SPECIFIED				
Dr	JOHN SLEEBA	2001/02/06	ANGULAR	size A3
Eng	GEORGE VJ	2001/02/06	LINEAR	
Chr	GEORGE VJ	2005/07/27	0.XX ±1°	Scale 1:1
Appr	KVSD	2005/07/27	Product family	ECN -
FCi		title MALE CONNECT. 5W5		Spec ref -
catalog no		DELTA-D		Rev. D
dwg no		C01-8646-0771		sheet 1 of 1



Copyright FCI.