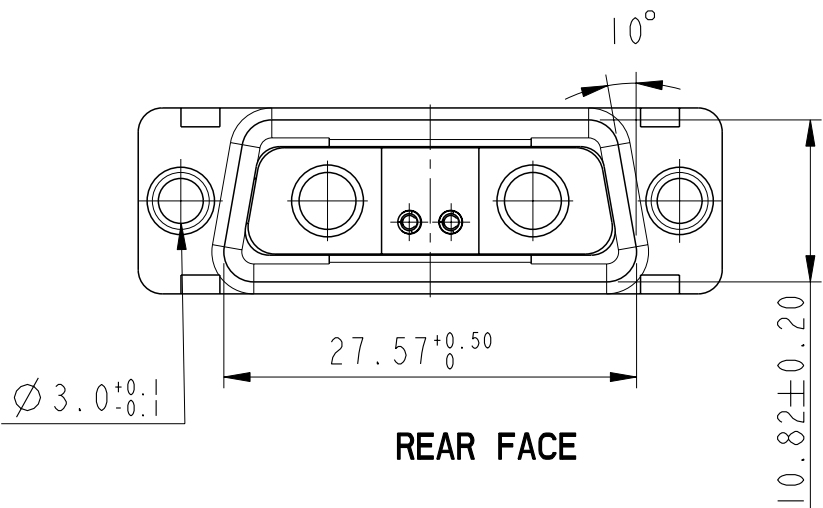
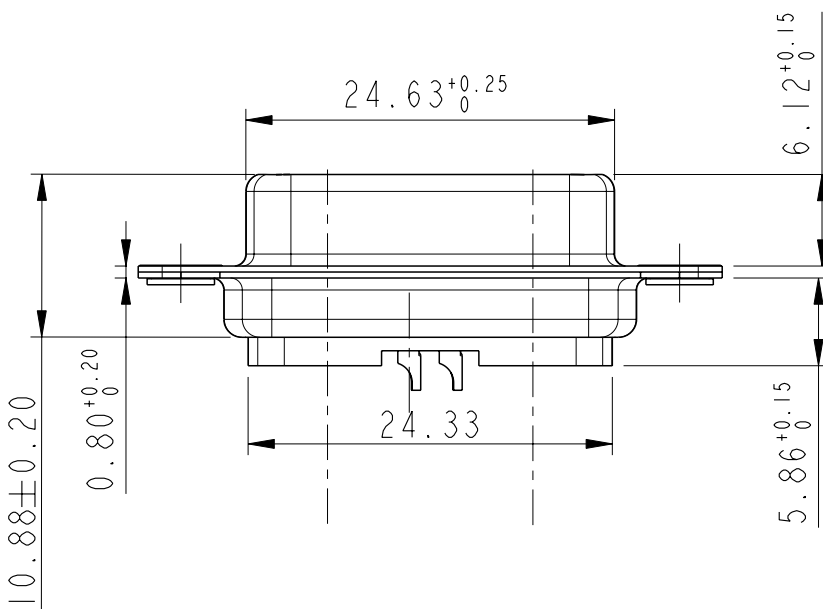
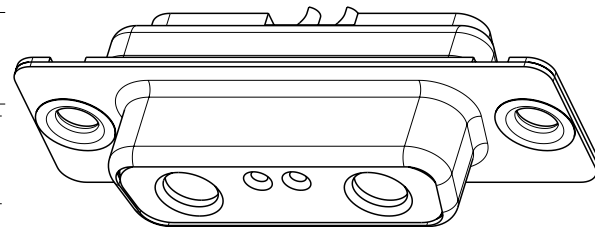
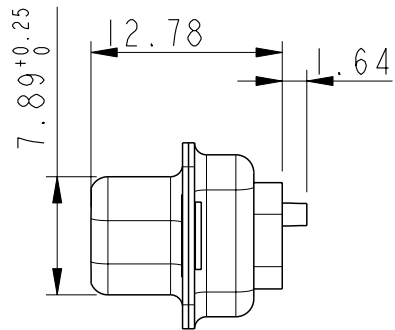
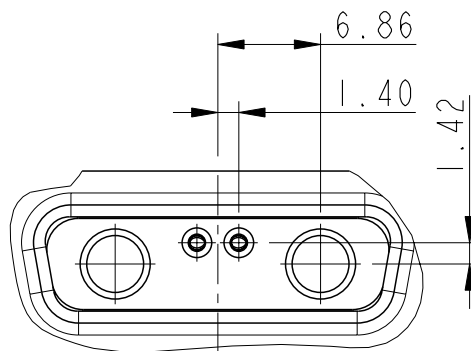


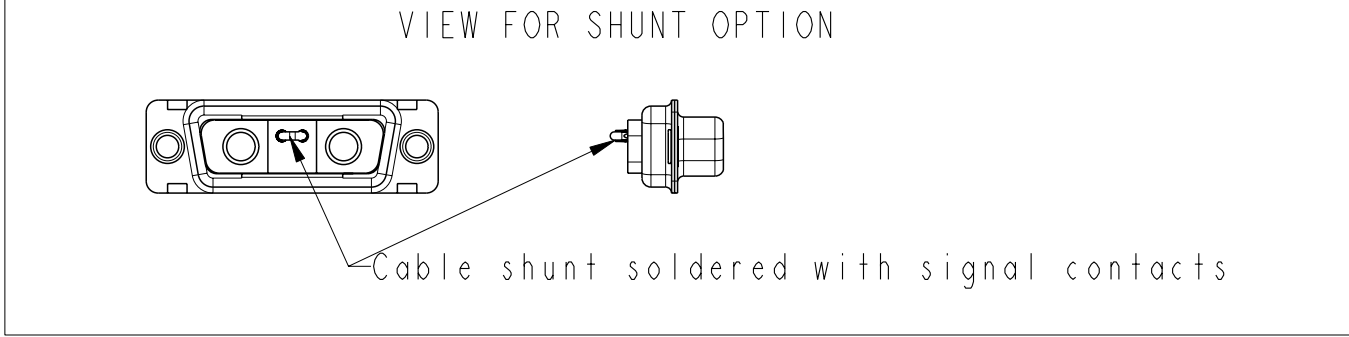
MATING SIDE VIEW



REAR FACE



PART NO : 10070165-00119ALF  
 001- Without Shunt      A-No accessories  
 002- With Shunt



TECHNICAL SPECIFICATIONS

INSULATOR : Self extinguishing Thermoplastics-UL CLASS 94 V0  
 CONTACTS : Copper alloy with GOLD over NICKEL  
 SHELLS : Steel with Nickel Plated  
 CONTACT ACTIVE ZONE : GOLD over Nickel (200 matings)  
 TERMINATION ZONE : TIN over Nickel

Current Rating : 48V/24A for Power contact  
 : 0.375 A for signal contact  
 Test Voltage : 1000V  
 Contact Resistance : For Power contacts- < 10mOhm  
 : For Signal conatcts - < 25mOhm  
 Insulation Resistance: 5000M Ohm

Operating temperature : 70°C+30°C Temperature rise  
 Mechanical Endurance : 200matings  
 Damp Heat : 21 days  
 Wire Size : Power-8AWG  
 : Signal - AWG 24  
 Contacts : Power contacts -Solder/Crimp  
 : Signal contacts - Solder  
 Max.Dia of wire: 1.52mm (AWG 20/24), 4.1mm (AWG8)  
 Connector is FMLB Compatible

www.fciconnect.com		surface ISO 1302	tolerance std ISO 406 ISO 1101	projection mm
TOLERANCES UNLESS OTHERWISE SPECIFIED				
Dr	SINESH	2006-10-19	ANGULAR	0.X ±0.3
Eng	SINESH	2006-10-19	LINEAR	0.XX ±0.10
Chr	NIRMAL	2007-07-16	0° ±2°	0.XXX ±0.050
Appr	K.V SIVADAS	2007-07-17	Product family	Spec ref
FCi FEMALE CABLE CONNECTOR-48V			dwg no	10070165
--MicroTCA Power I/O Connector			CUSTOMER	sheet 1 of 1
catalog no			Rev. A	

rev	ecn no	dr	date
A	107-0051	NG	2007-07-17
-	-	-	-
-	-	-	-
-	-	-	-
-	-	-	-
-	-	-	-

"This Product Meets European union directives & other country regulations as described in GS-22-008"  
 Packing asper GS 14-1104

Copyright FCI. FCi