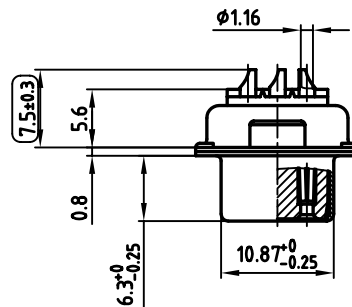
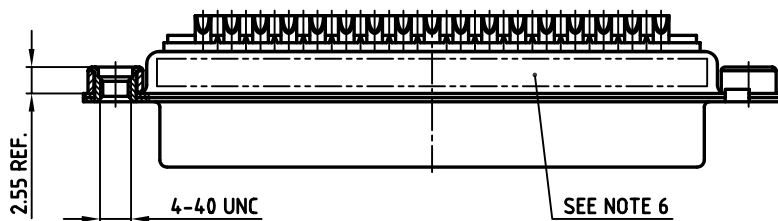
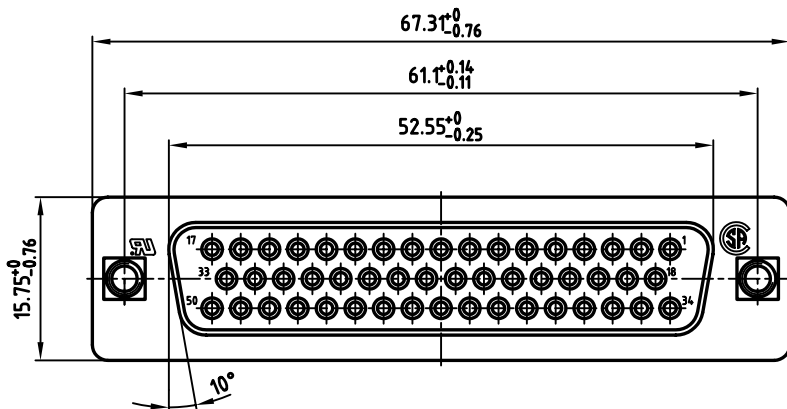


used for: D-SUB



NOTES:

1. METALSHELLS: STEEL; min. 320µ" TIN
2. INSULATORS: PBT GF UL 94 V-0, BLACK
3. CONTACTS: COPPER ALLOY
PLATING: 8µ" HARD GOLD OVER min. 50µ" NICKEL
SOLDER CUP ACCEPTS CABLE AWG 20
4. THREADED INSERT: COPPER ALLOY; min. 200µ" TIN over 80µ" NICKEL
5. MAXIMUM TORQUE VALUE FOR THREAD: 6" LBS
6. CONNECTOR IS PART MARKED: 164A10259X CONEC ABC
7. = CHECK DIMENSION

Directive 2002/95/EC
 „RoHS“
 Compliant

| | |
|---|--------|
| APPROVAL # FREIGABE # DEBLOCAGE # AUTORIZACION # APPROVAL | |
| CUSTOMER APPROVAL DATE: | |
| NAME: | TITLE: |
| COMPANY NAME: | |
| APPROVAL # FREIGABE # DEBLOCAGE # AUTORIZACION # APPROVAL | |

THIS DRAWING MAY NOT BE COPIED OR REPRODUCED IN ANY WAY, AND MAY NOT BE PASSED ON TO A THIRD PARTY, WITHOUT WRITTEN PERMISSION.
 OWNERSHIP AND COPYRIGHT OF CONEC GmbH
DO NOT ALTER CAD DRAWING BY HAND

| rev. | description | date | name |
|------|-------------|------|------|
| a | Origin | | |

| | | |
|-----------|--------|--------------|
| tolerance | | dim. in mm |
| 2006 | date | |
| drawn | 08.02. | name |
| appd. | 08.02. | Mickenbecker |
| norm | | DIN 41652 |
| d-old | | |
| | | |

| | | |
|--|--------------|---------|
| scale: | 2:1 | |
| material: | SEE NOTES | |
| title: | | |
| D-SUB FEMALE 50pos. SOLDER CUP with threaded insert | | |
| dwg no: | AutoCAD 2004 | DIN-A |
| | 16K1A1741 | 3 |
| | | sh: 1/1 |
| part no: | 164A10259X | |