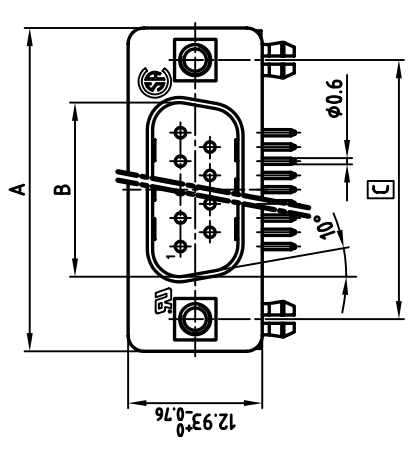
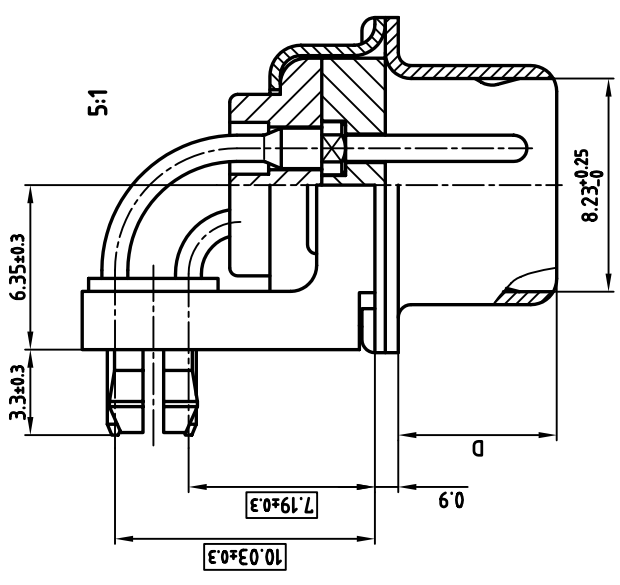
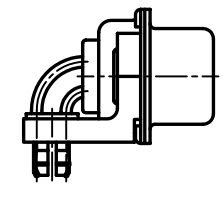
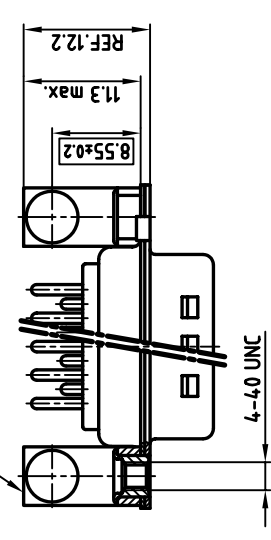


used for: D-SUB



METAL BRACKET



NOTES:

1. METALSHELLS: STEEL, min. 320µ" TIN
2. INSULATORS: PBT GF UL 94 V-0, BLACK
3. CONTACTS: COPPER ALLOY
4. PLATING: min. 8µ" HARD GOLD OVER min. 50µ" NICKEL
5. METAL BRACKET: STEEL, min. 320µ" TIN over 80µ" NICKEL
6. THREADED INSERT: COPPER ALLOY; min. 200µ" TIN over 80µ" NICKEL
7. PCB-SNAP: COPPER ALLOY; min. 200µ" TIN over 80µ" NICKEL
PCB-HOLE: φ3.1±0.1; PCB THICKNESS 1.6mm
8. P.C.B. HOLE DRILLINGS ON DRAWING NO.: 16K110UA
9. MAXIMUM TORQUE VALUE FOR THREAD: 6" LBS
10. = CRITICAL DIMENSION: SPC

Directive 2002/95/EC
RoHS
Compliant

tolerance		scale: 2:1 (5:1)	
2000		material: SEE NOTES	
drawn	date	title:	
03.07.	03.07.	D-SUB MALE 90°	
appd.	03.07.	0.318inch 9-37pos.	
norm	DIN 41652	with threaded insert, metal bracket and clip	
e-old		dwg no: 16K1A022A	
		AutoCAD 2000	
		DIN-A	
		3	
		sh: 1/1	
rev. description		product no: SEE TABLE	
date			
name			

THIS DRAWING MAY NOT BE COPIED OR REPRODUCED IN ANY WAY, AND MAY NOT BE PASSED ON TO A THIRD PARTY WITHOUT WRITTEN PERMISSION.
OWNERSHIP AND COPYRIGHT OF CONEC GMBH

DO NOT ALTER CAD DRAWING BY HAND

POS.	A ^{+0.76}	B ^{+0.25}	C	D ^{-0.3}	PART-NO.
9	31.19	16.79	25.00 ^{+0.12} _{-0.13}	6.12	163A17529X
15	39.52	25.12	33.30 ^{+0.15} _{-0.1}	6.12	163A17539X
25	53.42	38.84	47.04 ^{+0.13}	5.99	163A17549X
37	69.70	55.30	63.50 ^{+0.13}	5.99	163A17559X

