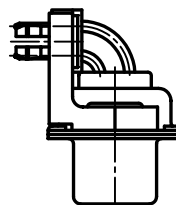
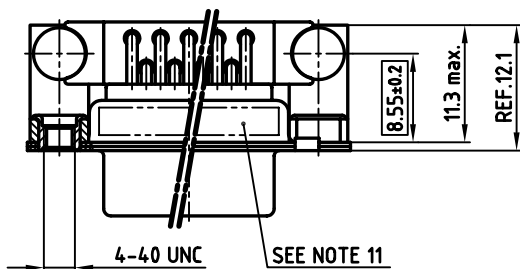
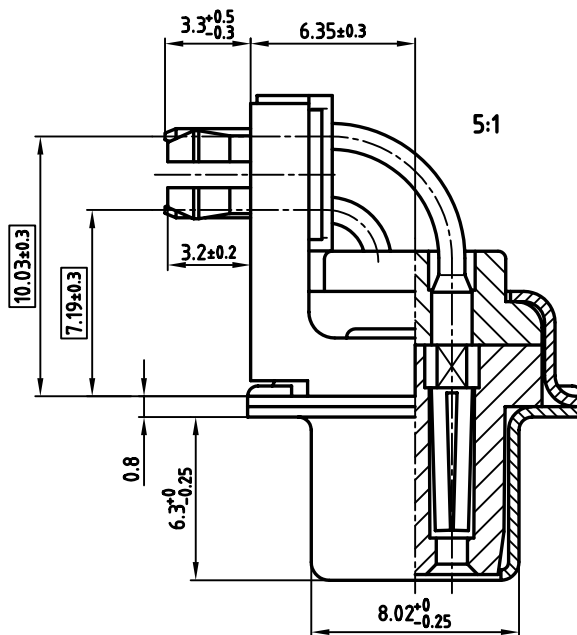
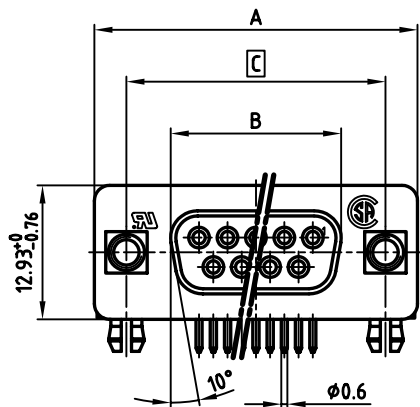


used for: D-SUB



No. of pos.	A -0.76	B -0.25	C	Part NO.
9	31.19	16.46	25.00 ^{+0.12} / _{-0.13}	164A17939X
15	39.52	24.79	33.30 ^{+0.15} / _{-0.1}	164A17949X
25	53.42	38.50	47.04 ±0.13	164A17959X
37	69.70	54.96	63.50 ±0.13	164A17969X

NOTES:

- METALSHELLS: STEEL; min. 320µ" TIN
- INSULATORS: PBT GF UL 94 V-0, BLACK
- CONTACTS: COPPER ALLOY
- PLATING: min. 8µ" HARD GOLD OVER min. 50µ" NICKEL
- METAL BRACKET: STEEL; min. 320µ" TIN over 80µ" NICKEL
- THREADED INSERT: COPPER ALLOY; min. 200µ" TIN over 80µ" NICKEL
- PCB-SNAP: COPPER ALLOY; min. 200µ" TIN over 80µ" NICKEL
PCB-HOLE: $\phi 3.1 \pm 0.1$; PCB THICKNESS 1.6mm
- FIXING-PLATE: PBT GF UL 94 V-0, BLACK
- P.C.B. HOLE DRILLINGS ON DRAWING NO.: 16K111UA
- MAXIMUM TORQUE VALUE FOR THREAD: 6" LBS
- CONNECTOR IS PART MARKED: PART-NO. CONEC Y/WW
- = CRITICAL DIMENSION



APPROVAL # FREIGABE # DEBLOCAGE # AUTORIZACION # APPROVAL

CUSTOMER APPROVAL DATE:

NAME: TITLE:

COMPANY NAME:

APPROVAL # FREIGABE # DEBLOCAGE # AUTORIZACION # APPROVAL

THIS DRAWING MAY NOT BE COPIED OR REPRODUCED IN ANY WAY, AND MAY NOT BE PASSED ON TO A THIRD PARTY, WITHOUT WRITTEN PERMISSION. OWNERSHIP AND COPYRIGHT OF CONEC Gmbh DO NOT ALTER CAD DRAWING BY HAND

rev.	description	date	name

tolerance		scale:	2:1 (5:1)
material:	SEE NOTES	material:	SEE NOTES
drawn	25.06.	name	Parei
appd.	25.06.	name	E. Mickenbecker
norm	DIN 41652		
d-old			
CONEC			

title: **D-SUB FEMALE 90°**
9-37pos. SOLDER PIN ANGLED 0.318"
threaded insert, metal bracket, fixing-plate, clip

dwg no: AutoCAD 2000 DIN-A 3 sh: 1/1

part no: **16K1A685**

SEE TABLE