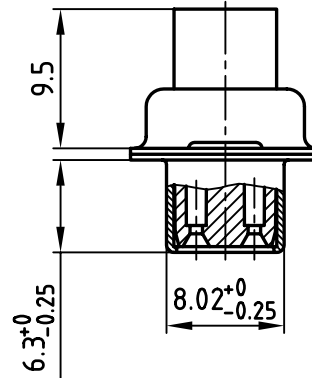
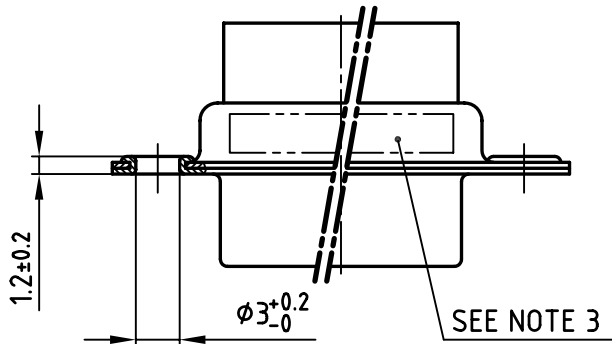
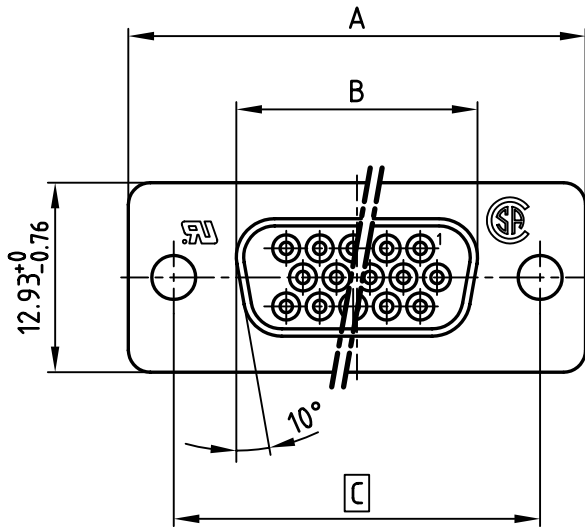


used for: D-SUB HD



POS.	A <sup>-0.76</sup>	B <sup>-0.25</sup>	C	Part-NO.
15	31.19	16.46	25.00 <sup>+0.12</sup> / <sub>-0.13</sub>	164X11949X
26	39.52	24.79	33.30 <sup>+0.15</sup> / <sub>-0.1</sub>	164X11959X
44	53.42	38.50	47.04 ±0.13	164X11969X
62	69.70	54.96	63.50 ±0.13	164X11979X

**NOTES:**

1. METALSHELLS: STEEL; min. 320µ" TIN
2. INSULATORS: PBT GF UL 94 V-0, BLACK
3. CONNECTOR IS PART MARKED: PART-NO. CONEC Y/WW
4.  = CRITICAL DIMENSION: SPC

Directive 2002/95/EC  
„RoHS“  
Compliant

THIS DRAWING MAY NOT BE COPIED OR REPRODUCED IN ANY WAY, AND MAY NOT BE PASSED ON TO A THIRD PARTY WITHOUT WRITTEN PERMISSION. OWNERSHIP AND COPYRIGHT OF CONEC GmbH DO NOT ALTER CAD DRAWING BY HAND

rev.	description	date	name	tolerance		
				2001	date	name
				drawn	12.03.	Parei
				appd.	12.03.	Mickenbecker
				norm		
				d-old		



scale:	2:1	
material:	SEE NOTES	
title:	D-SUB HD FEMALE CRIMP-VERSION 15-62pos.	
dwg no:	CAD/ 2000	DIN-A
	16K1A155A	4
product no:	SEE TABLE	
		sh: 1/1