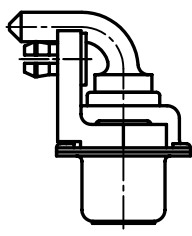
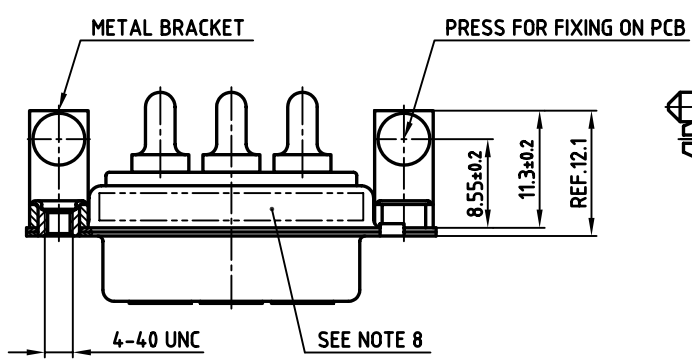
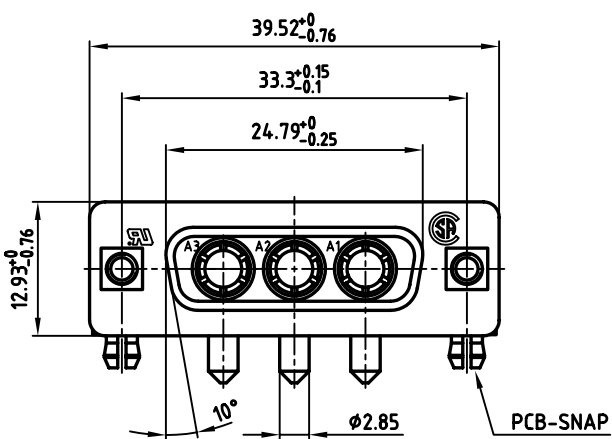
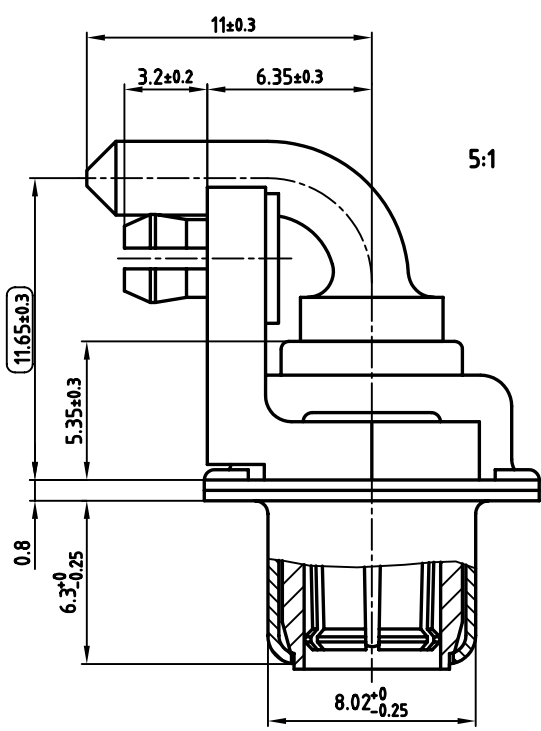


P.C.B. HOLE DRILLINGS

used for: D-SUB COMBINATION



NOTES:

- METALSHELLS: STEEL; min. 320µ" TIN
- INSULATORS: PBT GF UL 94 V-0, GREEN
- HIGH POWER CONTACTS 20A : COPPER ALLOY
PLATING: 30µ" HARD GOLD OVER min. 50µ" NICKEL
- METAL BRACKET: DIE-CASTING; min. 320µ" TIN over 80µ" NICKEL
- THREADED INSERT: COPPER ALLOY; min. 200µ" TIN over 80µ" NICKEL
- PCB-SNAP: COPPER ALLOY; min. 200µ" TIN over 80µ" NICKEL
PCB-HOLE: 3.1±0.1; PCB THICKNESS 1.6mm
- MAXIMUM TORQUE VALUE FOR THREAD: 6" LBS
- CONNECTOR IS PART MARKED: 3003W3SXX56N40X CONEC ABC
- = CHECK DIMENSION

Directive 2002/95/EC
RoHS
Compliant

| | |
|---|--------|
| APPROVAL * FREIGABE * DEBLOCAGE * AUTORIZACION * APPROVAL | |
| CUSTOMER APPROVAL DATE: | |
| NAME: | TITLE: |
| COMPANY NAME: | |
| APPROVAL * FREIGABE * DEBLOCAGE * AUTORIZACION * APPROVAL | |

THIS DRAWING MAY NOT BE COPIED OR REPRODUCED IN ANY WAY, AND MAY NOT BE PASSED ON TO A THIRD PARTY, WITHOUT WRITTEN PERMISSION. OWNERSHIP AND COPYRIGHT OF CONEC GmbH DO NOT ALTER CAD DRAWING BY HAND

| rev. | description | date | name |
|------|-------------|------|------|
| a | Origin | | |

| | | | | |
|------------|--------|--------------|---------------------|--|
| tolerance | | | scale: 2:1 (5:1) | |
| dim. in mm | | | material: SEE NOTES | |
| 2006 | date | name | | |
| drawn | 08.02. | Lehmenkühler | | |
| appd. | 08.02. | Mickenbecker | | |
| norm | | | | |
| d-old | | | | |

| | |
|--|--------------|
| title: | |
| D-SUB COMBINATION FEMALE 90° | |
| 3W3S | |
| with threaded insert, metal bracket and clip | |
| dwg no: | AutoCAD 2004 |
| 13K1A1708 | |
| part no: 3003W3SXX56N40X | |
| DIN-A | 3 |
| sh: | 1/1 |