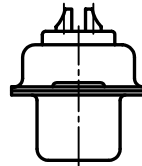
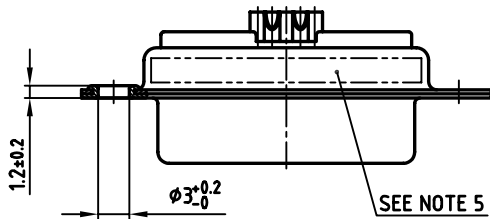
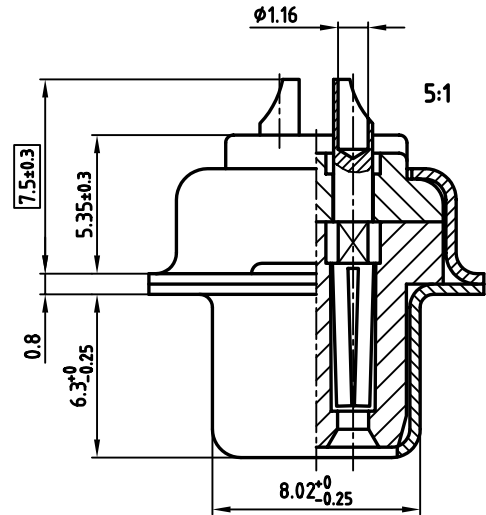
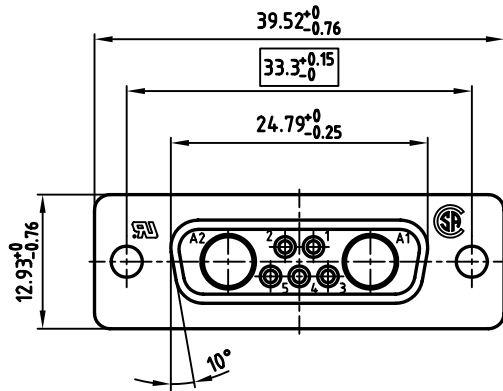


used for: D-SUB COMBINATION



**NOTES:**

1. METALSHELLS: STEEL; min. 320µ" TIN
2. INSULATORS: PBT GF UL 94 V-0, GREEN
3. SIGNAL CONTACTS: COPPER ALLOY  
SOLDER CUP ACCEPTS CABLE AWG 20
4. PLATING: min. 30µ" HARD GOLD OVER min. 50µ" NICKEL
5. CONNECTOR IS PART MARKED: 3007W2SCM99A10X CONEC\_Y/WW
6.  = CRITICAL DIMENSION

Directive 2002/95/EC  
 „RoHS“  
 Compliant

THIS DRAWING MAY NOT BE COPIED OR REPRODUCED IN ANY WAY, AND MAY NOT BE PASSED ON TO A THIRD PARTY, WITHOUT WRITTEN PERMISSION. OWNERSHIP AND COPYRIGHT OF CONEC GmbH DO NOT ALTER CAD DRAWING BY HAND

rev.	description	date	name

tolerance			scale: 2:1
material: SEE NOTES			material: SEE NOTES
2002	date	name	title: <b>D-SUB COMBINATION FEMALE</b> 7W2S SOLDER CUP
drawn	07.05.	Parei	
appd.	07.05.	E. Mickenbecker	
norm			
d-old			dwg no: AutoCAD 2000
			DIN-A 3
			sh: 1/1
part no: 3007W2SCM99A10X			

dwg no: AutoCAD 2000	DIN-A 3
13K1A563	sh: 1/1
part no: 3007W2SCM99A10X	