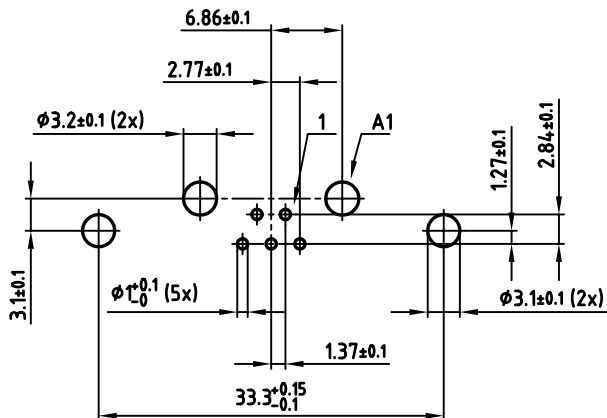
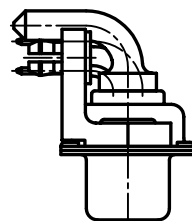
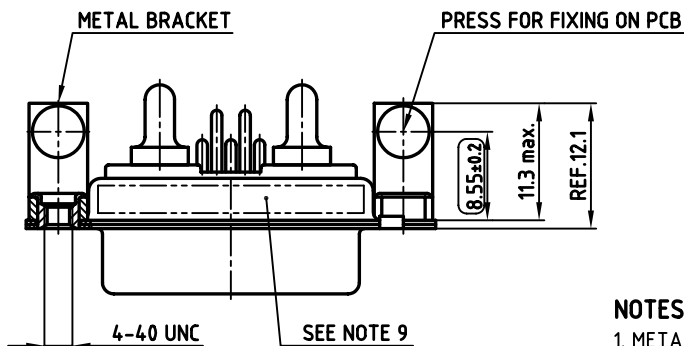
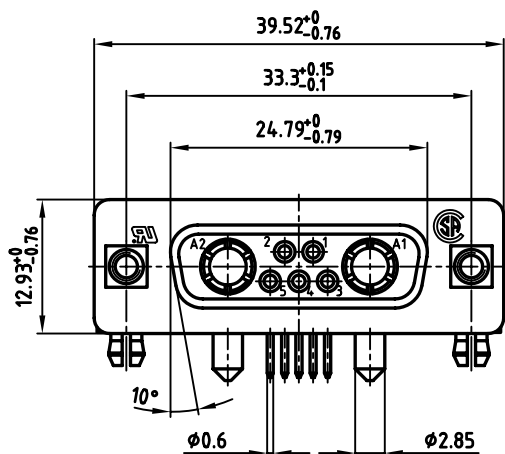
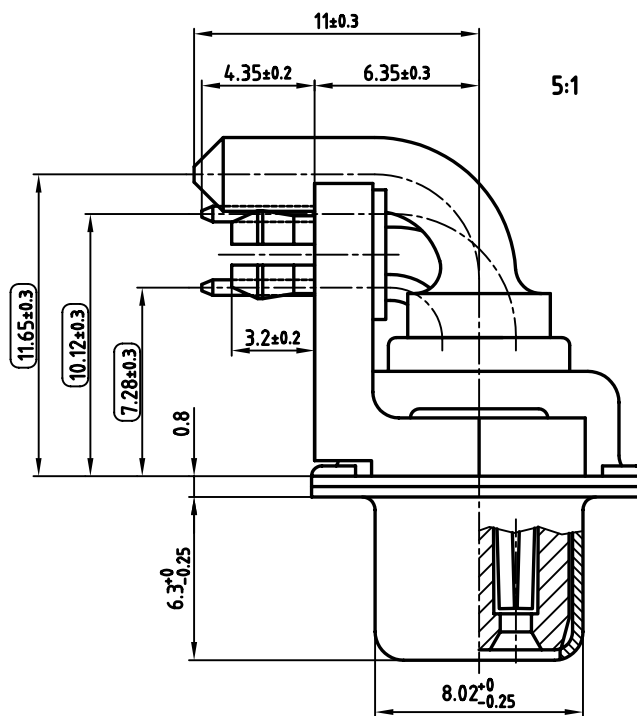


used for: D-SUB COMBINATION



P.C.B. HOLE DRILLINGS



NOTES:

1. METALSHELLS: STEEL; min. 320µ" TIN
2. INSULATORS: PBT GF UL 94 V-0, GREEN
3. SIGNAL CONTACTS: COPPER ALLOY
PLATING: 30µ" HARD GOLD OVER min. 50µ" NICKEL
4. HIGH POWER CONTACTS 20A: COPPER ALLOY
PLATING: 30µ" HARD GOLD OVER min. 50µ" NICKEL
5. METAL BRACKET: STEEL; min. 320µ" TIN over 80µ" NICKEL
6. THREADED INSERT: COPPER ALLOY; min. 200µ" TIN over 80µ" NICKEL
7. PCB-SNAP: COPPER ALLOY; min. 200µ" TIN over 80µ" NICKEL
PCB-HOLE: $\phi 3.1 \pm 0.1$; PCB THICKNESS 1.6mm
8. MAXIMUM TORQUE VALUE FOR THREAD: 6" LBS
9. CONNECTOR IS PART MARKED: 3007W2SCT56N40X CONEC ABC
10. = CHECK DIMENSION

Directive 2002/95/EC
 RoHS
 Compliant

APPROVAL * FREIGABE * DEBLOCAGE * AUTORIZACION * APPROVAL	
CUSTOMER APPROVAL DATE:	
NAME:	TITLE:
COMPANY NAME:	
APPROVAL * FREIGABE * DEBLOCAGE * AUTORIZACION * APPROVAL	

THIS DRAWING MAY NOT BE COPIED OR REPRODUCED IN ANY WAY, AND MAY NOT BE PASSED ON TO A THIRD PARTY, WITHOUT WRITTEN PERMISSION.
 OWNERSHIP AND COPYRIGHT OF CONEC Gmbh
DO NOT ALTER CAD DRAWING BY HAND

rev.	description	date	name

tolerance		 dim. in mm	scale: 2:1 (5:1)
material:			SEE NOTES
2004	date	name	D-SUB COMBINATION FEMALE 90° 7W2S with threaded insert, metal bracket and clip
drawn	05.11.	Lehmenkühler	
appd.	05.11.	Mickenbecker	
norm			
d-old			
			dwg no: AutoCAD 2004 DIN-A <div style="border: 1px solid black; padding: 2px; display: inline-block;"> 13K2A1141 </div> part no: 3007W2SCT56N40X

title:		D-SUB COMBINATION FEMALE 90° 7W2S with threaded insert, metal bracket and clip	
dwg no:			AutoCAD 2004 DIN-A
part no:			<div style="border: 1px solid black; padding: 2px; display: inline-block;"> 13K2A1141 </div> 3007W2SCT56N40X
scale:			2:1 (5:1)
material:			SEE NOTES
rev. description date name		sh: 1/1	