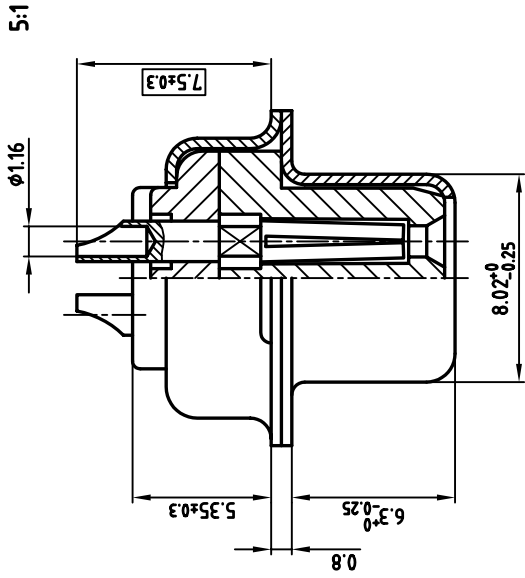
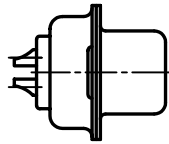
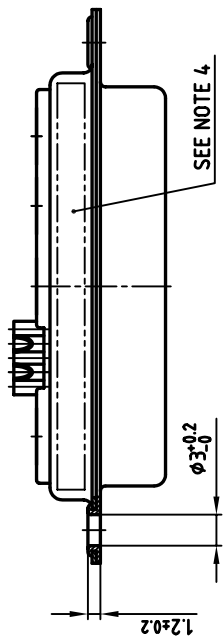
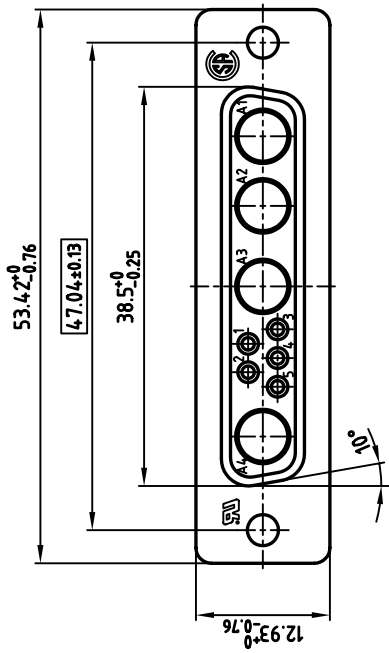


used for: D-SUB COMBINATION



NOTES:

- METALSHELLS: STEEL; min. 320µ" TIN
- INSULATORS: PBT GF UL 94 V-0, GREEN
- SIGNAL CONTACTS: COPPER ALLOY
PLATING: min. 30µ" HARD GOLD OVER min. 50µ" NICKEL
SOLDER CUP ACCEPTS CABLE AWG 20
- CONNECTOR IS PART MARKED: 3009W4SCM99A10X CONEC Y/W/W
- = CRITICAL DIMENSION



APPROVAL # FREIGABE # DEBLOCKAGE # AUTORIZACION # APPROVAL	
CUSTOMER APPROVAL DATE:	
NAME:	TITLE:
COMPANY NAME:	
APPROVAL # FREIGABE # DEBLOCKAGE # AUTORIZACION # APPROVAL	

THIS DRAWING MAY NOT BE COPIED OR REPRODUCED IN ANY WAY, AND MAY NOT BE PASSED ON TO A THIRD PARTY WITHOUT WRITTEN PERMISSION.
OWNERSHIP AND COPYRIGHT OF CONEC GMBH DO NOT ALTER CAD DRAWING BY HAND

rev.	description	date	name

tolerance		scale:	2:1 (5:1)
material:		material:	SEE NOTES
2002	date	name	
drawn	09.08.	Pareil	
appd.	09.08.	Mickenbacher	
norm			
e-old			

title: D-SUB COMBINATION FEMALE
9W4S SOLDER CUP

dwg no: 13K1A673

AutoCAD 2000

DIN-A 3

sh: 1/1

part no: 3009W4SCM99A10X

