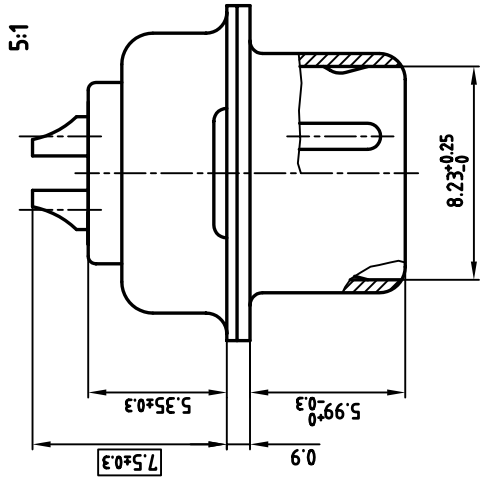
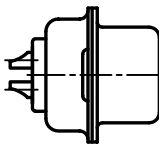
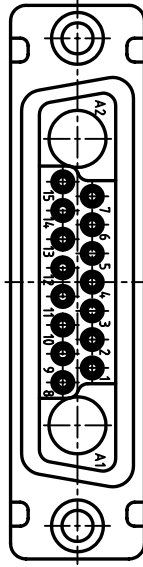
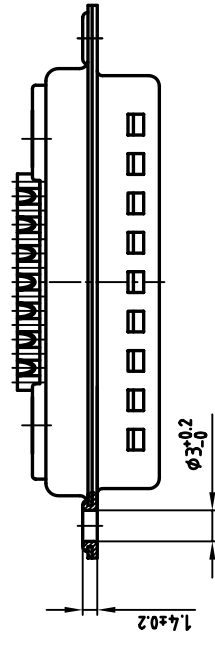
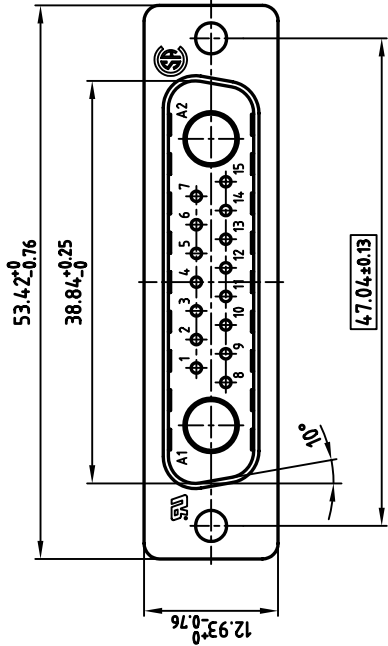


used for: D-SUB COMBINATION



NOTES:

1. METAL SHELLS: STEEL; min. 320µ" TIN
2. INSULATORS: PBT GF UL 94 V-0, GREEN
3. SIGNAL CONTACTS: COPPER ALLOY
4. PLATING: min. 30µ" HARD GOLD OVER min. 50µ" NICKEL
5. = CRITICAL DIMENSION: SPC

Directive 2002/95/EC
RoHS
Compliant

DO NOT ALTER CAD DRAWING BY HAND		OWNERSHIP AND COPYRIGHT OF CONEC GMBH		WRITTEN PERMISSION		BE PASSED ON TO A THIRD PARTY WITHOUT		REPRODUCED IN ANY WAY, AND MAY NOT		THIS DRAWING MAY NOT BE COPIED OR	
rev.	description	date	name	tolerance		scale:	2:1 (5:1)	material:	SEE NOTES	title:	D-SUB COMBINATION MALE 17W2P SOLDER CUP
2001	date	name	name	2011	drawn	20.11.	Pareil	2011	appd.	20.11.	Schrader
	norm										
	e-old										
				dwg no:		AutoCAD 2000		DIN-A		3	
				part no:		13K1A405A		sh: 1/1		3017W2PCM99A10X	

