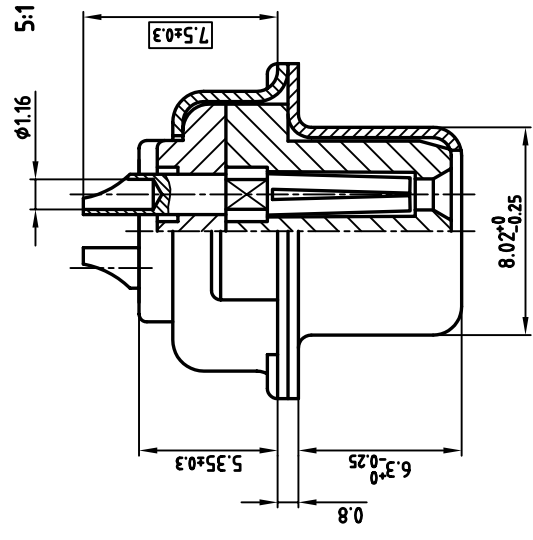
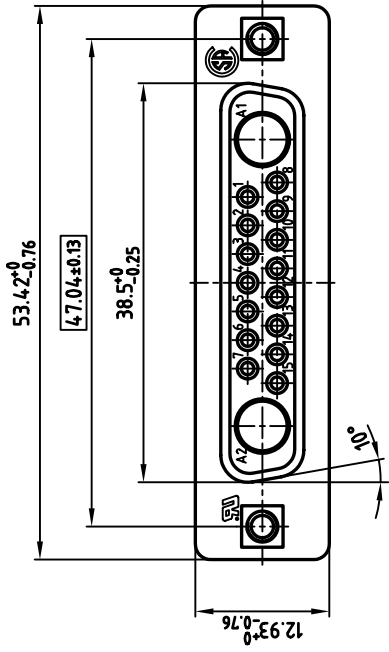
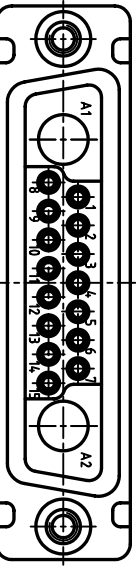
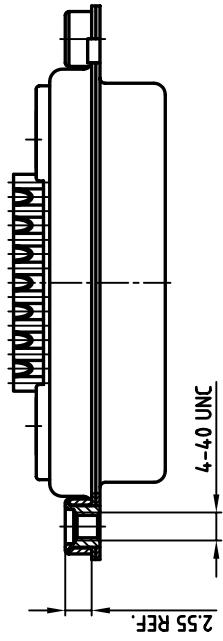
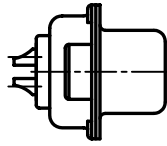


used for: D-SUB COMBINATION



NOTES:

1. METAL SHELLS: STEEL; min. 320µ" TIN
2. INSULATORS: PBT GF UL 94 V-0, GREEN
3. SIGNAL CONTACTS: COPPER ALLOY
4. PLATING: min. 30µ" HARD GOLD OVER min. 50µ" NICKEL
5. SOLDER CUP ACCEPTS CABLE AWG 20
6. NO CONTACTS ON POS A1 + A2
7. THREADED INSERT: COPPER ALLOY; min. 200µ" TIN over 80µ" NICKEL
8. COLLAR: COPPER ALLOY; min. 200µ" TIN over 80µ" NICKEL
9. MAXIMUM TORQUE VALUE FOR THREAD: 6" LBS
10. [] = CRITICAL DIMENSION: SPC



THIS DRAWING MAY NOT BE COPIED OR REPRODUCED IN ANY WAY, AND MAY NOT BE PASSED ON TO A THIRD PARTY WITHOUT WRITTEN PERMISSION.
 OWNERSHIP AND COPYRIGHT OF CONEC GMBH
DO NOT ALTER CAD DRAWING BY HAND

tolerance	scale:	material:
	2:1 (5:1)	SEE NOTES

2001	date	name	Parrel
drawn	06.12.		
appr.	07.12.	E. Mickenbecker	
norm			
e-old			

title:	dwg no:	DIN-A
D-SUB COMBINATION FEMALE 17W2S SOLDER CUP with threaded insert	AutoCAD 2000	3
sh: 1/1	13K1A427A	
part no: 3017W2SCM99A30X		

