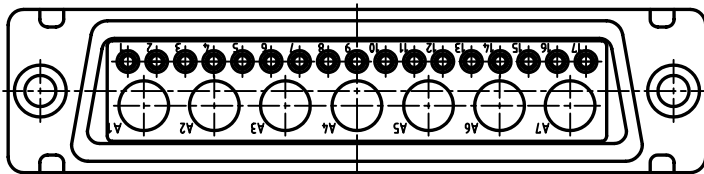
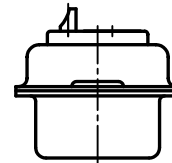
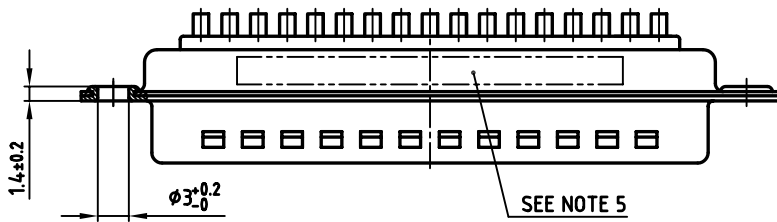
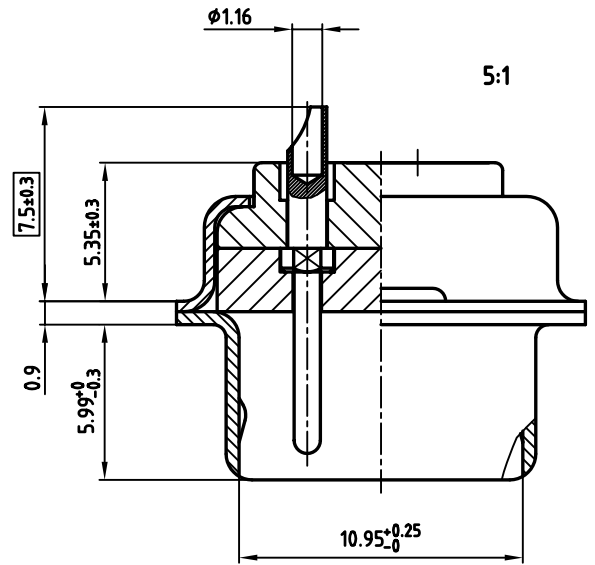
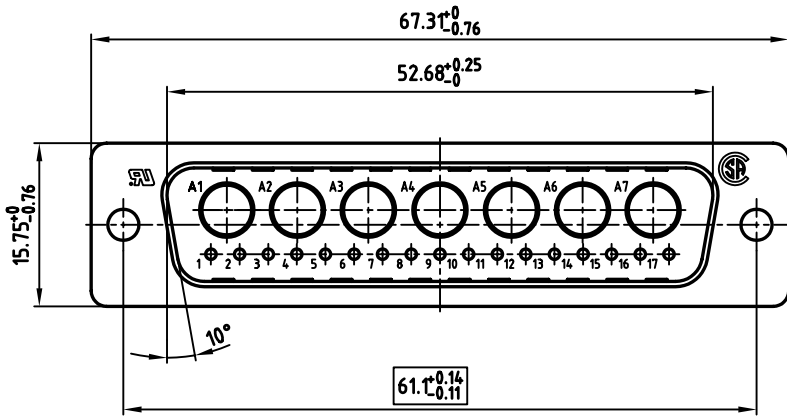


used for: D-SUB COMBINATION



**NOTES:**

1. METALSHELLS: STEEL; min. 320µ" TIN
2. INSULATORS: PBT GF UL 94 V-0, GREEN
3. SIGNAL CONTACTS: COPPER ALLOY
4. PLATING: min. 30µ" HARD GOLD OVER min. 50µ" NICKEL
5. CONNECTOR IS PART MARKED: PART NO: CONEC Y/W/W
6.   = CRITICAL DIMENSION: SPC

Directive 2002/95/EC  
 „RoHS“  
 Compliant

THIS DRAWING MAY NOT BE COPIED OR REPRODUCED IN ANY WAY, AND MAY NOT BE PASSED ON TO A THIRD PARTY, WITHOUT WRITTEN PERMISSION. OWNERSHIP AND COPYRIGHT OF CONEC GmbH DO NOT ALTER CAD DRAWING BY HAND

rev.	description	date	name

tolerance			scale: 2:1 (5:1)
material:			SEE NOTES
2001	date	name	<b>D-SUB COMBINATION MALE</b> 24W7P SOLDER CUP
drawn	28.05.	Parei	
appd.	28.05.	Mickenbecker	
norm			
d-old			dwg no: AutoCAD 2000
			DIN-A 3
part no: 3024W7PCM99A10X			sh: 1/1

dwg no:	AutoCAD 2000	DIN-A
<b>13K1A262A</b>		3
part no: 3024W7PCM99A10X		sh: 1/1