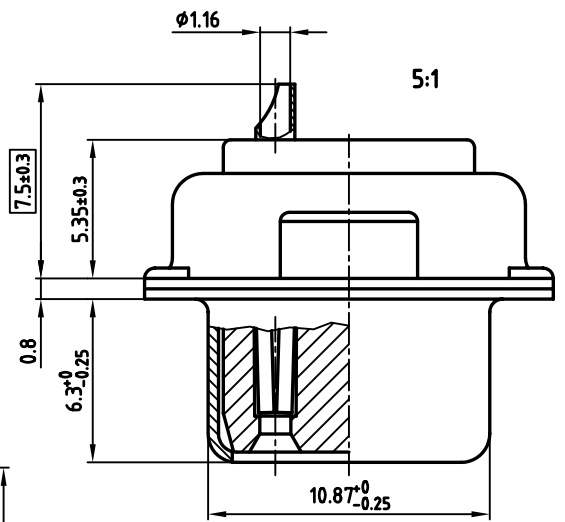


used for: D-SUB COMBINATION



**NOTES:**

1. METALSHELLS: STEEL; min. 320µ" TIN
2. INSULATORS: PBT GF UL 94 V-0, GREEN
3. SIGNAL CONTACTS: COPPER ALLOY  
PLATING: min. 30µ" HARD GOLD OVER min. 50µ" NICKEL  
SOLDER CUP ACCEPTS CABLE AWG 20
4. NO CONTACTS ON POS. A1 - A7
5. THREADED INSERT: COPPER ALLOY; min. 200µ" TIN over 80µ" NICKEL
6. COLLAR: COPPER ALLOY; min. 200µ" TIN over 80µ" NICKEL
7. MAXIMUM TORQUE VALUE FOR THREAD: 6" LBS
8. CONNECTOR IS PART MARKED: 3024W7SCM99A30X CONEC Y/W/W
9.   = CRITICAL DIMENSION

Directive 2002/95/EC  
RoHS  
Compliant

APPROVAL # FREIGABE # DEBLOCAGE # AUTORIZACION # APPROVAL	
CUSTOMER APPROVAL DATE:	
NAME:	TITLE:
COMPANY NAME:	
APPROVAL # FREIGABE # DEBLOCAGE # AUTORIZACION # APPROVAL	

THIS DRAWING MAY NOT BE COPIED OR REPRODUCED IN ANY WAY, AND MAY NOT BE PASSED ON TO A THIRD PARTY, WITHOUT WRITTEN PERMISSION. OWNERSHIP AND COPYRIGHT OF CONEC GmbH DO NOT ALTER CAD DRAWING BY HAND			
rev.	description	date	name

tolerance		scale:	2:1 (5:1)
	dim. in mm	material:	SEE NOTES
2003	date	name	<b>D-SUB COMBINATION FEMALE</b> 24W7S SOLDER CUP with threaded insert
drawn	04.03.	Parei	
appd.	04.03.	Kühle	
norm			
d-old			dwg no: AutoCAD 2000
<b>CONEC</b> <sup>®</sup>			DIN-A
			3
			sh: 1/1
			part no: 3024W7SCM99A30X