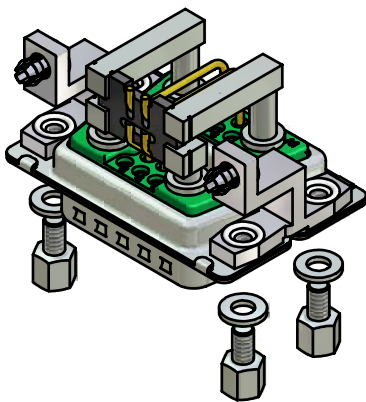


**NOTES:**

1. METALSHELLS: STEEL; min. 315µin TIN over 40-80µin NICKEL
2. INSULATORS: HIGH TEMPERATURE PLASTIC UL 94 V-0; GREEN
3. HIGH POWER CONTACTS: COPPER ALLOY; min. 35A/pin @30°C TEMPERATURE RISE  
PLATING MATING AREA: 30µin HARD GOLD over min. 50µin NICKEL  
PLATING TERMINATION SIDE: 160-240µin TIN over 80µin NICKEL  
MALE CONTACT ON POS. A1 and A2
4. SIGNAL CONTACTS: COPPER ALLOY; 5A nominal  
PLATING MATING AREA: 30µin HARD GOLD over min. 50µin NICKEL  
MALE CONTACTS ON POS. 1 and 2, NO CONTACTS ON POS. 3, 4, 5
5. METAL BRACKET: ZINC DIE CAST; 300µin COPPER/40-120µin NICKEL/120-200µin TIN
6. THREADED INSERT: COPPER ALLOY; min. 200µin TIN over 80µin NICKEL
7. HEX BOLT: STEEL; NICKEL PLATED
8. WASHER: STEEL; NICKEL PLATED
9. FIXING PLATE: HIGH TEMPERATURE PLASTIC UL 94 V-0, BLACK
10. PCB-SNAP: COPPER ALLOY; min. 200µin TIN over 80µin NICKEL  
PCB-HOLE:  $\varnothing 3,1 \pm 0,1$ mm; PCB-THICKNESS: 1,6mm
11. MAXIMUM TORQUE VALUE FOR THREAD: 6" LBS
12. CONNECTOR IS PART MARKED: 13-000031 CONEC ABC



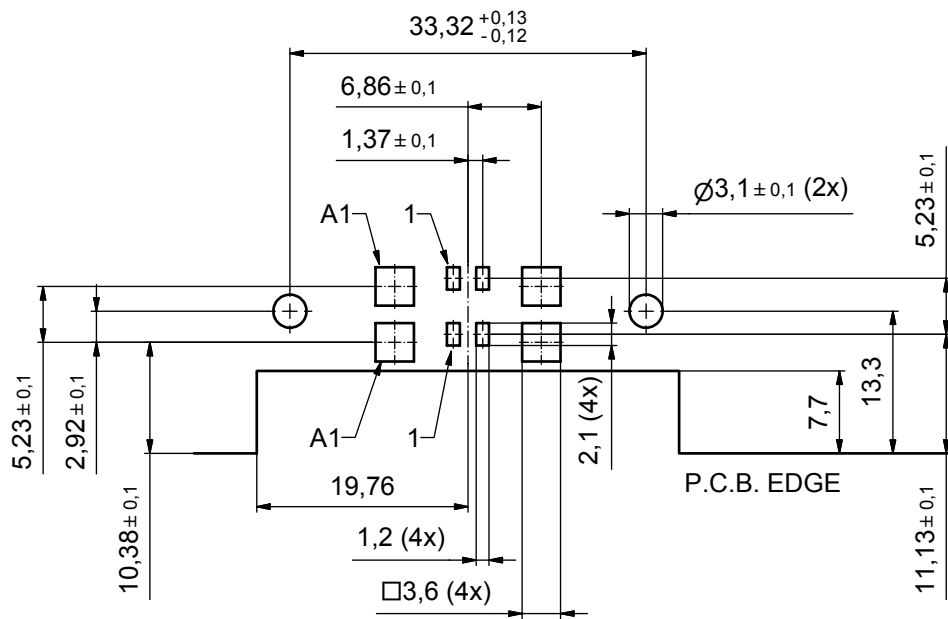
Directive 2002/95/EC  
RoHS  
Compliant

APPROVAL # FREIGABE # DEBLOCAGE # AUTORIZACION # APPROVAL	
CUSTOMER APPROVAL DATE:	
NAME:	TITLE:
COMPANY NAME:	
APPROVAL # FREIGABE # DEBLOCAGE # AUTORIZACION # APPROVAL	

THIS DRAWING MAY NOT BE COPIED OR REPRODUCED IN ANY WAY, AND MAY NOT BE PASSED ON TO A THIRD PARTY WITHOUT WRITTEN PERMISSION. OWNERSHIP AND COPYRIGHT OF CONEC GmbH			
DO NOT ALTER CAD DRAWING BY HAND			
rev.	description	date	name

finish:	see notes
tolerance	ISO 2768-m
	date
	name
	drawn
	appd.
norm	
d-old	
<b>CONEC</b> <sup>®</sup>	

scale:	2:1	
material:	see notes	
title:		
<b>SMD CONNECTOR 90°</b> Male with threaded insert, metal bracket, fixing plate, snap and hex bolt		
dwg no:	Inventor 10	DIN-A3
	13K1A2056	sh: 1
part no:	13-000031	



APPROVAL # FREIGABE # DEBLOCAGE # AUTORIZACION # APPROVAL	
CUSTOMER APPROVAL DATE:	
NAME:	TITLE:
COMPANY NAME:	
APPROVAL # FREIGABE # DEBLOCAGE # AUTORIZACION # APPROVAL	

THIS DRAWING MAY NOT BE COPIED OR REPRODUCED IN ANY WAY, AND MAY NOT BE PASSED ON TO A THIRD PARTY WITHOUT WRITTEN PERMISSION. OWNERSHIP AND COPYRIGHT OF CONEC GmbH				finish: see sheet 1		tolerance ISO 2768-m		dim. in mm		scale: 2:1	
DO NOT ALTER CAD DRAWING BY HAND				date		name		material: see sheet 1		title:	
				drawn 11.06.07		Schmidt		<b>P.C.B. LAYOUT</b> SMD Connector 90° Male with threaded insert, metal bracket, snap, hex bolt		dwg no: Inventor 10	
				appd. 11.06.07		Koch				DIN-A3	
				norm		d-old				sh: 2	
				a Origin				13K1A2056		part no: see sheet 1	
rev.		description		date				name			