

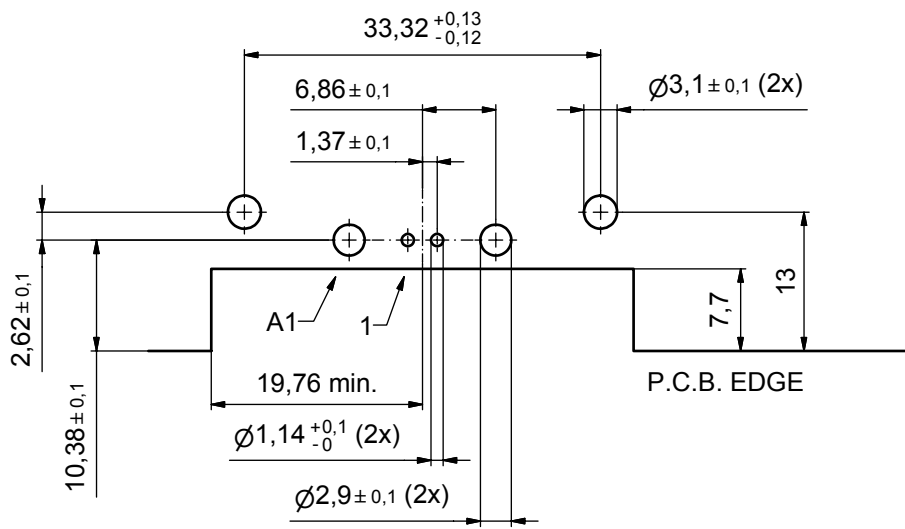
Directive 2002/95/EC  
"RoHS"  
Compliant

**NOTES:**

1. METALSHELLS: STEEL; min. 315µin TIN over 40-80µin NICKEL
2. INSULATORS: PBT GF UL 94 V-0; GREEN
3. HIGH POWER CONTACTS:  
COPPER ALLOY; min. 24A/pin @30°C TEMPERATURE RISE  
PLATING MATING AREA: 30µin HARD GOLD over min. 50µin NICKEL  
PLATING TERMINATION SIDE: 160-240µin TIN over 80µin NICKEL  
MALE CONTACT ON POS. A1 and A2
4. SIGNAL CONTACTS: COPPER ALLOY; 7,5A nominal  
PLATING MATING AREA: 30µin HARD GOLD over min. 50µin NICKEL  
MALE CONTACTS ON POS. 1 and 2, NO CONTACTS ON POS. 3, 4, 5
5. METAL BRACKET:  
ZINC DIE CAST; 300µin COPPER/40-120µin NICKEL/120-200µin TIN
6. THREADED INSERT: COPPER ALLOY; min. 200µin TIN over 80µin NICKEL
7. PCB-SNAP: COPPER ALLOY; min. 200µin TIN over 80µin NICKEL  
PCB-HOLE: ø3,1±0,1mm; PCB-THICKNESS: 1,6mm
8. MAXIMUM TORQUE VALUE FOR THREAD: 6" LBS
9. CONNECTOR IS PART MARKED: 13-000061 CONEC ABC

APPROVAL # FREIGABE # DEBLOCAGE # AUTORIZACION # APPROVAL	
CUSTOMER APPROVAL DATE:	
NAME:	TITLE:
COMPANY NAME:	
APPROVAL # FREIGABE # DEBLOCAGE # AUTORIZACION # APPROVAL	

finish: see notes				tolerance ISO 2768-m		dim. in mm		scale: 2:1	
THIS DRAWING MAY NOT BE COPIED OR REPRODUCED IN ANY WAY, AND MAY NOT BE PASSED ON TO A THIRD PARTY WITHOUT WRITTEN PERMISSION. OWNERSHIP AND COPYRIGHT OF CONEC GmbH DO NOT ALTER CAD DRAWING BY HAND				date		name		title: <b>MicroTCA Single Port 90°</b> 48V / 60V Power Module Input Connector Male with threaded insert, metal bracket and snap	
				12.06.07		Schmidt			
				12.06.07		Koch			
				norm		d-old			
a Origin				CONEC®		dwg no: Inventor 10		DIN-A3	
rev. description date name						13K1A2058		sh: 1	
				part no: 13-000061					



APPROVAL # FREIGABE # DEBLOCAGE # AUTORIZACION # APPROVAL	
CUSTOMER APPROVAL DATE:	
NAME:	TITLE:
COMPANY NAME:	
APPROVAL # FREIGABE # DEBLOCAGE # AUTORIZACION # APPROVAL	

THIS DRAWING MAY NOT BE COPIED OR REPRODUCED IN ANY WAY, AND MAY NOT BE PASSED ON TO A THIRD PARTY WITHOUT WRITTEN PERMISSION. OWNERSHIP AND COPYRIGHT OF CONEC GmbH			
DO NOT ALTER CAD DRAWING BY HAND			
rev.	description	date	name
a	Origin		

finish:	see sheet 1
tolerance	ISO 2768-m
dim. in mm	
date	name
drawn	12.06.07 Schmidt
appd.	12.06.07 Koch
norm	
d-old	
<b>CONEC</b> <sup>®</sup>	

scale:	2:1	
material:	see sheet 1	
title:	P.C.B. HOLE DRILLINGS MicroTCA Male Single Port 90° 48V / 60V Power Module Input Connector	
dwg no:	Inventor 10	DIN-A3
	13K1A2058	sh: 2
part no:	see sheet 1	