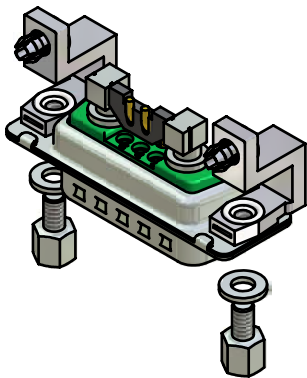


NOTES:

1. METAL SHELLS: STEEL; min. 315µm TIN over 40-80µm NICKEL
2. INSULATORS: HIGH TEMPERATURE PLASTIC UL 94 V-0; GREEN
3. HIGH POWER CONTACTS: COPPER ALLOY; min. 35A/pin @30°C TEMPERATURE RISE
PLATING MATING AREA: 30µm HARD GOLD over min. 50µm NICKEL
PLATING TERMINATION SIDE: 160-240µm TIN over 80µm NICKEL
MALE CONTACT ON POS. A1 and A2
4. SIGNAL CONTACTS: COPPER ALLOY; 5A nominal
PLATING MATING AREA: 30µm HARD GOLD over min. 50µm NICKEL
MALE CONTACTS ON POS. 1 and 2, NO CONTACTS ON POS. 3, 4, 5
5. METAL BRACKET: ZINC DIE CAST; 300µm COPPER/40-120µm NICKEL/120-200µm TIN
6. THREADED INSERT: COPPER ALLOY; min. 200µm TIN over 80µm NICKEL
7. HEX BOLT: STEEL; NICKEL PLATED
8. WASHER: STEEL; NICKEL PLATED
9. FIXING PLATE: HIGH TEMPERATURE PLASTIC UL 94 V-0, BLACK
10. PCB-SNAP: COPPER ALLOY; min. 200µm TIN over 80µm NICKEL
PCB-HOLE: $\varnothing 3,1 \pm 0,1$ mm; PCB-THICKNESS: 1,6mm
11. MAXIMUM TORQUE VALUE FOR THREAD: 6" LBS
12. CONNECTOR IS PART MARKED: 13-000071 CONEC ABC



Directive 2002/95/EC
RoHS
Compliant

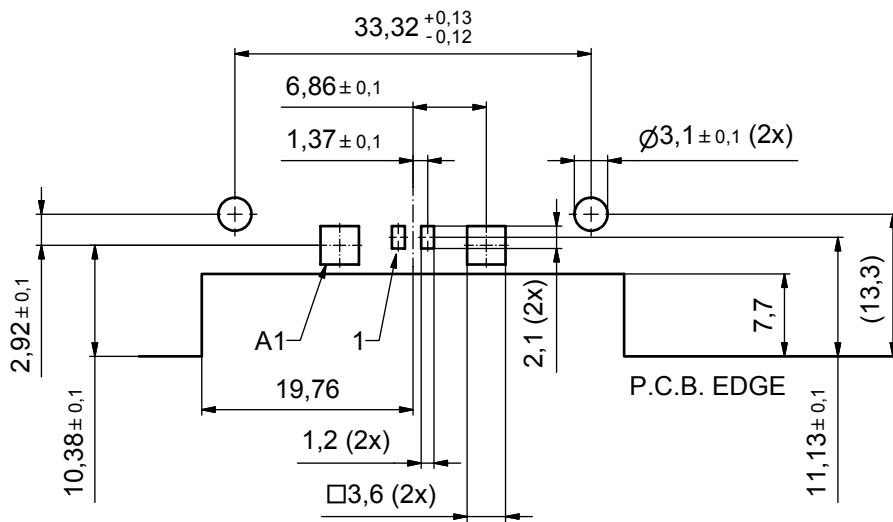
APPROVAL # FREIGABE # DEBLOCAGE # AUTORIZACION # APPROVAL	
CUSTOMER APPROVAL DATE:	
NAME:	TITLE:
COMPANY NAME:	
APPROVAL # FREIGABE # DEBLOCAGE # AUTORIZACION # APPROVAL	

THIS DRAWING MAY NOT BE COPIED OR REPRODUCED IN ANY WAY, AND MAY NOT BE PASSED ON TO A THIRD PARTY WITHOUT WRITTEN PERMISSION. OWNERSHIP AND COPYRIGHT OF CONEC GmbH			
DO NOT ALTER CAD DRAWING BY HAND			
rev.	description	date	name


finish:	see notes
tolerance	ISO 2768-m
dim. in mm	date
	name
	drawn
	appd.
norm	
d-old	

scale:	2:1	
material:	see notes	
title:		
SMD CONNECTOR 90° Male Single-Port threaded insert, metal bracket, snap, hex bolt		
dwg no:	Inventor 10	DIN-A3
	13K1A2059	sh: 1
part no:	13-000071	





APPROVAL # FREIGABE # DEBLOCAGE # AUTORIZACION # APPROVAL	
CUSTOMER APPROVAL DATE:	
NAME:	TITLE:
COMPANY NAME:	
APPROVAL # FREIGABE # DEBLOCAGE # AUTORIZACION # APPROVAL	

THIS DRAWING MAY NOT BE COPIED OR REPRODUCED IN ANY WAY, AND MAY NOT BE PASSED ON TO A THIRD PARTY WITHOUT WRITTEN PERMISSION. OWNERSHIP AND COPYRIGHT OF CONEC GmbH				DO NOT ALTER CAD DRAWING BY HAND		finish: see sheet 1		tolerance ISO 2768-m		 dim. in mm		scale: 2:1	
										material: see sheet 1			
								date		name		title:	
								drawn		13.06.07		Schmidt	
								appd.		13.06.07		Koch	
								norm				P.C.B. LAYOUT	
								d-old				SMD Connector 90° Male Single-Port	
												with threaded insert, metal bracket, snap, hex bolt	
												dwg no: Inventor 10	
												DIN-A3	
												sh: 2	
												part no: see sheet 1	

