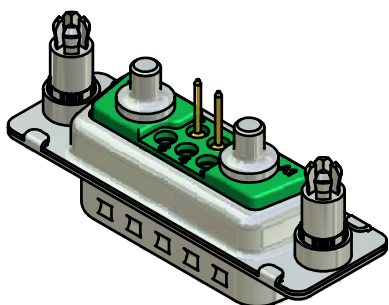
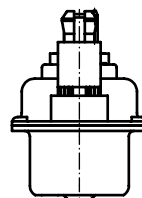
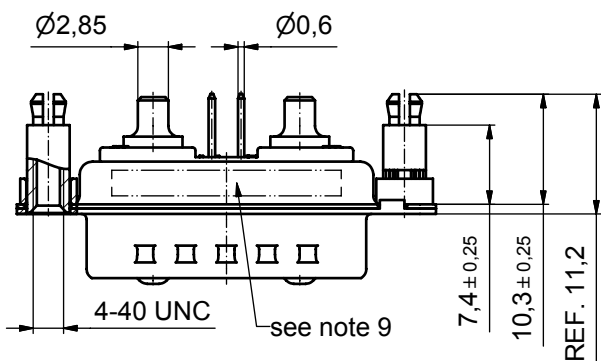
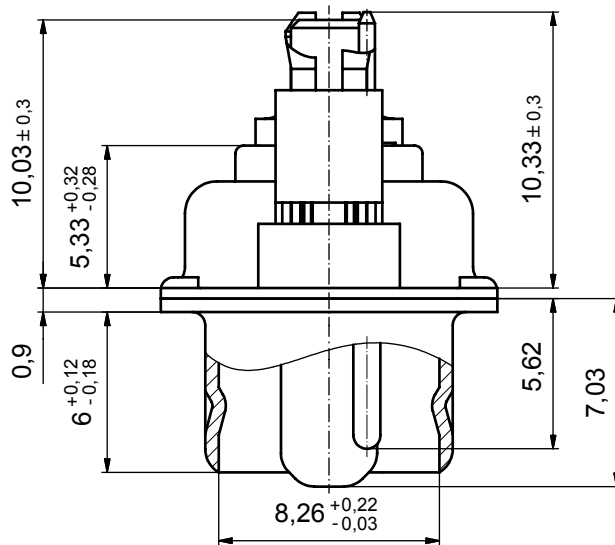
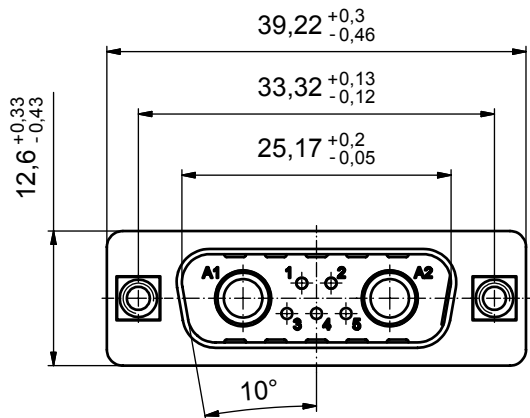


(5:1)



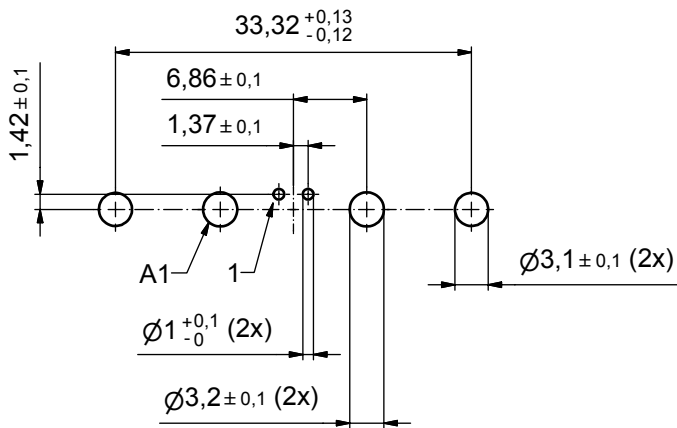
Directive 2002/95/EC  
"RoHS"  
Compliant

**NOTES:**

1. METALSHELLS: STEEL; min. 315µin TIN over 40-80µin NICKEL
2. INSULATORS: PBT GF UL 94 V-0; GREEN
3. HIGH POWER CONTACTS 20A: COPPER ALLOY  
PLATING MATING AREA: 30µin HARD GOLD over min. 50µin NICKEL  
PLATING TERMINATION SIDE: 160-240µin TIN over 80µin NICKEL  
MALE CONTACT ON POS. A1 and A2
4. SIGNAL CONTACTS: COPPER ALLOY; 7,5A nominal  
PLATING MATING AREA: 30µin HARD GOLD over min. 50µin NICKEL  
MALE CONTACTS ON POS. 1 and 2, NO CONTACTS ON POS. 3, 4, 5
5. THREADED SPACER CLIP: COPPER ALLOY; min. 200µin TIN over 80µin NICKEL  
PCB-HOLE:  $\varnothing 3,1 \pm 0,1$ mm; PCB-THICKNESS: 1,6mm
6. P.C.B. HOLE DRILLINGS ON SHEET 2
7. COLLAR: COPPER ALLOY; min. 200µin TIN over 80µin NICKEL
8. MAXIMUM TORQUE VALUE FOR THREAD: 6" LBS
9. CONNECTOR IS PART MARKED: 13-000121 CONEC ABC

APPROVAL # FREIGABE # DEBLOCAGE # AUTORIZACION # APPROVAL	APPROVAL # FREIGABE # DEBLOCAGE # AUTORIZACION # APPROVAL
CUSTOMER APPROVAL DATE:	
NAME:	TITLE:
COMPANY NAME:	
APPROVAL # FREIGABE # DEBLOCAGE # AUTORIZACION # APPROVAL	APPROVAL # FREIGABE # DEBLOCAGE # AUTORIZACION # APPROVAL

THIS DRAWING MAY NOT BE COPIED OR REPRODUCED IN ANY WAY, AND MAY NOT BE PASSED ON TO A THIRD PARTY WITHOUT WRITTEN PERMISSION. OWNERSHIP AND COPYRIGHT OF CONEC GmbH				tolerance		 dim. in mm	scale: 2:1 (5:1)	
				date			material: see notes	
DO NOT ALTER CAD DRAWING BY HAND				drawn	15.06.07	title: <b>Micro TCA Single Port</b> Power Module Input Connector Male with threaded spacer clip		
				appd.	15.06.07			
				norm				
				d-old		dwg no:	Inventor 10	DIN-A3
a	Origin	CONEC®		13K1A2067	sh: 1			
rev.	description	date	name	part no: 13-000121				



APPROVAL # FREIGABE # DEBLOCAGE # AUTORIZACION # APPROVAL	
CUSTOMER APPROVAL DATE:	
NAME:	TITLE:
COMPANY NAME:	
APPROVAL # FREIGABE # DEBLOCAGE # AUTORIZACION # APPROVAL	

THIS DRAWING MAY NOT BE COPIED OR REPRODUCED IN ANY WAY, AND MAY NOT BE PASSED ON TO A THIRD PARTY WITHOUT WRITTEN PERMISSION. OWNERSHIP AND COPYRIGHT OF CONEC GmbH

DO NOT ALTER CAD DRAWING BY HAND

rev.	description	date	name	tolerance	dim. in mm	
					date	name
				drawn	15.06.07	Schmidt
				appd.	15.06.07	Koch
				norm		
				d-old		
a	Origin			<b>CONEC</b> <sup>®</sup>		

scale:	2:1	
material:	see sheet 1	
title:	P.C.B. HOLE DRILLINGS MicroTCA Male Single Port Power Module Input Connector	
dwg no:	Inventor 10	DIN-A3
	13K1A2067	sh: 2
part no:	see sheet 1	