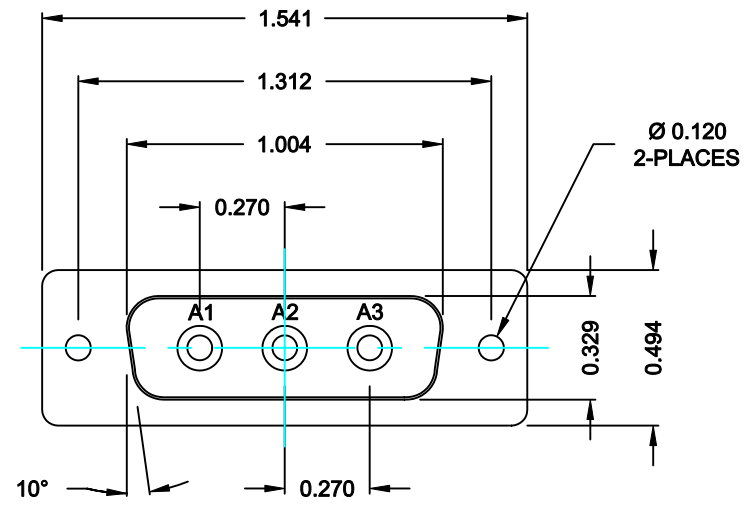


DESCRIPTION: POWER - SOLDER CUP - MALE



**SPECIFICATIONS:**

**ELECTRICAL:**  
 INSULATOR RESISTANCE: 5,000 MegOHMS Min.  
 DIELECTRIC WITHSTANDING: 1,000VAC r.m.s.  
 OPERATING TEMPERATURE: -55° C ~ +125° C  
 CONTACT RESISTANCE: 30 MilliOHMS Max.  
 POWER PINS: SEE PART No. BELOW

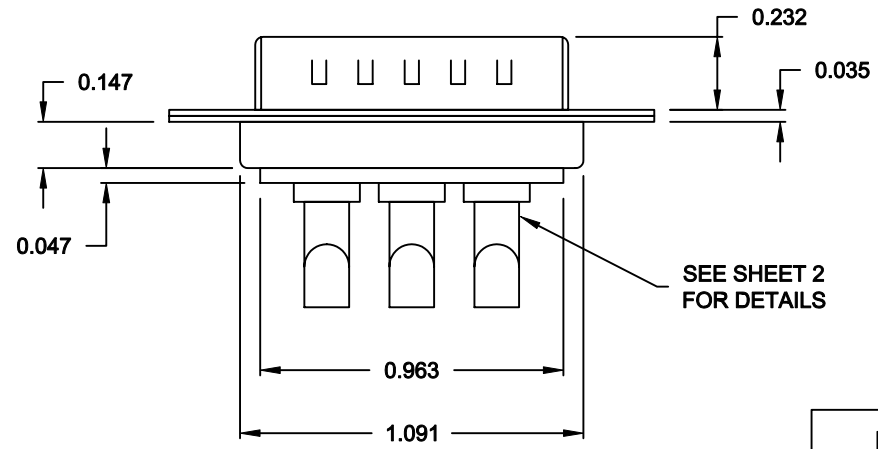
**MECHANICAL:**  
 CONTACT INSERTION FORCE: 4.5 Kg Max.  
 CONTACT SEPARATOR FORCE: 0.3Kg Min.

**MATERIALS:**  
 CONTACTS: BRASS  
 INSULATOR: PBT UL94V-0 RATED, 230°C PROCESS TEMP.  
 SHELL: STEEL


**FINISH:**  
 SHELL: NICKEL

**6803W3103LYY1**

20 = 20 AMPS  
 40 = 40 AMPS

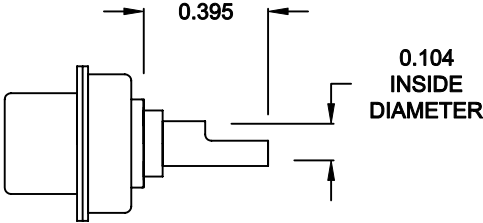


**RoHS COMPLIANT**

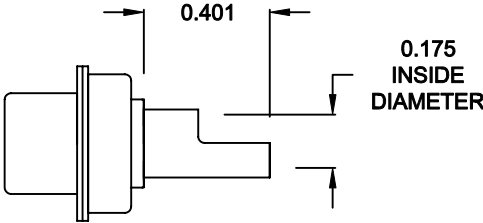
|  |   |                              |                            |                       |
|--|---|------------------------------|----------------------------|-----------------------|
|  | THESE DRAWINGS AND SPECIFICATIONS ARE THE PROPERTY OF NorComp AND SHALL NOT BE REPRODUCED, COPIED OR USED AS THE BASIS FOR THE MANUFACTURE OF SALE OF APPARATUS WITHOUT WRITTEN PERMISSION. |                              | DRAWN: <b>C. SMITH</b>     | DATE: <b>09-11-06</b> |
|  |   |                              | CHECKED: <b>X</b>          | DATE: <b>X</b>        |
| <b>NorComp</b>   |   | SCALE: <b>N.T.S.</b>         | SHEET <b>1</b> OF <b>2</b> | REV <b>0</b>          |
|  |   | DWG NO. <b>6803W3103LYY1</b> |                            |                       |

DESCRIPTION: 680 SERIES CONTACTS

NOTE:  
POWER CONTACTS COME  
PRE-LOADED INTO INSULATORS




20 AMP POWER CONTACTS  
ACCEPTS UP TO 12 AWG WIRE



40 AMP POWER CONTACTS  
ACCEPTS UP TO 8 AWG WIRE

RoHS COMPLIANT

|  |   |                              |                            |                          |
|--|---|------------------------------|----------------------------|--------------------------|
|  | THESE DRAWINGS AND SPECIFICATIONS ARE THE PROPERTY OF NorComp AND SHALL NOT BE REPRODUCED, COPIED OR USED AS THE BASIS FOR THE MANUFACTURE OF SALE OF APPARATUS WITHOUT WRITTEN PERMISSION. |                              | DRAWN:<br><b>C. SMITH</b>  | DATE:<br><b>09-11-06</b> |
|  |   |                              | CHECKED:<br><b>X</b>       | DATE:<br><b>X</b>        |
| NorComp  |   | SCALE:<br><b>N.T.S.</b>      | SHEET <b>2</b> OF <b>2</b> | REV <b>0</b>             |
|  |   | DWG NO. <b>6803W3103LYY1</b> |                            |                          |