

DESCRIPTION: POWER - SOLDER CUP - FEMALE

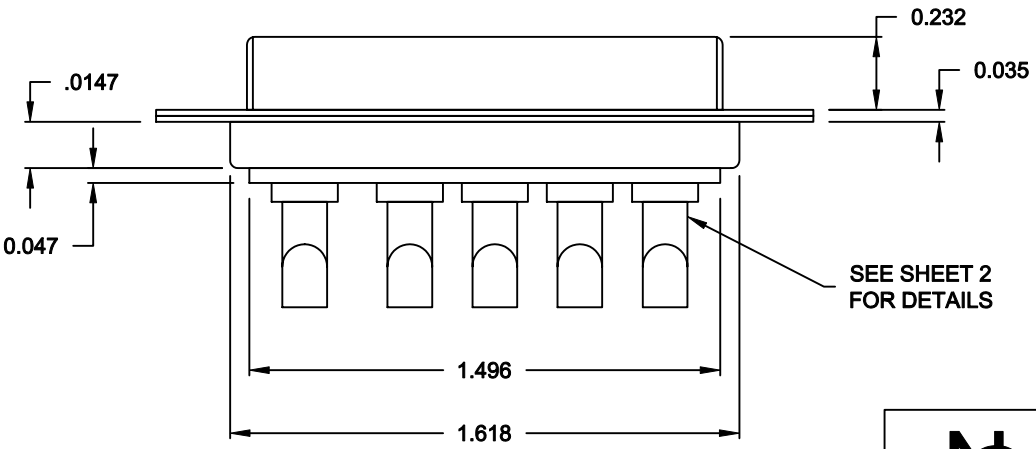
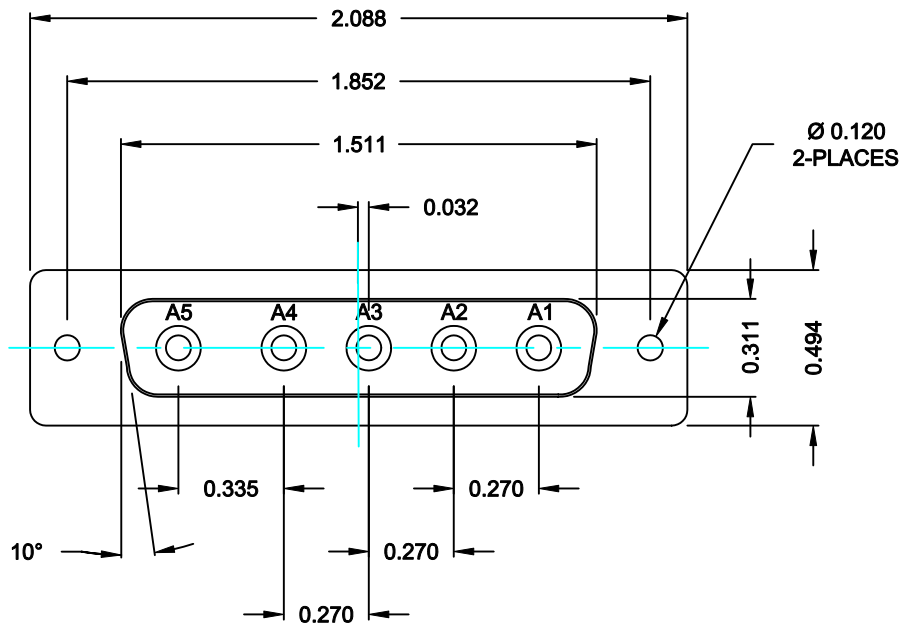
**SPECIFICATIONS:**

**ELECTRICAL:**  
 INSULATOR RESISTANCE: 5,000 MegOHMS Min.  
 DIELECTRIC WITHSTANDING: 1,000VAC r.m.s.  
 OPERATING TEMPERATURE: -55° C ~ +125° C  
 CONTACT RESISTANCE: 30 MillioHMS Max.  
 POWER PINS: SEE PART No. BELOW

**MECHANICAL:**  
 CONTACT INSERTION FORCE: 4.5 Kg Max.  
 CONTACT SEPARATOR FORCE: 0.3Kg Min.

**MATERIALS:**  
 CONTACTS: BRASS  
 INSULATOR: PBT UL94V-0 RATED,  
 230°C PROCESS TEMP.  
 SHELL: STEEL

**FINISH:**  
 SHELL: NICKEL



**6805W5203LYY1**

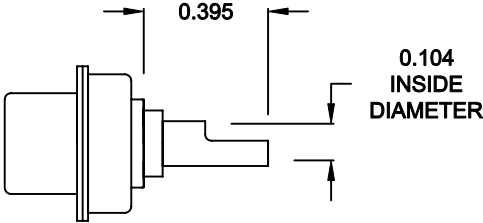
20 = 20 AMPS  
 40 = 40 AMPS

**RoHS COMPLIANT**

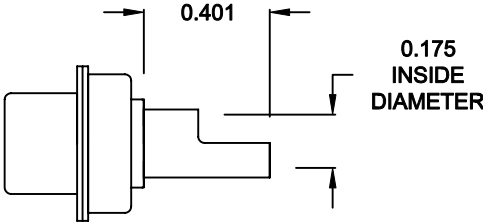
|                |   |                   |                           |                          |
|----------------|---|-------------------|---------------------------|--------------------------|
|                | THESE DRAWINGS AND SPECIFICATIONS ARE THE PROPERTY OF NorComp AND SHALL NOT BE REPRODUCED, COPIED OR USED AS THE BASIS FOR THE MANUFACTURE OF SALE OF APPARATUS WITHOUT WRITTEN PERMISSION. |                   | DRAWN:<br><b>C. SMITH</b> | DATE:<br><b>09-11-06</b> |
|                |   |                   | CHECKED:<br><b>X</b>      | DATE:<br><b>X</b>        |
| <b>NorComp</b> | SCALE:<br><b>N.T.S.</b>   | SHEET<br><b>1</b> | OF<br><b>2</b>            | REV<br><b>0</b>          |
|                | DWG NO. <b>6805W5203LYY1</b>  |                   |                           |                          |

DESCRIPTION: 680 SERIES CONTACTS

NOTE:  
POWER CONTACTS COME  
PRE-LOADED INTO INSULATORS




20 AMP POWER CONTACTS  
ACCEPTS UP TO 12 AWG WIRE



40 AMP POWER CONTACTS  
ACCEPTS UP TO 8 AWG WIRE

RoHS COMPLIANT

|  |   |                            |                       |  |
|--|---|----------------------------|-----------------------|--|
|  | THESE DRAWINGS AND SPECIFICATIONS ARE THE PROPERTY OF NorComp AND SHALL NOT BE REPRODUCED, COPIED OR USED AS THE BASIS FOR THE MANUFACTURE OF SALE OF APPARATUS WITHOUT WRITTEN PERMISSION. | DRAWN: <b>C. SMITH</b>     | DATE: <b>09-11-06</b> |  |
|  |   | CHECKED: <b>X</b>          | DATE: <b>X</b>        |  |
| <h1>NorComp</h1>   | SCALE: <b>N.T.S.</b>  | SHEET <b>2</b> OF <b>2</b> | REV <b>0</b>          |  |
|  | DWG NO. <b>6805W5203LYY1</b>  |                            |                       |  |