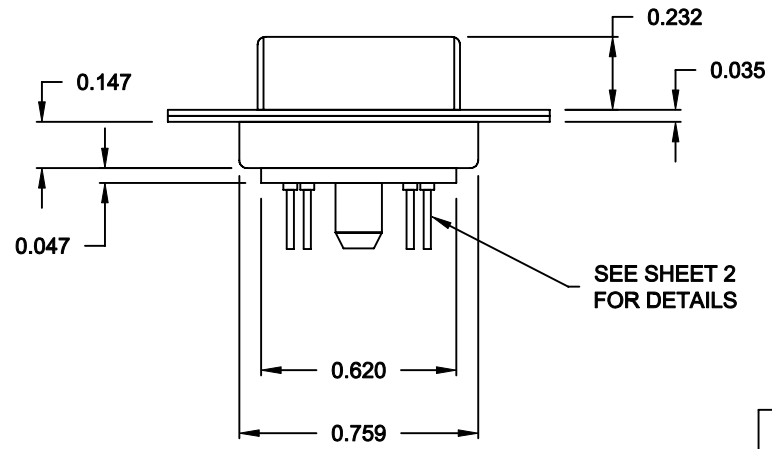
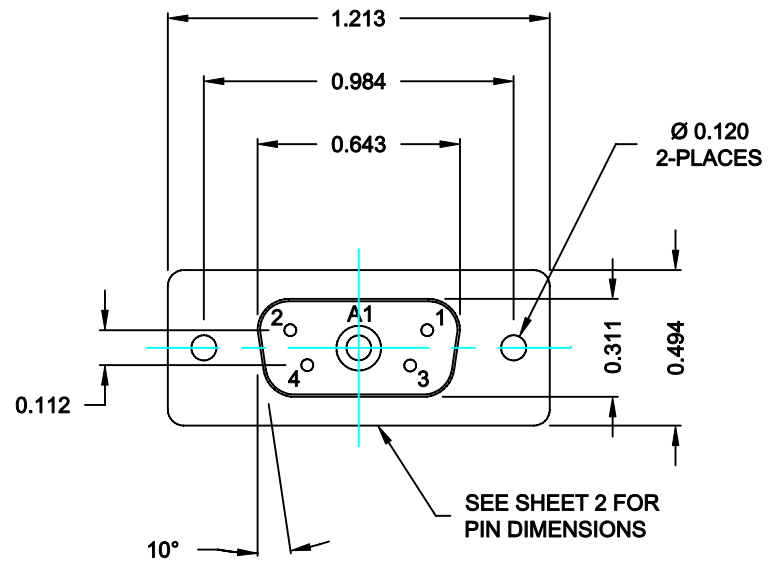


DESCRIPTION: POWER / SIGNAL - VERTICAL BOARD - FEMALE



SPECIFICATIONS:

ELECTRICAL:
 INSULATOR RESISTANCE: 5,000 MegOHMS Min.
 DIELECTRIC WITHSTANDING: 1,000VAC r.m.s.
 OPERATING TEMPERATURE: -55° C ~ +125° C
 CONTACT RESISTANCE: 30 MilliOHMS Max.
 POWER PINS: SEE PART No. BELOW
 SIGNAL PINS: 3 AMPS

MECHANICAL:
 CONTACT INSERTION FORCE: 4.5 Kg Max.
 CONTACT SEPARATOR FORCE: 0.3Kg Min.


MATERIALS:
 CONTACTS: BRASS
 INSULATOR: PBT UL94V-0 RATED,
 230°C PROCESS TEMP.
 SHELL: STEEL

FINISH:
 SHELL: NICKEL

6815W1203L001

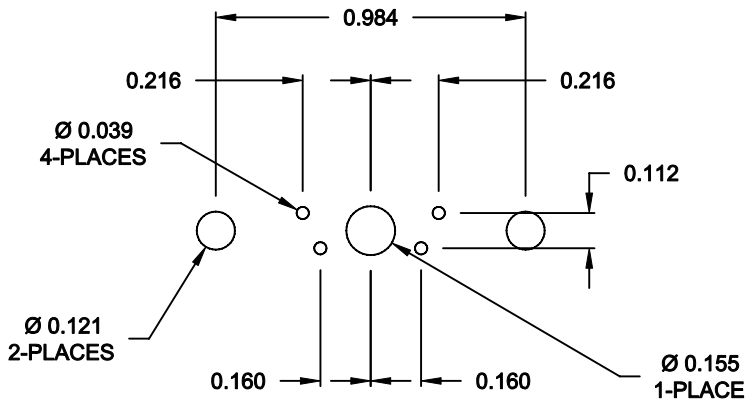
00 = 20 / 40 AMPS

RoHS COMPLIANT

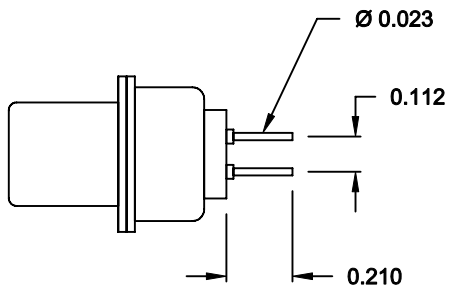
	THESE DRAWINGS AND SPECIFICATIONS ARE THE PROPERTY OF NorComp AND SHALL NOT BE REPRODUCED, COPIED OR USED AS THE BASIS FOR THE MANUFACTURE OF SALE OF APPARATUS WITHOUT WRITTEN PERMISSION.		DRAWN: C. SMITH	DATE: 09-19-06
			CHECKED: X	DATE: X
<h1>NorComp</h1>		SCALE: N.T.S.	SHEET 1 OF 2	REV 0
		DWG NO. 6815W1203L001		

DESCRIPTION: 681 SERIES CONTACTS

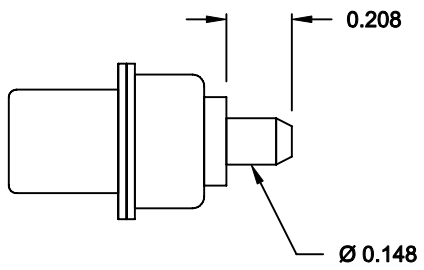
NOTE:
SIGNAL AND POWER CONTACTS
COME PRE-LOADED INTO INSULATORS



RECOMMENDED PCB LAYOUT




SIGNAL CONTACTS



POWER CONTACTS

RoHS COMPLIANT

	THESE DRAWINGS AND SPECIFICATIONS ARE THE PROPERTY OF NorComp AND SHALL NOT BE REPRODUCED, COPIED OR USED AS THE BASIS FOR THE MANUFACTURE OF SALE OF APPARATUS WITHOUT WRITTEN PERMISSION.		DRAWN: C. SMITH	DATE: 09-19-06
	<h1>NorComp</h1>		CHECKED: X	DATE: X
SCALE: N.T.S.			SHEET 2 OF 2	REV 0
			DWG NO. 6815W1203L001	