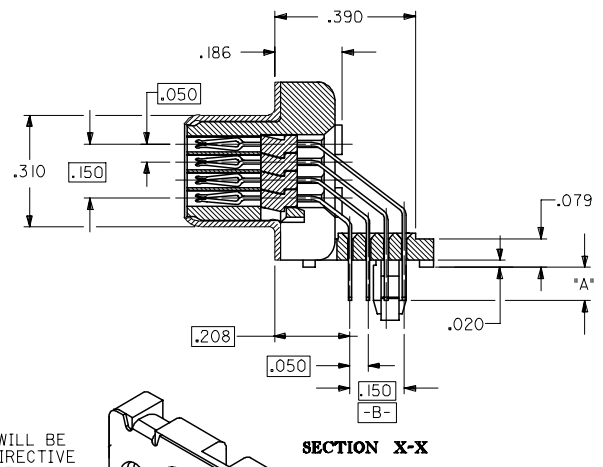
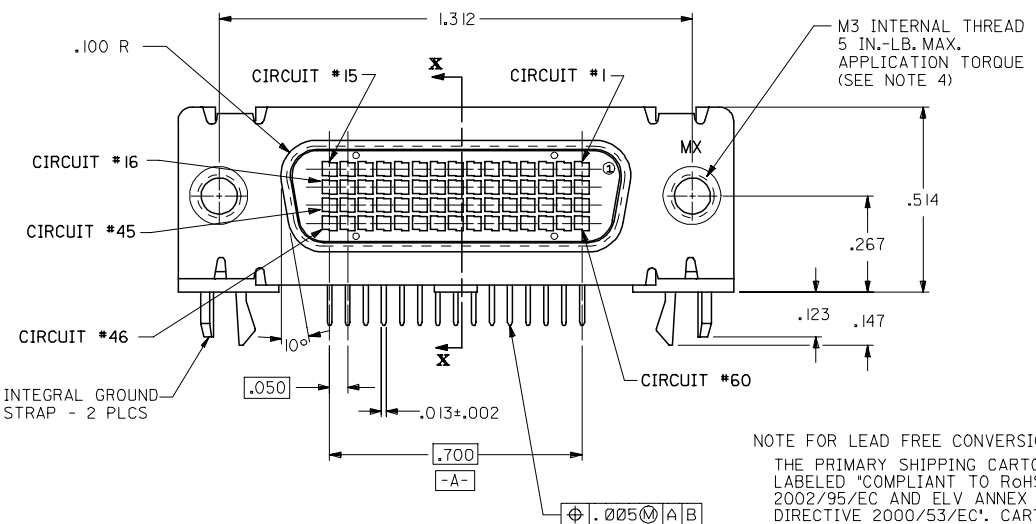
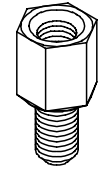


ITEM NUMBER	DIMENSION "A"	PLATING (SEE NOTE 2)	HEXAGONAL SCREWLOCKS PACKAGED WITH CONNECTORS	SCREWLOCK ITEM NUMBER (SEE SD-70982-****)	PACKAGED PER PACKAGING SPECIFICATION
70928-2000	.079±.010	30 GOLD	NO	_____	PK-70873-0291
70928-2001	.092±.010	30 GOLD	NO	_____	PK-70873-0291
70928-2002	.104±.010	30 GOLD	NO	_____	PK-70873-0291
70928-2003	.079±.010	30 GOLD	YES	70982-1003; 4-40 INTERNAL THD	PK-70873-0686
70928-2005	.079±.010	30 GOLD	YES	70982-1004; M-3 INTERNAL THD	PK-70873-0686
70928-2007	.125±.010	30 GOLD	NO	_____	PK-70873-0291
70928-2008	.092±.010	30 GOLD	YES	70982-1003; 4-40 INTERNAL THD	PK-70873-0686
70928-2009	.092±.010	GOLD FLASH	NO	_____	PK-70873-0291
70928-2010	.092±.010	GOLD FLASH	YES	70982-1003; 4-40 INTERNAL THD	PK-70873-0686



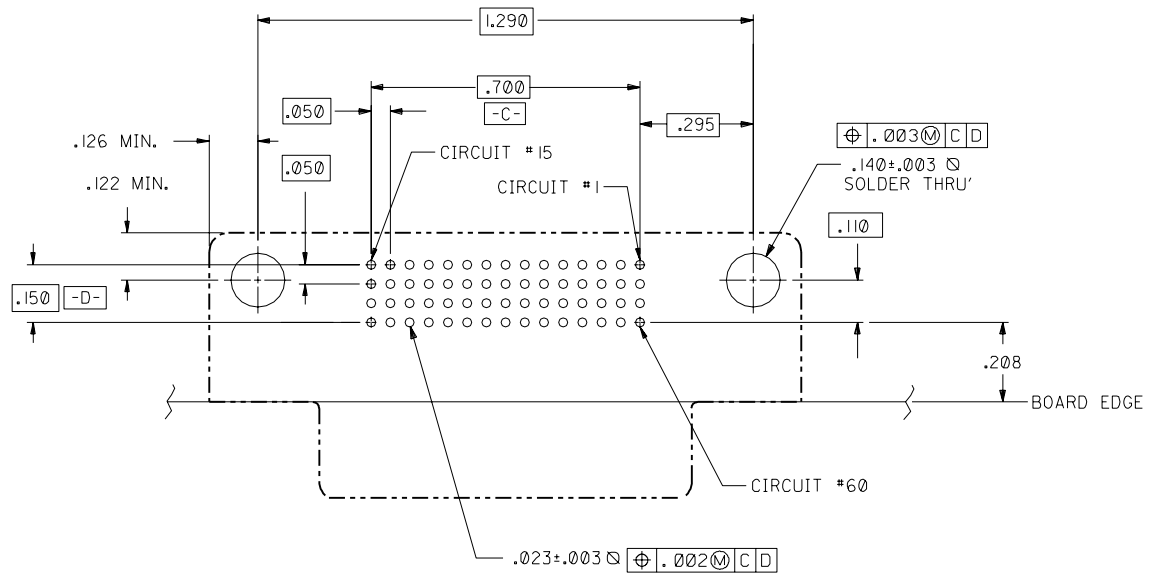
NOTE FOR LEAD FREE CONVERSION:
 THE PRIMARY SHIPPING CARTON WILL BE LABELED *COMPLIANT TO ROHS DIRECTIVE 2002/95/EC AND ELV ANNEX II OF DIRECTIVE 2000/53/EC*. CARTONS WITHOUT THIS LABEL MAY CONTAIN PRODUCT WITH LEAD.



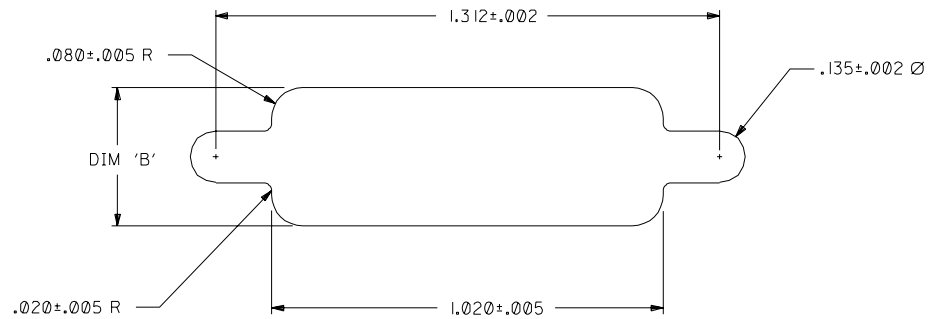
- NOTES:
- MATERIALS:
 HOUSING AND MOLDED STICK: GLASS FILLED POLYMER, 94V-0, COLOR BLACK.
 TERMINALS: COPPER ALLOY .010±.0005 THICK.
 OUTER SHELL: DEEP DRAWN STEEL, .016/(0.40) THICK.
 HEXAGONAL SCREWLOCK: STEEL.
 - PLATING:
 TERMINALS (SEE CHART TO DETERMINE WHICH PART NUMBER HAS WHICH PLATING):
 30 GOLD -- 30 MICRONS/(0.76 MICROMETERS) MINIMUM SELECTIVE GOLD (Au) IN THE CONTACT AREA,
 100 MICRONS/(2.54 MICROMETERS) MINIMUM SELECTIVE TIN (Sn) IN PC TAIL AREA,
 OVER NICKEL (Ni) UNDERPLATE OVERALL.
 GOLD FLASH -- SELECTIVE GOLD (Au) FLASH IN THE CONTACT AREA,
 100 MICRONS/(2.54 MICROMETERS) MINIMUM SELECTIVE TIN (Sn) IN PC TAIL AREA,
 OVER NICKEL (Ni) UNDERPLATE OVERALL.
 OUTERSHELL: 150 MICRONS/(3.81 MICROMETERS) MINIMUM TIN (Sn) OVER 50 MICRONS/(1.27 MICROMETERS) MINIMUM NICKEL (Ni) OVERALL.
 - CONFORMS TO PRODUCT SPECIFICATION PS-70928.
 - THREAD GAGE MAY REQUIRE UP TO 1 N.-L.B. OF TORQUE DURING GAGING PROCESS.
 - PART COMPLIES WITH CLASS B OF COSMETIC SPECIFICATION PS-45499-002

2	E
1	J
SHT	REV

ADD NOTE 5 EC NO: UCP2006-3051 DRAWN BY: BARRA 2006/07/10 CHKD: BMORGAN 2006/07/10 APPR: SMILLER 2006/07/11	QUALITY SYMBOLS ▽=0 ▽=0	GENERAL TOLERANCES (UNLESS SPECIFIED)		DIMENSION STYLE INCH ONLY		SCALE 4:1	DESIGN UNITS INCH	THIRD ANGLE PROJECTION
		mm	INCH	DRAWN BY	DATE			
		4 PLACES ± ---	± ---	MOS	1993/02/08			
		3 PLACES ± ---	± ---	CHECKED BY	DATE			
2 PLACES ± ---	± ---	CAB	1993/02/08	TITLE .050 PITCH LFH 60 CKT RIGHT ANGLE I/O RECEPTACLE		MATERIAL NO. SDA-70928-20**		SHEET NO. 1 OF 2
1 PLACE ± ---	± ---	APPROVED BY	DATE	THIS DRAWING CONTAINS INFORMATION THAT IS PROPRIETARY TO MOLEX INCORPORATED AND SHOULD NOT BE USED WITHOUT WRITTEN PERMISSION				
ANGULAR ±1/2°		CAB 1993/02/08		MOLEX INCORPORATED				
DRAFT WHERE APPLICABLE MUST REMAIN WITHIN DIMENSIONS		SEE TABLE		MOLEX INCORPORATED				



COMPONENT SIDE
RECOMMENDED P.C.B. LAYOUT



RECOMMENDED PANEL CUT-OUT

DIM. 'B'	PANEL THICKNESS
.380±.005	.039
.420±.005	.064

E	SEE SHEET I
B2	SEE SHEET I
B	SEE SHEET I
A1	SEE SHEET I

DIMENSIONS SHOWN (METRIC) INCH		▽ = 0		▼ = 0		REVISE ONLY ON CAD SYSTEM	
UNLESS OTHERWISE SPECIFIED TOLERANCES ANGULAR ± 1/2°							
3 PLACE ± --- ---		INCH		METRIC		TITLE	
2 PLACE ± --- ± ---		---		---		.050" PITCH LFH 60CKT RIGHT ANGLE I/O RECEPTACLE	
1 PLACE --- ± ---		---		---		SHEET NO. 2 DATE 4/15/94	
DRAFT WHERE APPLICABLE MUST REMAIN WITHIN DIMENSIONS							
DRAWN BY DKS		CHK'D BY		PART NO. S70928X2A		DRWG. NO. SDA-70928-20	
APP'D BY		SCALE 4:1		MOLEX INCORPORATED		DIV. CD	
THIS DRAWING CONTAINS INFORMATION THAT IS PROPRIETARY TO MOLEX INC. AND SHOULD NOT BE USED WITHOUT WRITTEN PERMISSION							

70928