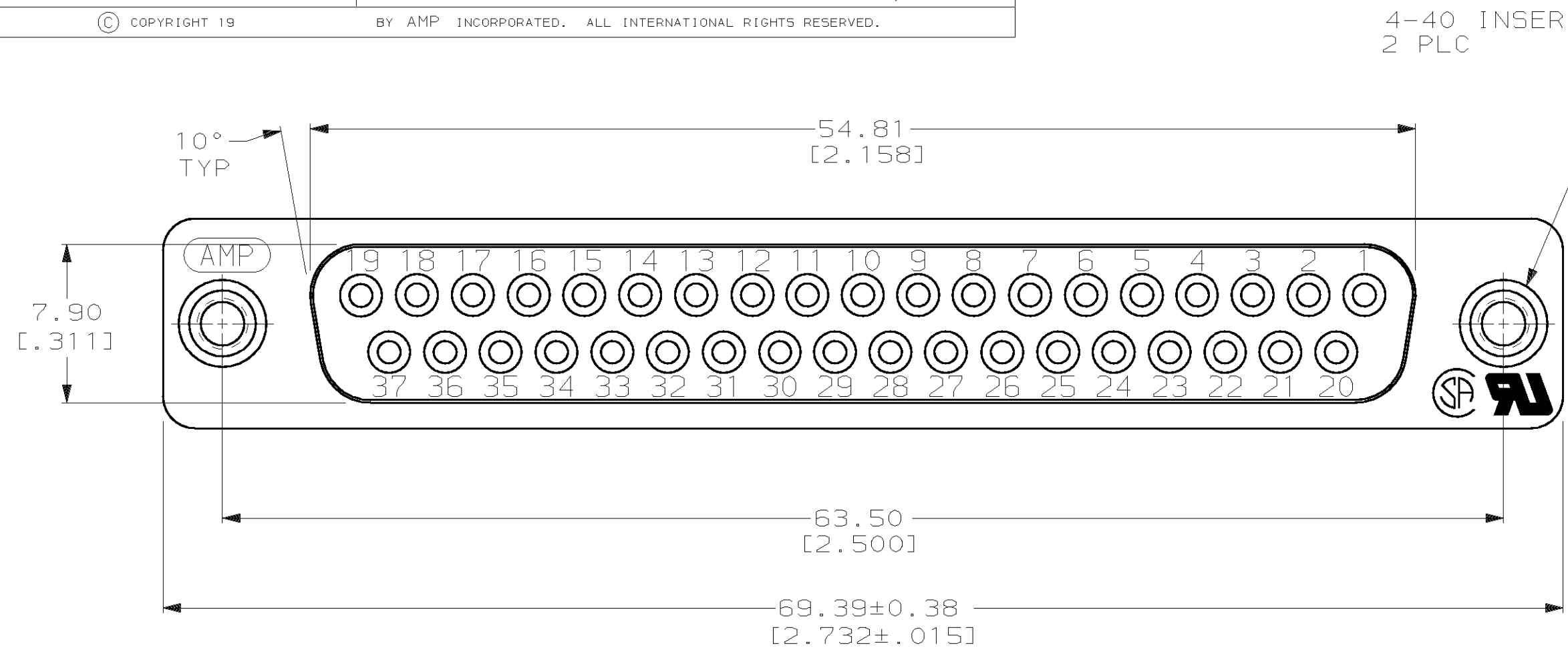
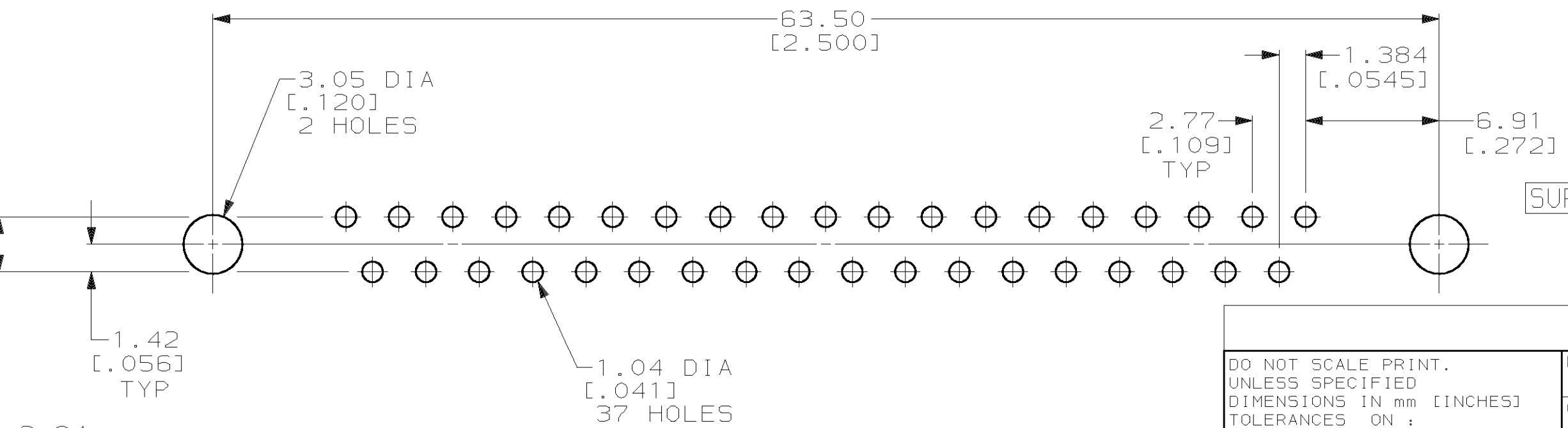
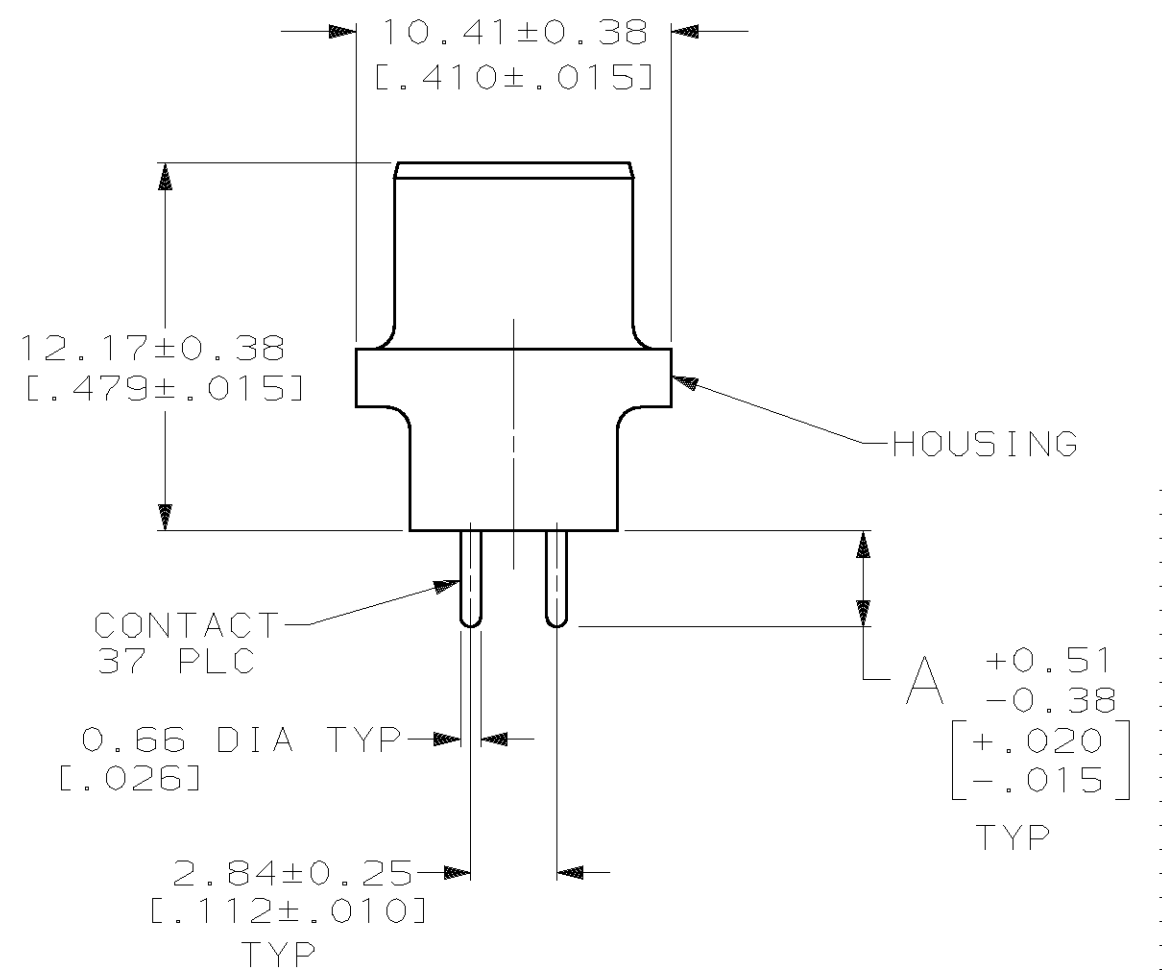
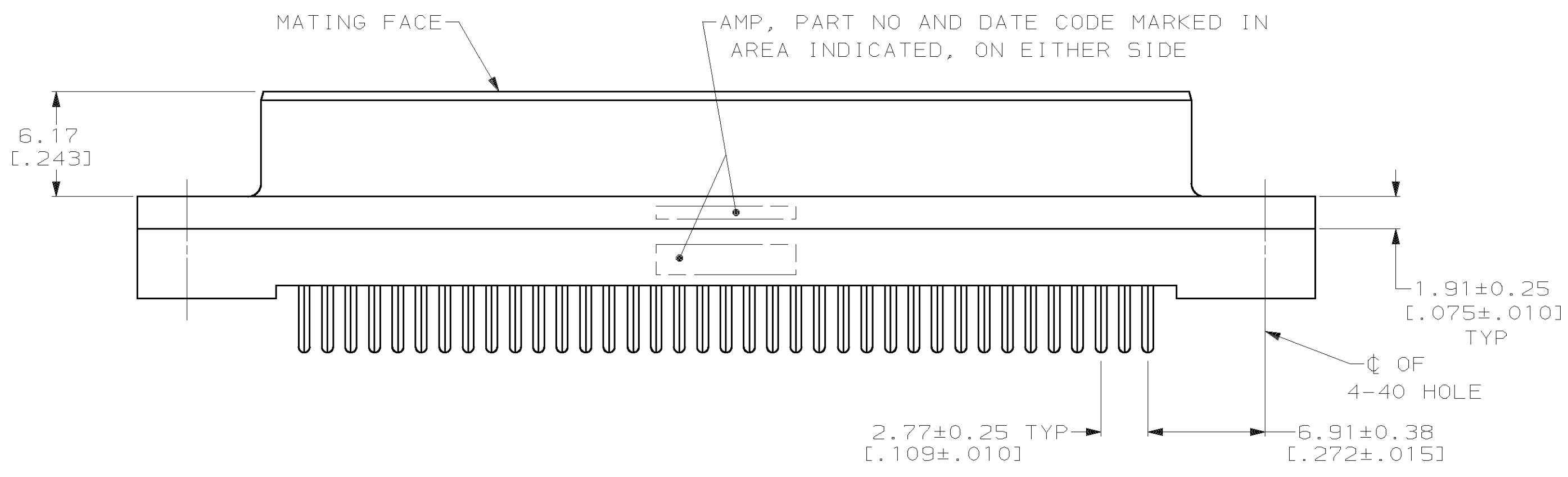


THIS DRAWING IS UNPUBLISHED. RELEASED FOR PUBLICATION  
 © COPYRIGHT 19 BY AMP INCORPORATED. ALL INTERNATIONAL RIGHTS RESERVED.

LOC		DIST		P		F		REVISIONS			
ZONE	LTR	DESCRIPTION		DATE	APPD						
BD	77					C	REDRAWN & REVISED, ECN BD3361	11-89	SS		
						D	OBS 745059-1 BD6038	06/09/92	CR		
						E	SUPSD-5 & OBS-7 PER EC 0020-964-93	04/11/94	CR		
						F	OBS -3, -6 AND REV PER OU1D-0126-00	01 NOV 00	RF		



- ① HOUSING: BLACK POLYESTER, UL 94V-0 RATED; CONTACTS: PHOSPHOR BRONZE PER QQ-B-750; INSERTS: BRASS PER QQ-B-626.
- ② GOLD PLATING PER MIL-G-45204, TIN PLATING PER MIL-T-10727, NICKEL PLATING PER QQ-N-290.
- ③ GOLD FLASH FOR A LENGTH OF 2.54[.100] MIN FROM MATING END, 2.54µm[.000100] MIN TIN OR TIN-LEAD FOR A LENGTH OF DIMENSION A FROM OPPOSITE END, ALL OVER 1.27µm[.000050] MIN NICKEL.
- ④ 0.76µm[.000030] MIN GOLD FOR A LENGTH OF 2.54[.100] MIN FROM MATING END, 2.54µm[.000100] MIN TIN OR TIN-LEAD FOR A LENGTH OF DIMENSION A FROM OPPOSITE END, ALL OVER 1.27µm[.000050] MIN NICKEL.



REV	DESCRIPTION	DATE	APPD
1	OBSOLETE	6.35 [.250]	④ 745059-8
2	OBSOLETE	6.35 [.250]	③ 745059-7
3	OBSOLETE	4.32 [.170]	④ 745059-6
4	SUPERSEDED BY 745059-6	4.32 [.170]	③ 745059-5
5		3.18 [.125]	④ 745059-4
6	OBSOLETE	3.18 [.125]	③ 745059-3
7	OBSOLETE	3.56 [.140]	③ 745059-1

RECOMMENDED PC BOARD MOUNTING DIMENSIONS

DO NOT SCALE PRINT. UNLESS SPECIFIED DIMENSIONS IN mm [INCHES] TOLERANCES ON : 2 PLC DEC ± 0.13 [.005] 3 PLC DEC ± - ANGLES ± 2°		DR 11-15-89 J McCLINTON		AMP INCORPORATED Harrisburg, Pa. 17105	
MATERIAL		CHK 2-1-90 R. STONE			
FINISH ② CONTACT: SEE TABLE		APPD 2-2-90 S. SCHIEFERLY		NAME RECEPTACLE ASSEMBLY, SIZE 4, 37 POSN, VERTICAL, AMPLIMITE® HD-20	
①		APPD 2-2-90 C. ROHDE		SIZE C 00779	
		PRODUCT SPEC 108-40025		DRAWING NO 745059	
		APPLICATION SPEC -		SCALE 4:1	
		WEIGHT -		SHEET 1 OF 1	