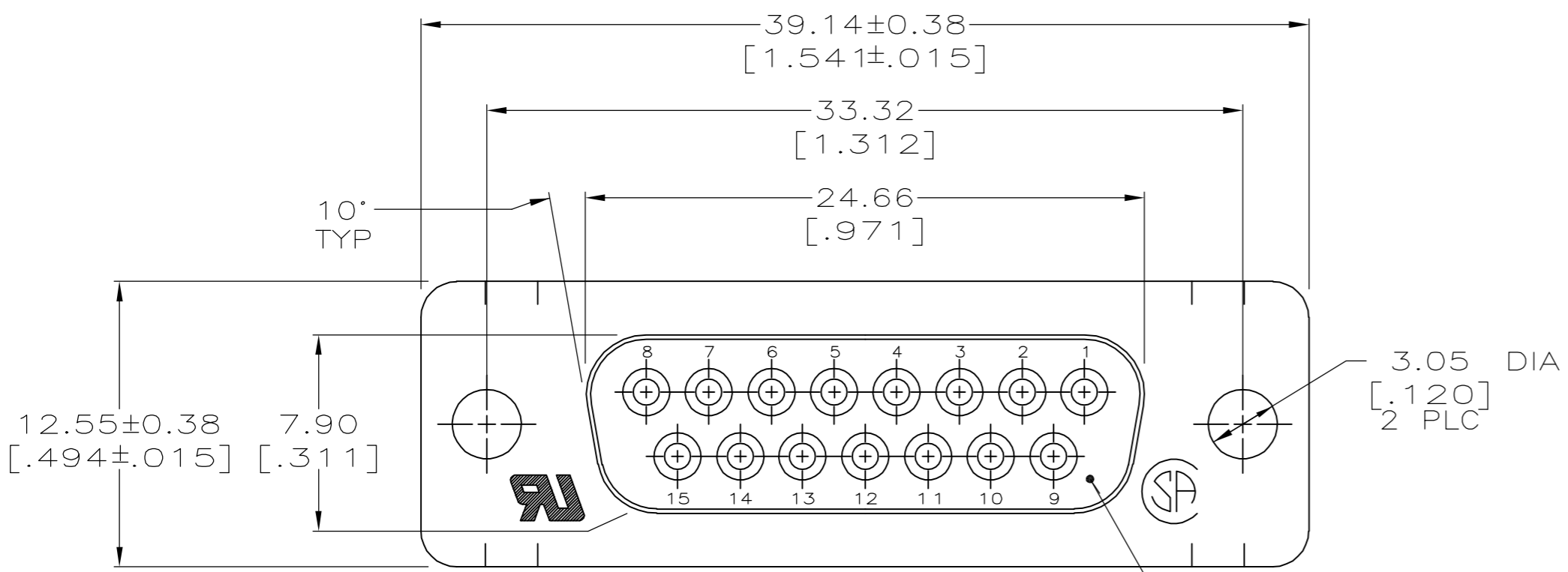


THIS DRAWING IS UNPUBLISHED. RELEASED FOR PUBLICATION
 © COPYRIGHT BY TYCO ELECTRONICS CORPORATION. ALL RIGHTS RESERVED.

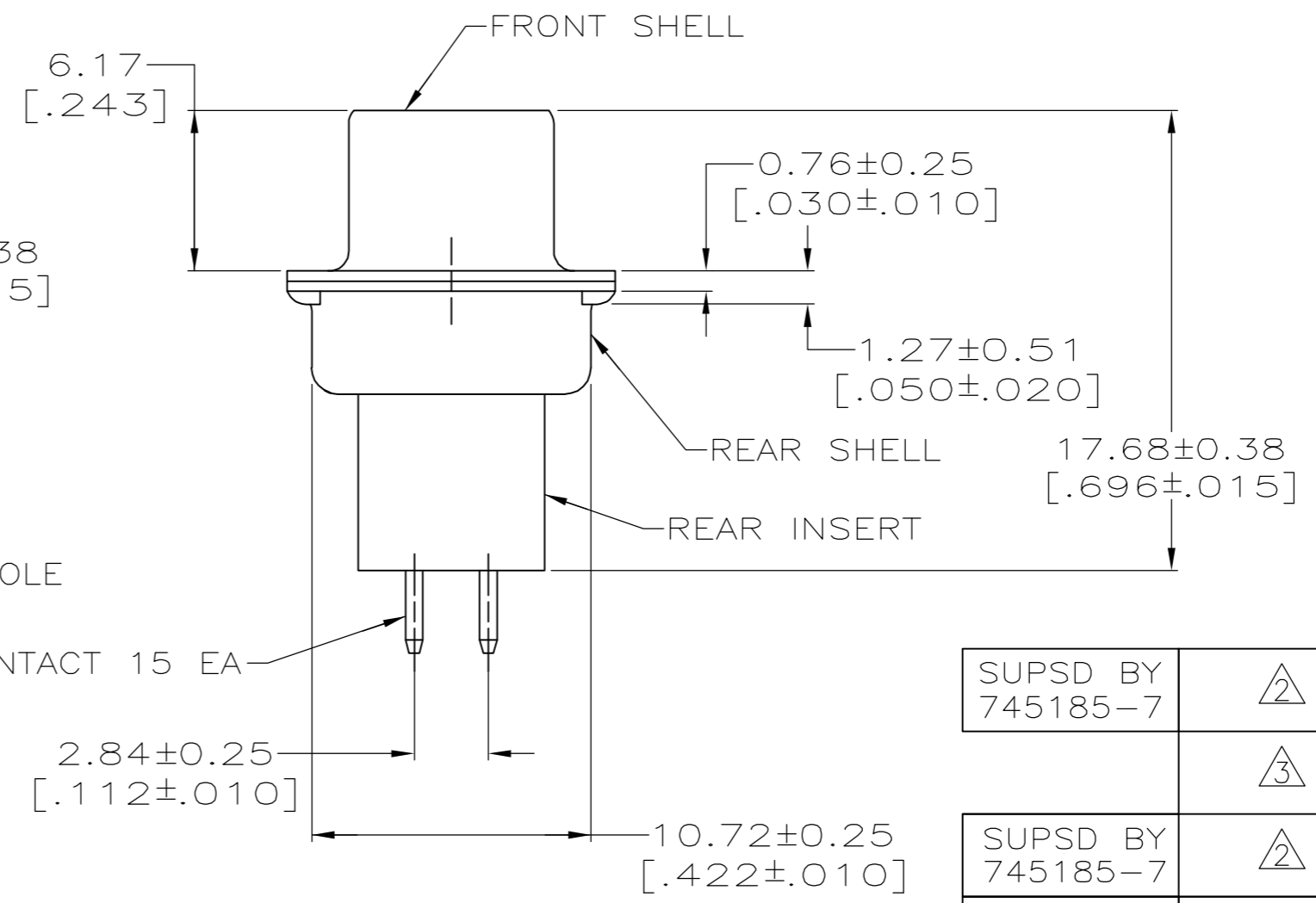
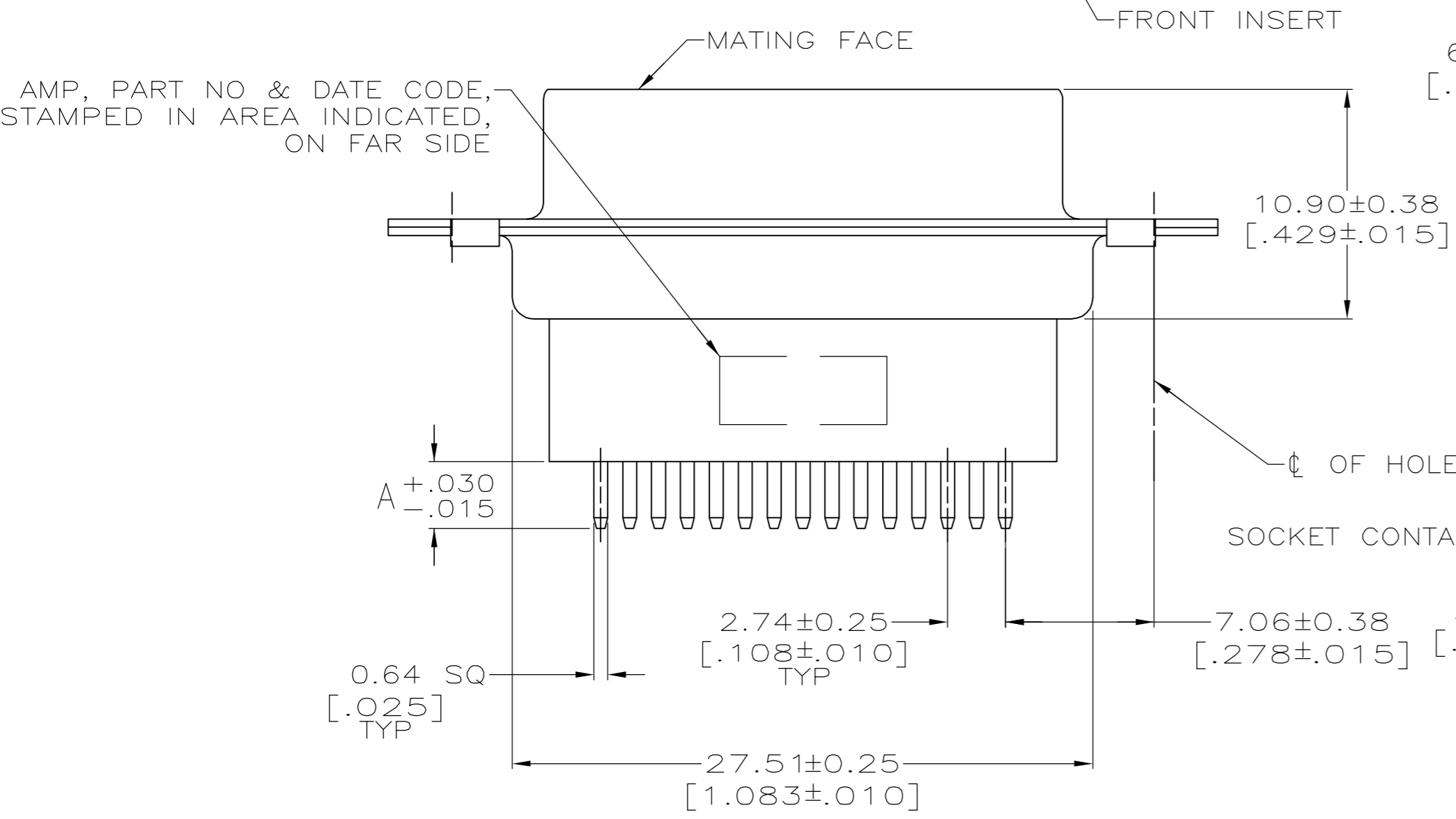
LOC		DIST		REVISIONS			
GP	00	P	LTR	DESCRIPTION	DATE	DWN	APVD
		K		REVISED PER ECO-06-028338	11/DEC/06	ZMR	EDB



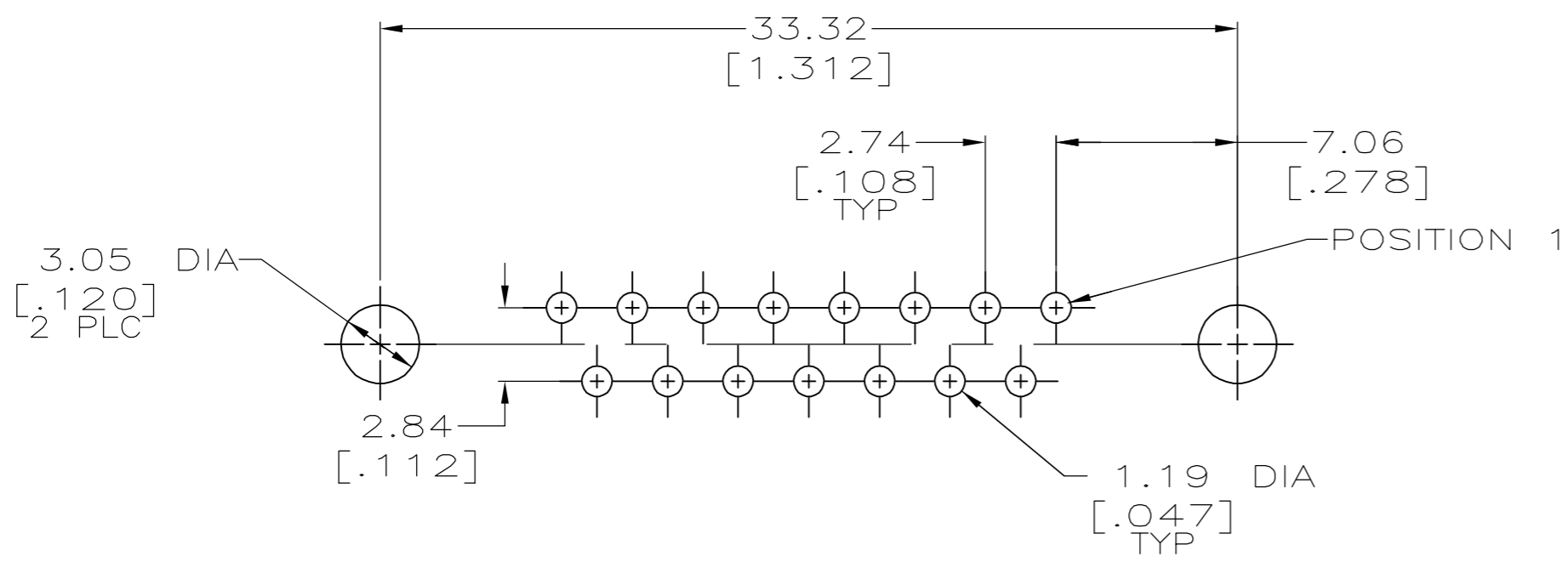
△ MOLDED PARTS: FLAME RETARDANT 94V-0 RATED THERMOPLASTIC; BLACK.
 SHELLS: CARBON STEEL.
 CONTACTS: PHOS BRONZE.

△ SHELLS: 5.08µm [.000200] MIN TIN OR TIN-LEAD OVER 2.54µm [.000100] MIN COPPER.
 CONTACTS: GOLD FLASH ON MATING END, 2.54µm [.000100] MIN TIN-LEAD ON SOLDER END, BOTH OVER 1.27µm [.000050] MIN NICKEL.

△ SHELLS: 5.08µm [.000200] MIN TIN OR TIN-LEAD OVER 2.54µm [.000100] MIN COPPER.
 CONTACTS: 0.76µm [.000030] MIN GOLD ON MATING END, 2.54µm [.000100] MIN TIN-LEAD ON SOLDER END, BOTH OVER 1.27µm [.000050] MIN NICKEL.
 -OR-
 GOLD FLASH OVER 0.76µm [.000030] MIN PALLADIUM NICKEL ON MATING END, 2.54µm [.000100] MIN TIN-LEAD ON SOLDER END, BOTH OVER 1.27µm [.000050] MIN NICKEL.



SUPSD BY 745185-7	△	4.78 [.188]	745185-8
	△	4.78 [.188]	745185-7
SUPSD BY 745185-7	△	16.54 [.651]	745185-6
OBSOLETE	△	16.54 [.651]	745185-5
OBSOLETE	-	-	745185-4
SUPSD BY 745185-7	△	10.85 [.427]	745185-3
SUPSD BY 745185-1	△	3.18 [.125]	745185-2
	△	3.18 [.125]	745185-1
		GOLD FINISH	A
			PART NUMBER



P.C. BOARD MOUNTING DIMENSIONS

THIS DRAWING IS A CONTROLLED DOCUMENT.

DWN	C. REIFSNYDER	07 AUG 95	 Tyco Electronics Corporation Harrisburg, PA 17105-3608
CHK	R. STONE	23 AUG 95	
APVD	R. TAYLOR	23 AUG 95	
PRODUCT SPEC	108-40005		
APPLICATION SPEC			NAME
			RECEPTACLE ASSY, SIZE 2 15 POS, VERTICAL, TM
MATERIAL			SIZE
			A2
			CAGE CODE
			00779
			DRAWING NO
			C=745185
			RESTRICTED TO
			-
			SCALE
			4:1
			SHEET
			1 OF 1
			REV
			K

CUSTOMER DRAWING