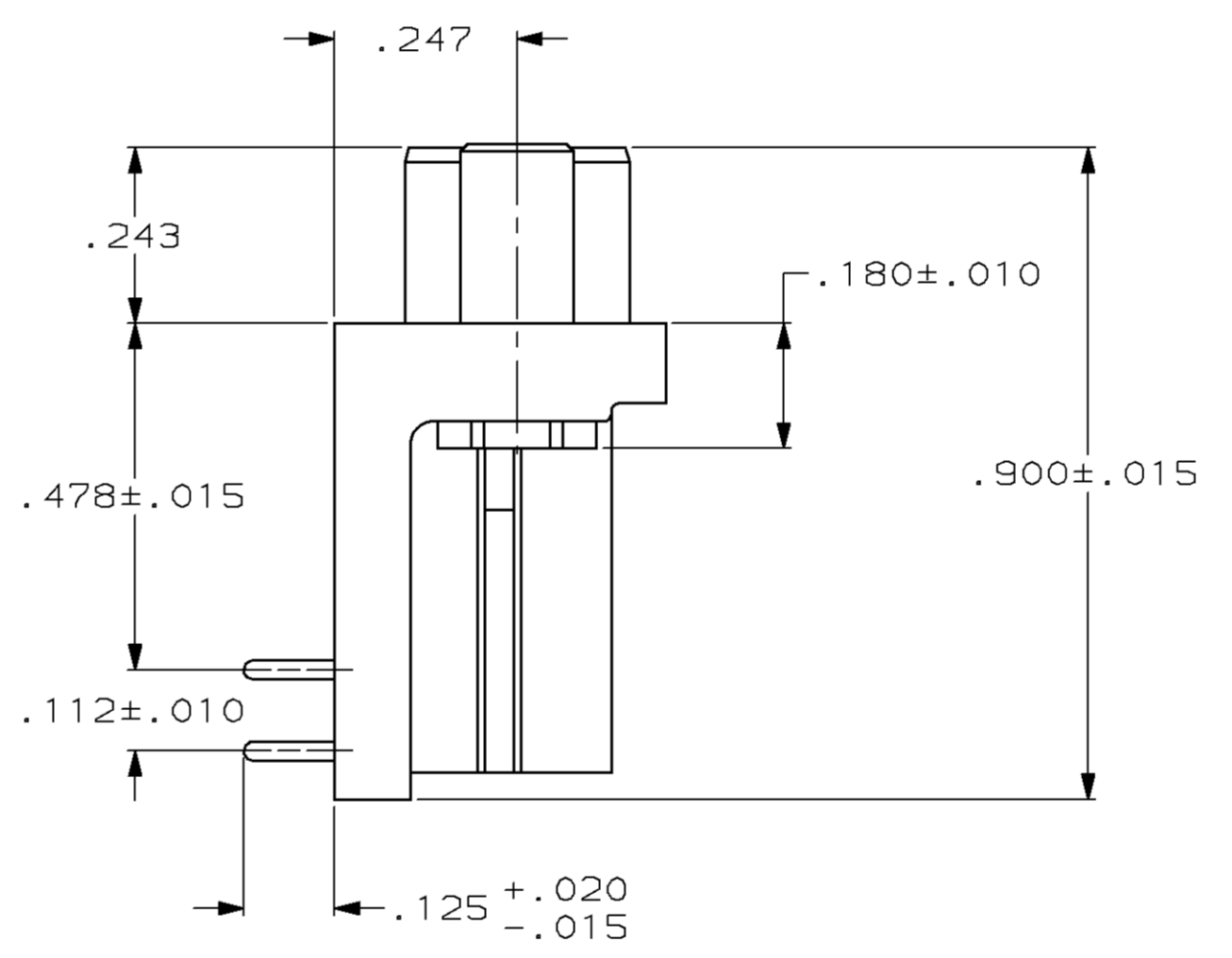
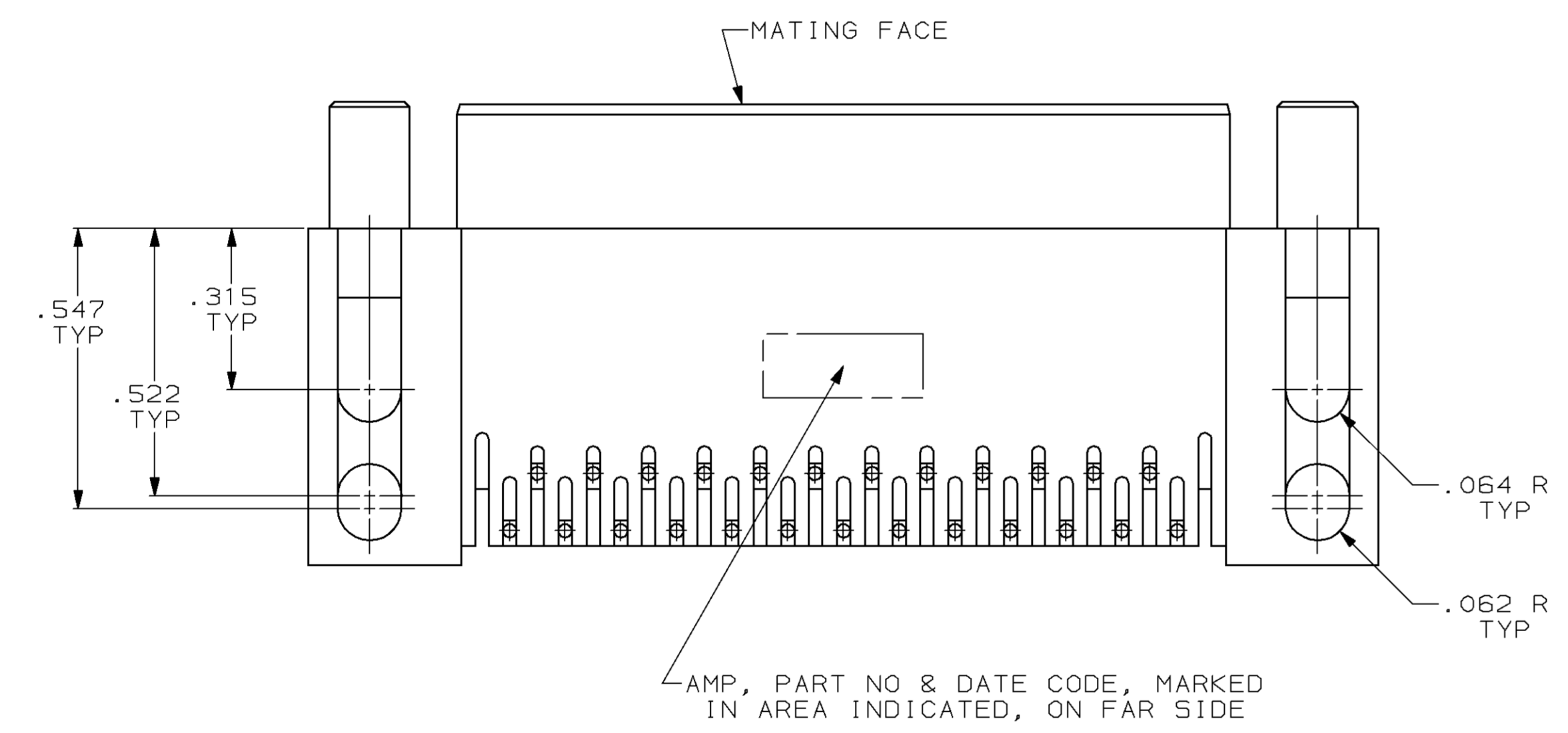
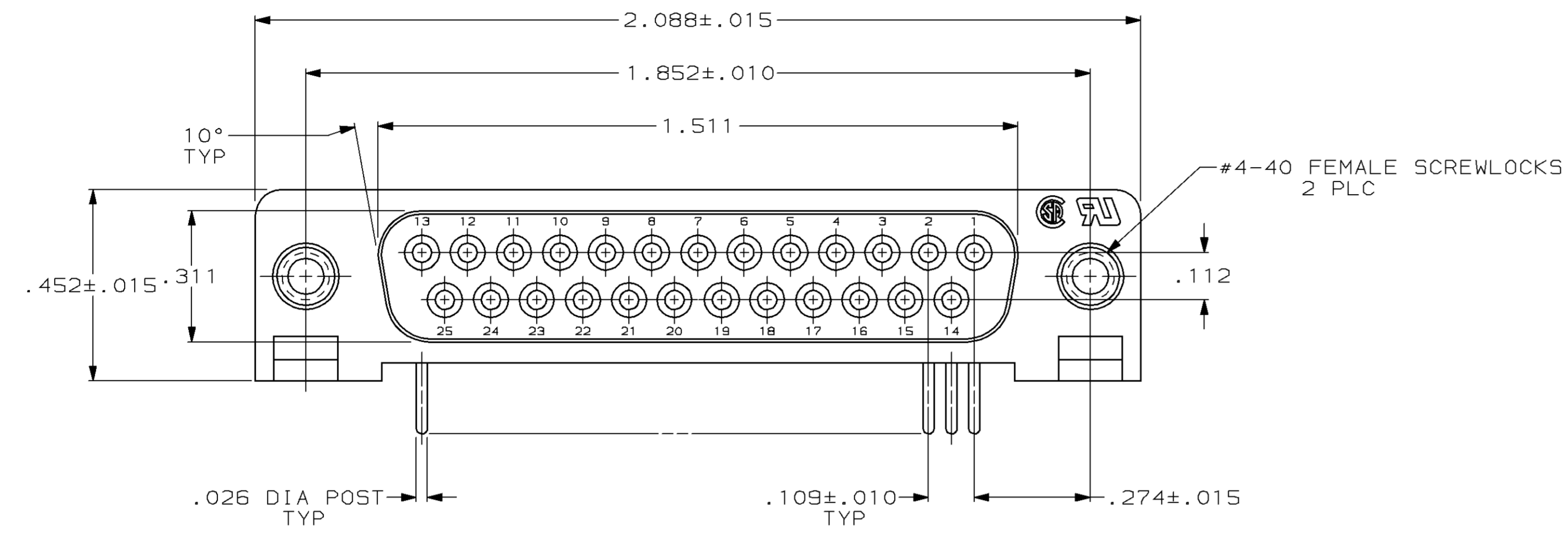
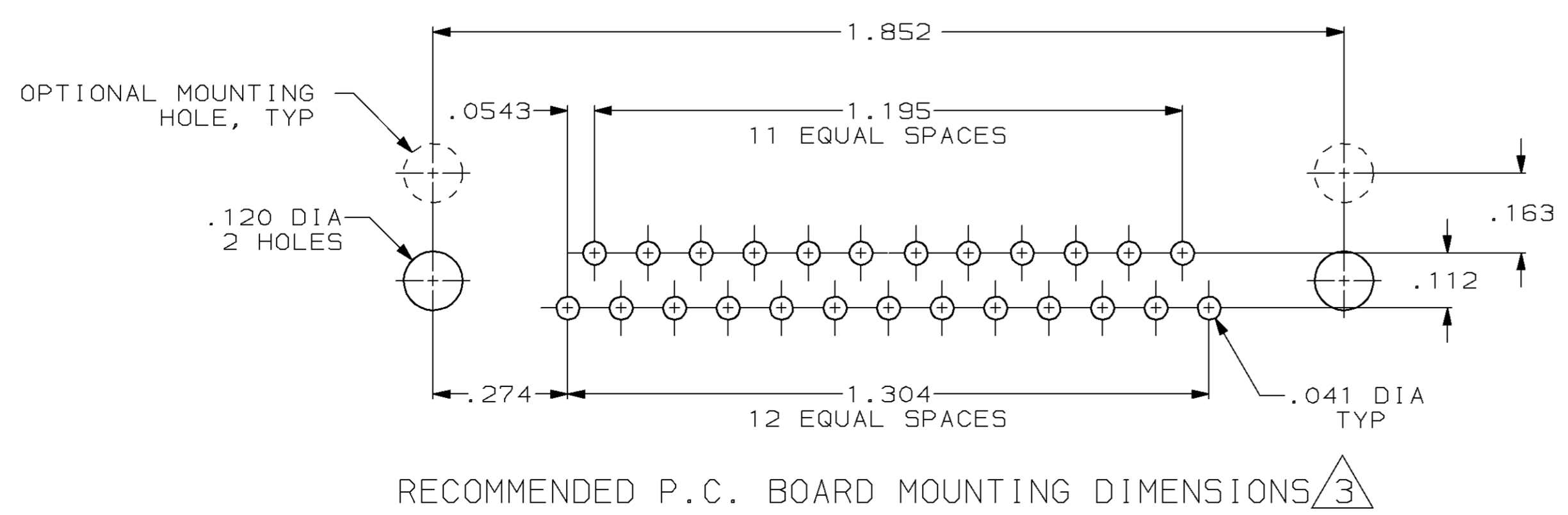


DRAWING MADE IN THIRD ANGLE PROJECTION
 THIS DRAWING IS UNPUBLISHED. RELEASED FOR PUBLICATION
 © COPYRIGHT 19 BY AMP INCORPORATED, HARRISBURG, PA. ALL INTERNATIONAL RIGHTS RESERVED. AMP PRODUCTS MAY BE COVERED BY U.S. AND FOREIGN PATENTS AND/OR PATENTS PENDING.

| LOC | | DIST | | REV | | ZONE | | LTR | | DESCRIPTION | | DATE | APPD |
|-----|----|------|---|-----|--|------|--|-----|--|-------------|-----------------------------|-----------|------|
| BD | 77 | P | F | | | | | | | D | REV PER EC 0020-983-95 | 15 DEC 95 | RT |
| | | | | | | | | | | E | REV PER EC 0020-1448-95 | 11 JAN 96 | RLT |
| | | | | | | | | | | F | SUPSD -1 PER EC 0020-570-96 | 28 FEB 97 | RT |



- 1 FLAME RETARDANT, 94V-0 RATED, GLASS FILLED NYLON OR POLYESTER, COLOR: BLACK.
- 2 PHOS. BRONZE PER QQ-B-750.
- 3 REFER TO APPLICATION SPEC FOR RECOMMENDED P.C. BOARD MOUNTING DIMENSIONS FOR AUTOMATIC INSERTION.
- 4 GOLD PLATING PER MIL-G-45204, TIN PLATING PER MIL-T-10727, NICKEL PLATING PER QQ-N-290.
- 5 PLATED WITH GOLD FLASH FOR LENGTH OF .055 MIN FROM MATING END, WITH POINT OF MEASUREMENT .035 FROM MATING END OF CONTACT, .000100-.000200 TIN OR TIN-LEAD ON SOLDER END, ALL OVER .000050 NICKEL ON ENTIRE CONTACT.
- 6 PLATED WITH .000030 GOLD FOR LENGTH OF .055 MIN FROM MATING END, WITH POINT OF MEASUREMENT .035 FROM MATING END OF CONTACT, .000100-.000200 TIN OR TIN-LEAD ON SOLDER END, ALL OVER .000050 NICKEL ON ENTIRE CONTACT.



| | | | |
|--|--|----------------------------|--|
| UNLESS OTHERWISE SPECIFIED DIMENSIONS ARE IN INCHES TOLERANCES ON: | | DR 5-5-87 S.WELDON | AMP INCORPORATED Harrisburg, Pa. 17105 |
| 2 PL DEC ± .005 3 PL DEC ± .005 ANGLES ± 2° | | CHK 5-5-87 C.RICHARD | |
| MATERIAL | MOLDED PARTS: 1 CONTACTS: 2 SCREWLOCKS: ZINC | APPD 5-5-87 B.TAYLOR | NAME RECEPTACLE ASSY, SIZE 3, 25 POSN, RIGHT ANGLE, .478 SERIES, .026 DIA POSTS, W/ FEMALE SCREWLOCKS, AMPLIMITE® HD-20 |
| FINISH 6 | CONTACTS: SEE TABLE SCREWLOCKS: CLEAR CHROMATE | PRODUCT SPEC 108-40005 | SIZE D |
| | | APPLICATION SPEC 114-40015 | FSCM NO 00779 |
| | | WEIGHT - | DRAWING NO 745398 |
| | | SCALE 4:1 | SHEET 1 of 1 |