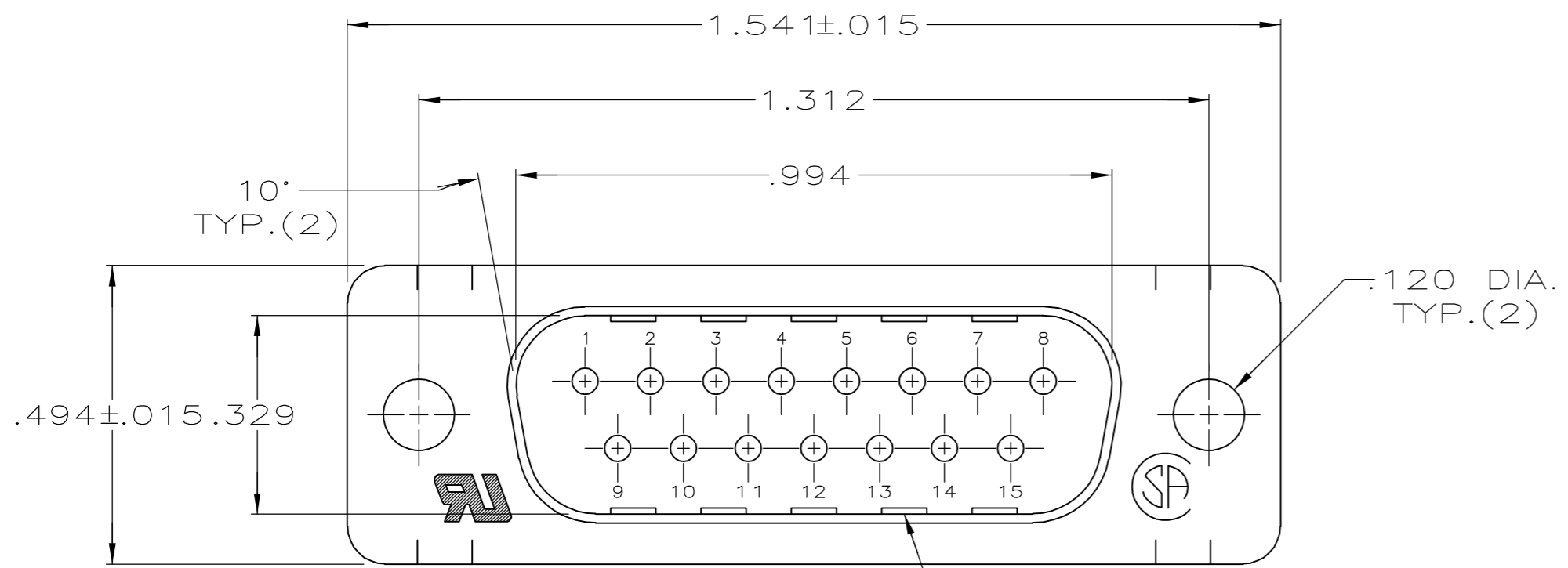
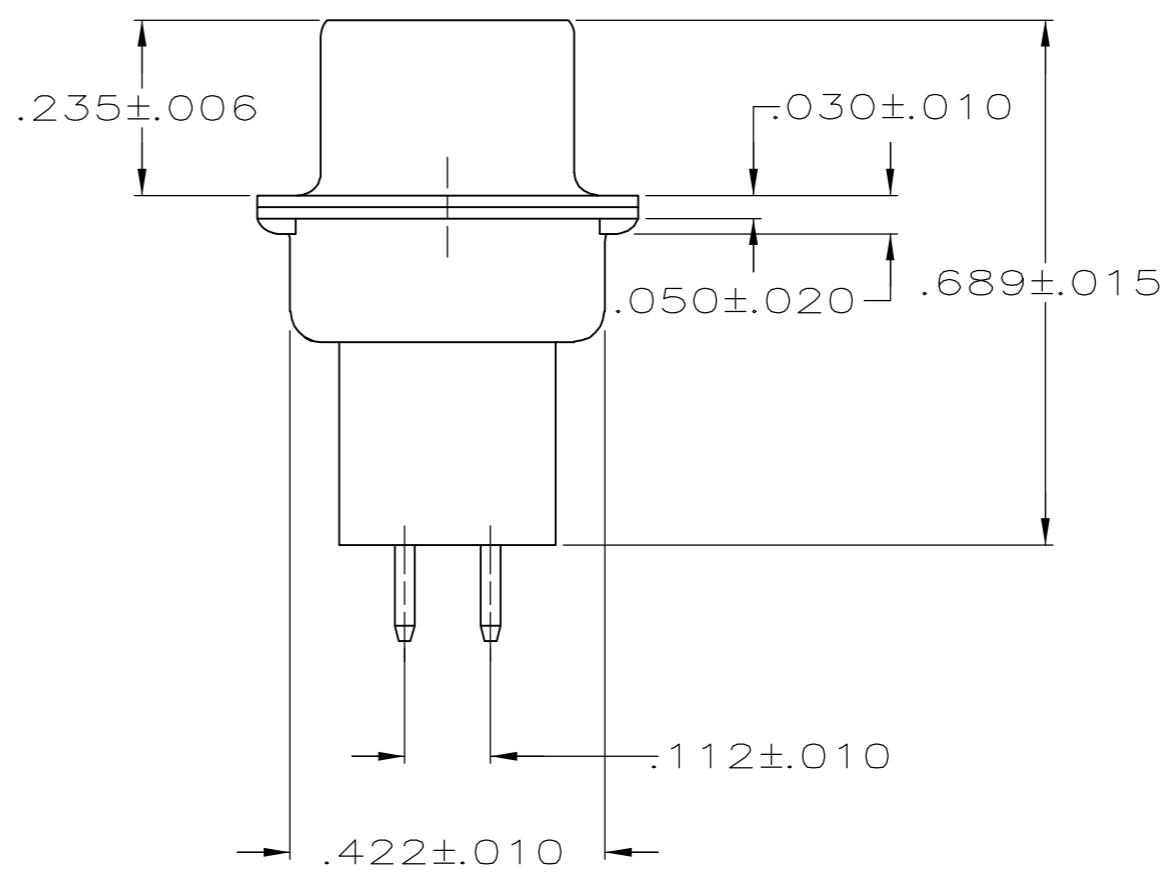
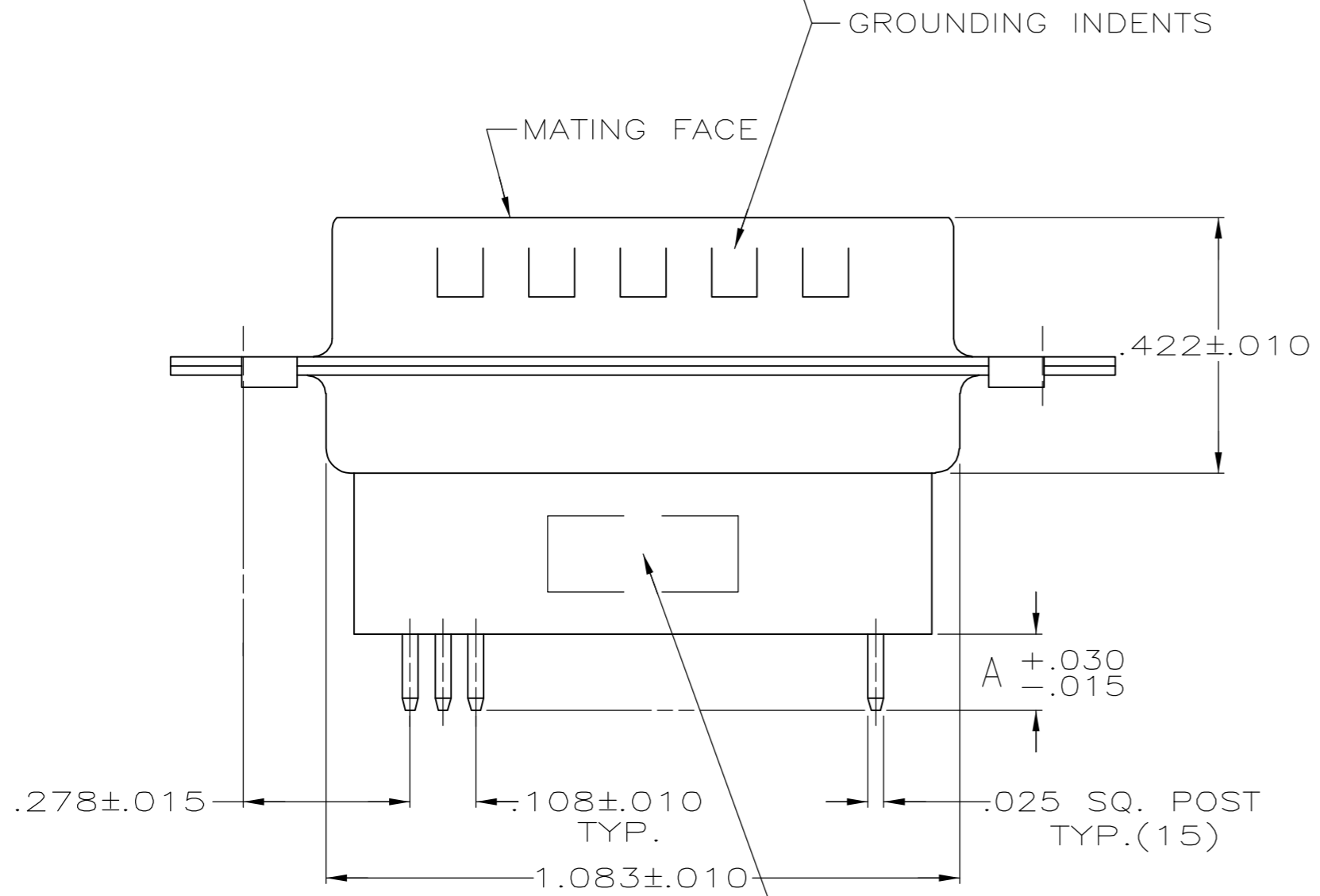


THIS DRAWING IS UNPUBLISHED. RELEASED FOR PUBLICATION
 © COPYRIGHT BY TYCO ELECTRONICS CORPORATION. ALL RIGHTS RESERVED.

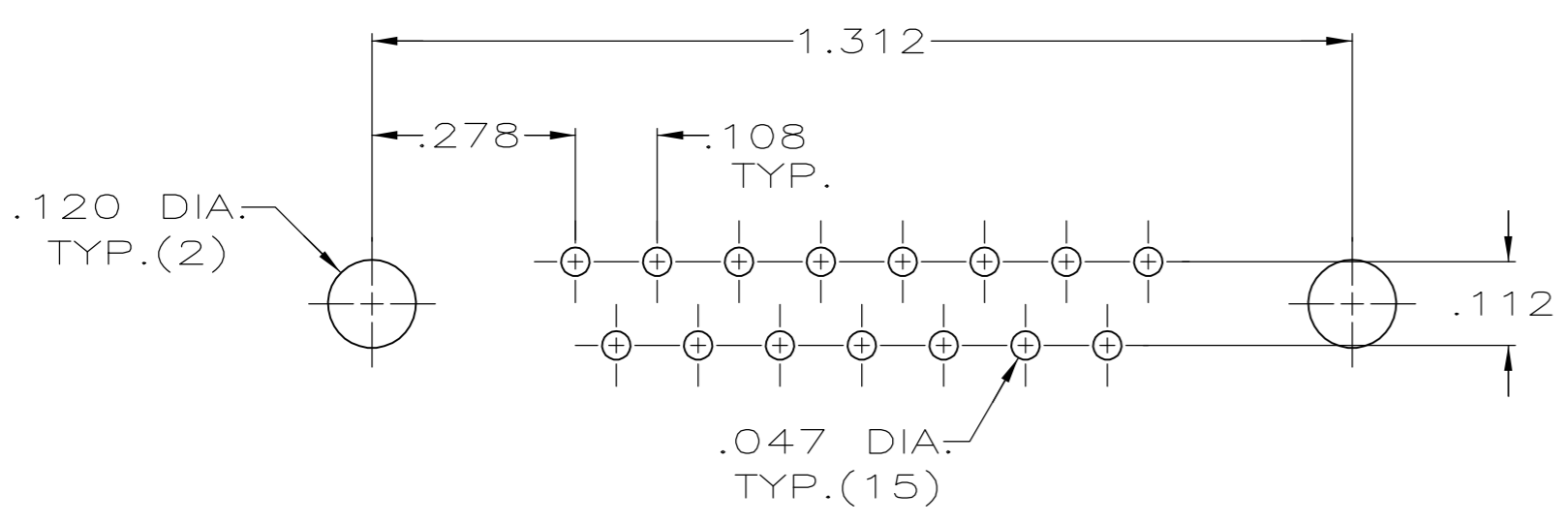
LOC	DIST	REVISIONS					
GP	00	P	LTR	DESCRIPTION	DATE	DWN	APVD
		H		REVISED PER ECO-06-028338	11/DEC/06	ZMR	EDB



1. CONNECTOR MATES WITH ANY 15 POS. RECEPTACLE IN AMPLIMITE SERIES & COMPLIES WITH AMP SPEC. 108-40,005 WHERE APPLICABLE.
2. MOLDED PARTS: FLAME RETARDANT 94V-0 RATED THERMOPLASTIC; COLOR, BLACK
CONTACT: BRASS
SHELLS: STEEL
3. GOLD FLASH FOR A LENGTH OF .150 MIN FROM MATING END .000100 MIN TIN-LEAD ON OPPOSITE END, ALL OVER .000050 MIN NICKEL.
4. GOLD PLATED FOR A LENGTH OF .150 FROM MATING END, .000030 MIN GOLD IN MATED AREA, .000100 MIN TIN-LEAD ON OPPOSITE END, ALL OVER .000050 MIN NICKEL.
-OR-
GOLD FLASH OVER PALLADIUM NICKEL PLATED FOR LENGTH OF .150 MIN FROM MATING END, .000030 MIN PALLADIUM NICKEL IN MATED AREA, .000100 MIN TIN-LEAD ON OPPOSITE END, ALL OVER .000050 MIN NICKEL.
5. .000200 MIN TIN OR TIN-LEAD OVER .000100 MIN COPPER.



"AMP", PART NO. & DATE CODE, STAMPED IN AREA INDICATED, ON FAR SIDE



P.C. BOARD MOUNTING DIMENSIONS

SUPSD BY 745411-1	3	.188	745411-8
SUPSD BY 745411-1	4	.188	745411-7
OBSOLETE	3	.651	745411-6
OBSOLETE	4	.651	745411-5
OBSOLETE	3	.427	745411-4
OBSOLETE	4	.427	745411-3
SUPSD BY 745411-1	3	.125	745411-2
	4	.125	745411-1
CONTACT FINISH	DIMENSION A	PART NUMBER	

THIS DRAWING IS A CONTROLLED DOCUMENT.		DWN	J. GERACE	10-25-83	tyco Electronics	Tyco Electronics Corporation Harrisburg, PA 17105-3608		
DIMENSIONS: INCHES		CHK	J. GERACE	10-25-83		NAME		
TOLERANCES UNLESS OTHERWISE SPECIFIED:		APVD	B. TAYLOR	1-4-84	PRODUCT SPEC			
0 PLC ± -		APPLICATION SPEC		PLUG ASSEMBLY, SIZE 2, 15 POS, VERTICAL, W/ GROUNDING INDENTS, AMPLIMITE				
1 PLC ± -		WEIGHT		SIZE		CAGE CODE	DRAWING NO	RESTRICTED TO
2 PLC ± .005		CUSTOMER DRAWING		A2		00779	C=745411	-
3 PLC ± -		SCALE		4:1		SHEET		1 of 1
4 PLC ± -		SHELLS: 5		SCALE		SHEET		1 of 1
ANGLES ± 2°		CONTACTS: SEE TABLE		SCALE		SHEET		1 of 1
FINISH		CONTACTS: SEE TABLE		SCALE		SHEET		1 of 1