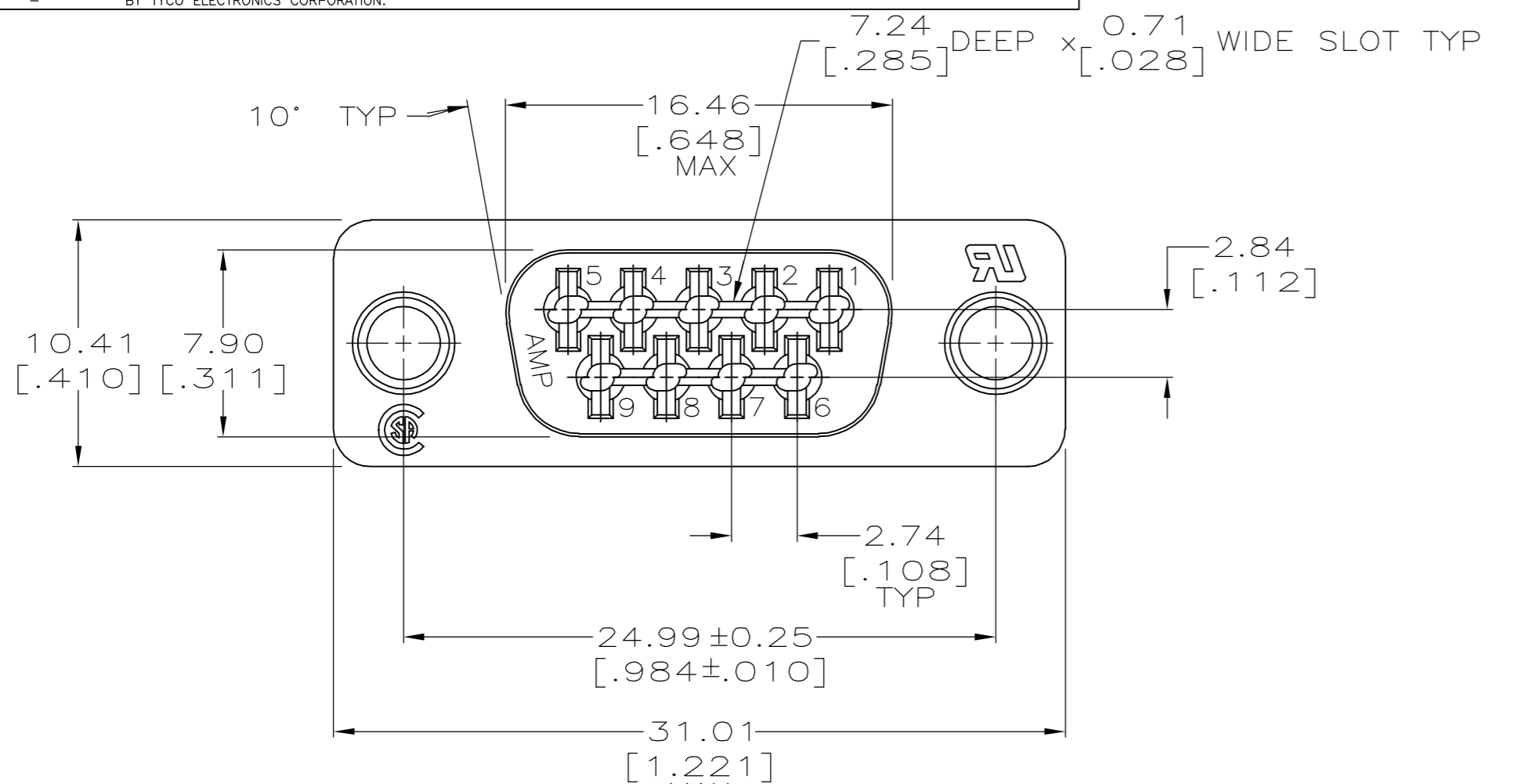
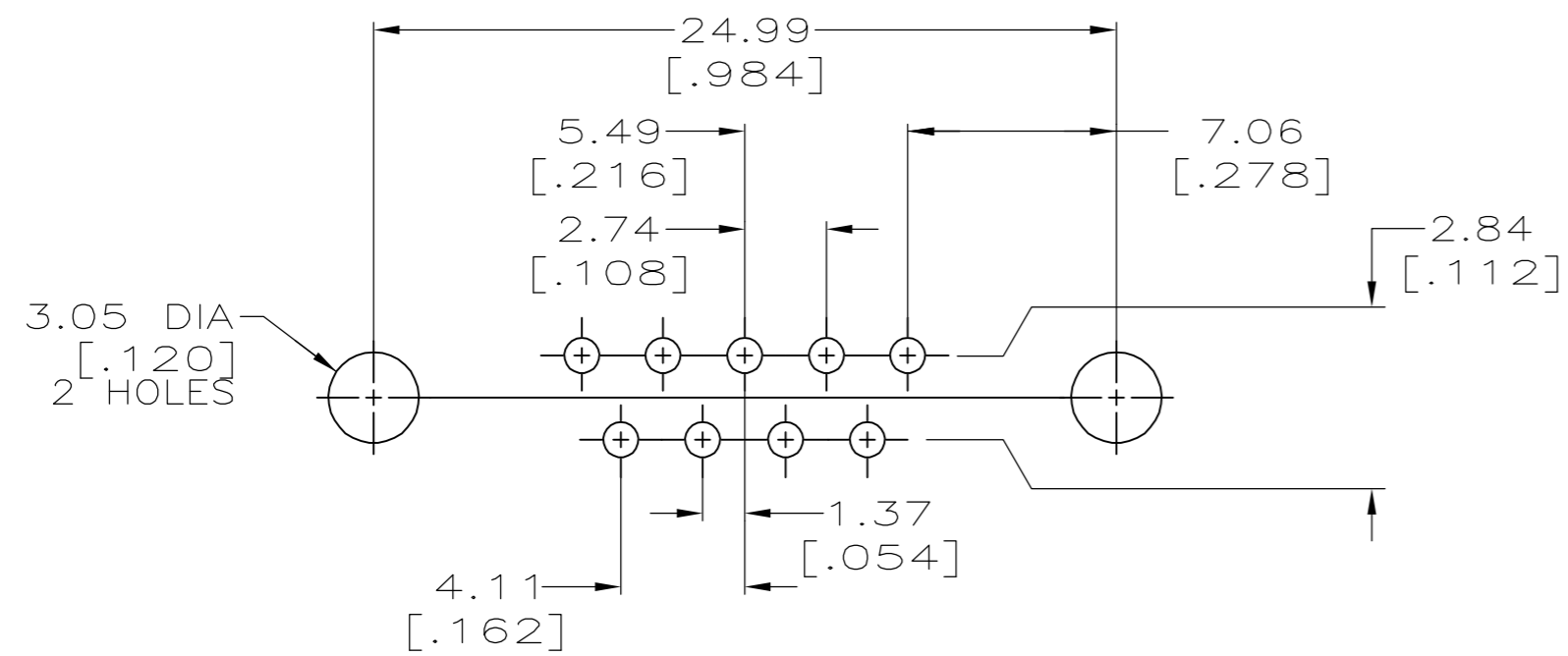
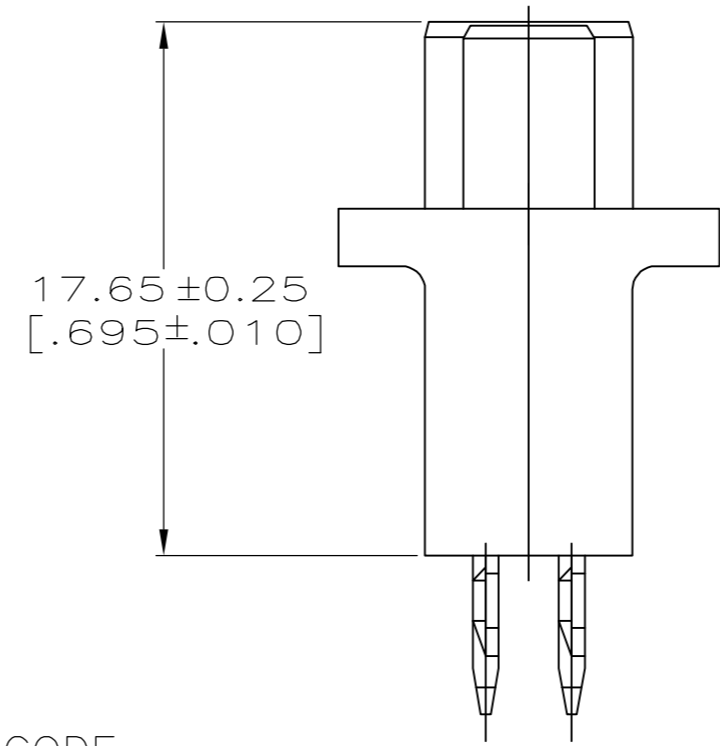
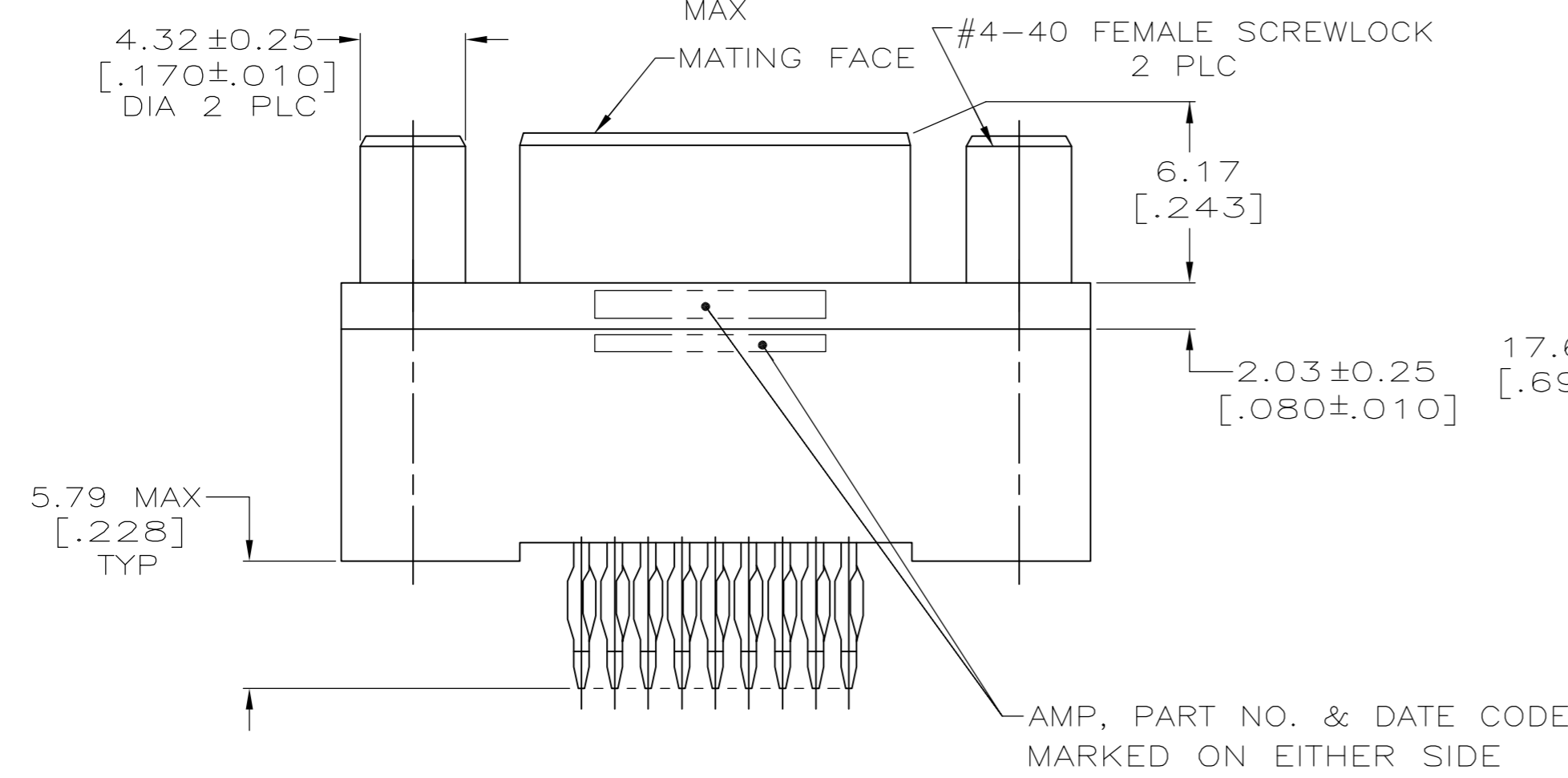


THIS DRAWING IS UNPUBLISHED. RELEASED FOR PUBLICATION
 © COPYRIGHT BY TYCO ELECTRONICS CORPORATION. ALL RIGHTS RESERVED.

LOC	DIST	REVISIONS					
GP	00	P	LTR	DESCRIPTION	DATE	DWN	APVD
		E		REVISED PER ECN 0513-0270-05	25JUL06	JDP	SLB



- △ P.C. BOARD RECOMMENDATIONS:
- A. HOLES SHOULD BE DRILLED WITH A 1.15 mm DRILL.
 - B. MINIMUM P.C.B. TIN/LEAD PLATING TO BE 7.62µm [.000300] THK OVER 0.05±0.03 [.002±.001] THK COPPER.
 - C. RECOMMENDED HOLE SIZE AFTER TIN/LEAD PLATING IS 0.94 [.037] TO 1.09 [.043] FOR P.C.B. 2.36 [.093] TO 3.18 [.125] THK. IF HOLE IS REFLOWED AFTER PLATING, DIA. TO BE 0.91 [.036] TO 1.09 [.043].
 - △ GOLD PLATING PER MIL-G-45204, NICKEL PLATING PER QQ-N-290.
 - △ DUPLEX PLATED: GOLD FLASH ON MATING SURFACE, BRIGHT TIN OR BRIGHT TIN LEAD ON COMPLIANT PIN, ALL OVER NICKEL.
 - △ DUPLEX PLATED: 0.76µm [.000030] GOLD ON MATING SURFACE, BRIGHT TIN OR BRIGHT IN LEAD ON COMPLIANT PIN, ALL OVER NICKEL.
 - 5. SCREWLOCKS WILL WITHSTAND 4 INCH-LBS TORQUE AND 20 LBS PULL OUT FORCE FROM MATING FACE SIDE.
 - △ HOUSING: FLAME RETARDANT 94V-0 RATED THERMOPLASTIC, COLOR: BLACK
 - △ NICKEL PLATED



RECOMMENDED PC BOARD MOUNTING DIMENSIONS △
 CONNECTOR SIDE OF BOARD

SUPERSEDED BY 745455-2	△ 7	△ 4	745455-2
	△ 7	△ 3	745455-1
	SCREWLOCKS FINISH	CONTACT FINISH	PART NUMBER

THIS DRAWING IS A CONTROLLED DOCUMENT.		DWN K.FOLTZ 05/05/94	tyco Tyco Electronics Corporation	
DIMENSIONS: mm [INCHES]		CHK R.STONE 5-17-94	Harrisburg, PA 17105-3608	
TOLERANCES UNLESS OTHERWISE SPECIFIED:		APVD -	NAME	
0 PLC ± -	1 PLC ± -	PRODUCT SPEC -	RCPT ASSY, SIZE 1, 9 POSN, W/ACTION PIN CONTACTS & FEMALE SCREWLOCKS, AMPLIMITE HD-20	
2 PLC ± 0.13 [.005]	3 PLC ± -	APPLICATION SPEC -	SIZE A2	CAGE CODE 00779
4 PLC ± -	ANGLES ± -	WEIGHT -	DRAWING NO C=745455	RESTRICTED TO -
MATERIAL △ 6	FINISH △ 2	CUSTOMER DRAWING	SCALE 4:1	SHEET 1 of 1
			REV E	