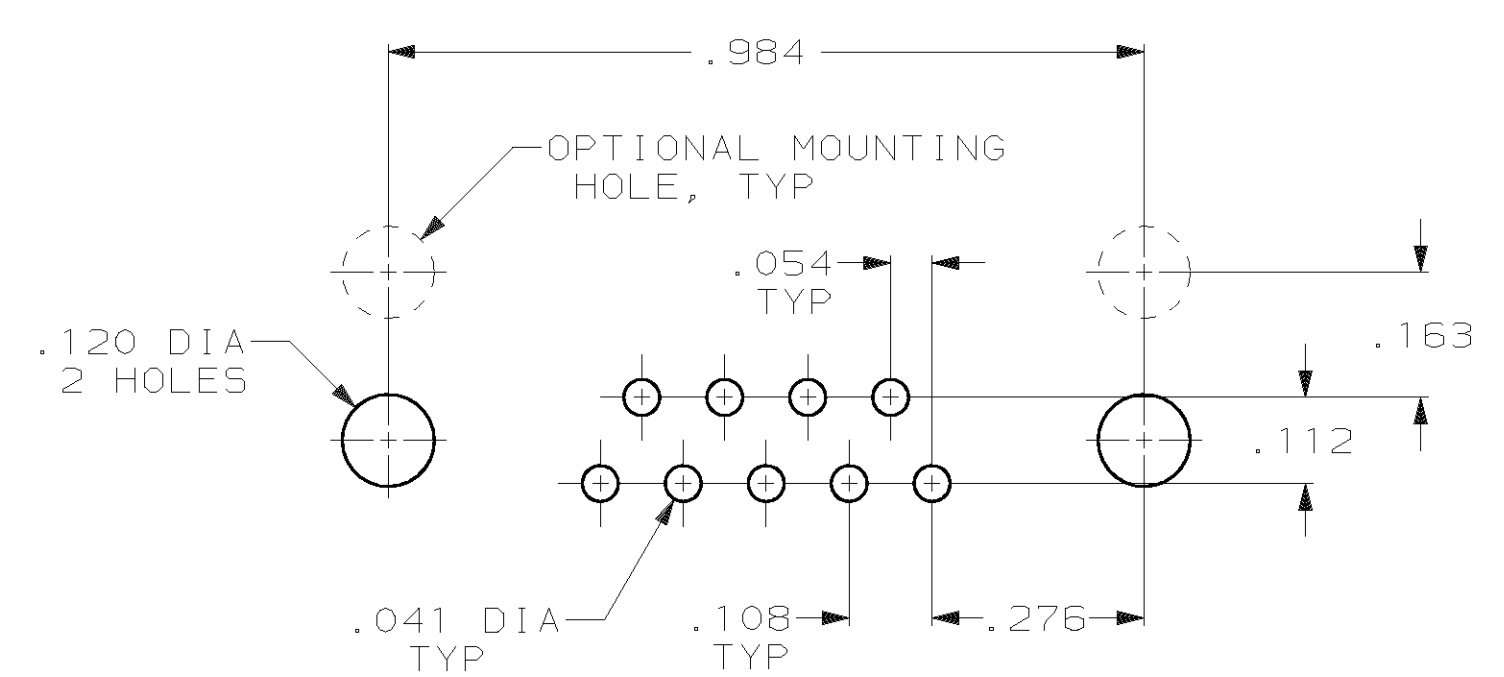
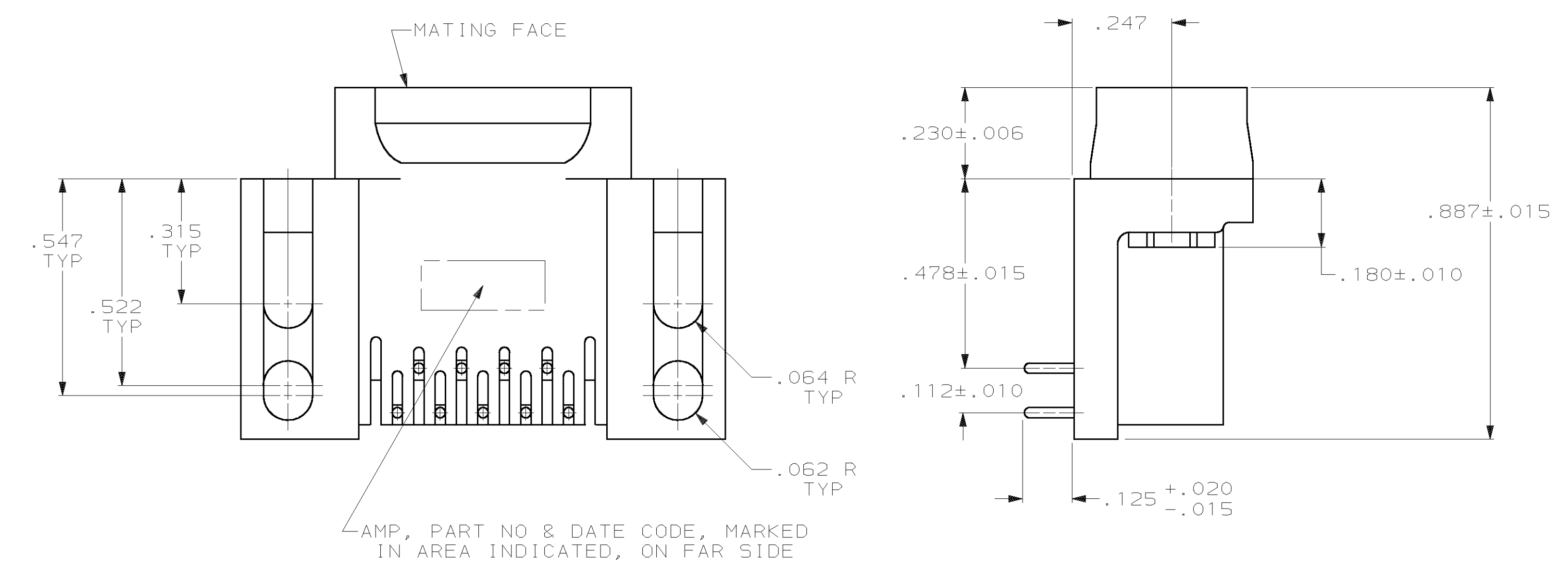
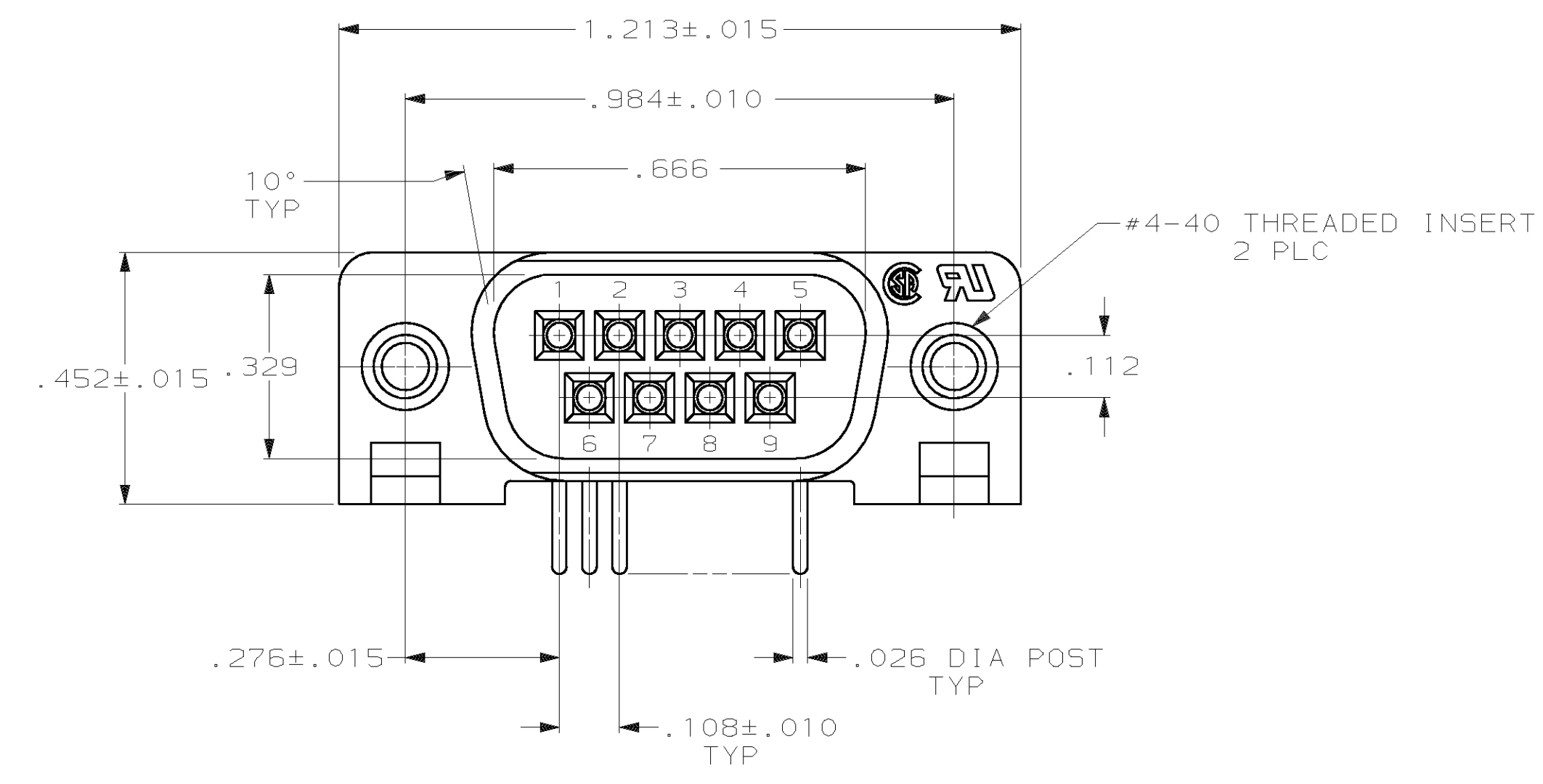


| LOC | | DIST | | REV | | ZONE | | LTR | | DESCRIPTION | | DATE | APPD |
|-----|--|------|--|-----|--|------|--|-----|--|-------------|--|------|------|
| | | | | | | | | | | | | | |
| | | | | | | | | | | | | | |
| | | | | | | | | | | | | | |



P.C. BOARD MOUNTING DIMENSIONS \triangle

- \triangle 1 FLAME RETARDANT, 94V-0 RATED, GLASS FILLED NYLON OR POLYESTER, COLOR: BLACK.
- \triangle 2 BRASS PER MIL-C-50.
- \triangle 3 REFER TO APPLICATION SPEC FOR RECOMMENDED P.C. BOARD MOUNTING DIMENSIONS FOR AUTOMATIC INSERTION.
- \triangle 4 GOLD PLATING PER MIL-G-45204, TIN PLATING PER MIL-T-10727, NICKEL PLATING PER QQ-N-290.
- \triangle 5 PLATED WITH GOLD FLASH FOR LENGTH OF .150 MIN FROM MATING END, WITH POINT OF MEASUREMENT .075 FROM MATING END OF CONTACT, .000100-.000200 TIN OR TIN-LEAD ON SOLDER END, ALL OVER .000050 NICKEL ON ENTIRE CONTACT.
- \triangle 6 GOLD PLATED FOR LENGTH OF .150 MIN FROM MATING END, .000030 MIN GOLD IN MATED AREA, WITH POINT OF MEASUREMENT .075 FROM MATING END OF CONTACT, .000100-.000200 TIN OR TIN-LEAD ON SOLDER END, ALL OVER .000050 NICKEL ON ENTIRE CONTACT.

| | | |
|-------------------|---------------|-------------|
| SUPSD BY 745877-2 | \triangle 6 | 745877 -2 |
| | \triangle 5 | 745877 -1 |
| | FINISH | PART NUMBER |

| | | | |
|---|-----------------------------|----------------------------|--|
| UNLESS OTHERWISE SPECIFIED DIMENSIONS ARE IN INCHES TOLERANCES ON : | | DR 5-5-87 S.WELDON | AMP INCORPORATED Harrisburg, Pa. 17105 |
| 2 PL DEC ± .005 | | CHK 5-5-87 C.RICHARD | |
| 3 PL DEC ± .005 | | APPD 5-5-87 B.TAYLOR | |
| MATERIAL | MOLDED PARTS: \triangle 1 | APPD 5-5-87 J.ASSINI | NAME |
| CONTACTS: \triangle 2 | INSERTS: ZINC | PRODUCT SPEC 108-40005 | PLUG ASSY, SIZE 1, 9 POSN, RIGHT ANGLE, .478 SERIES, .026 DIA POSTS, W/ THREADED INSERTS, AMPLIMITE® HD-20 |
| FINISH \triangle 4 | CONTACTS: SEE TABLE | APPLICATION SPEC 114-40015 | SIZE |
| INSERTS: CLEAR CHROMATE | | WEIGHT - | D 00779 |
| | | | FSCM NO 745877 |
| | | | DRAWING NO |
| | | | SCALE 4:1 |
| | | | SHEET 1 of 1 |