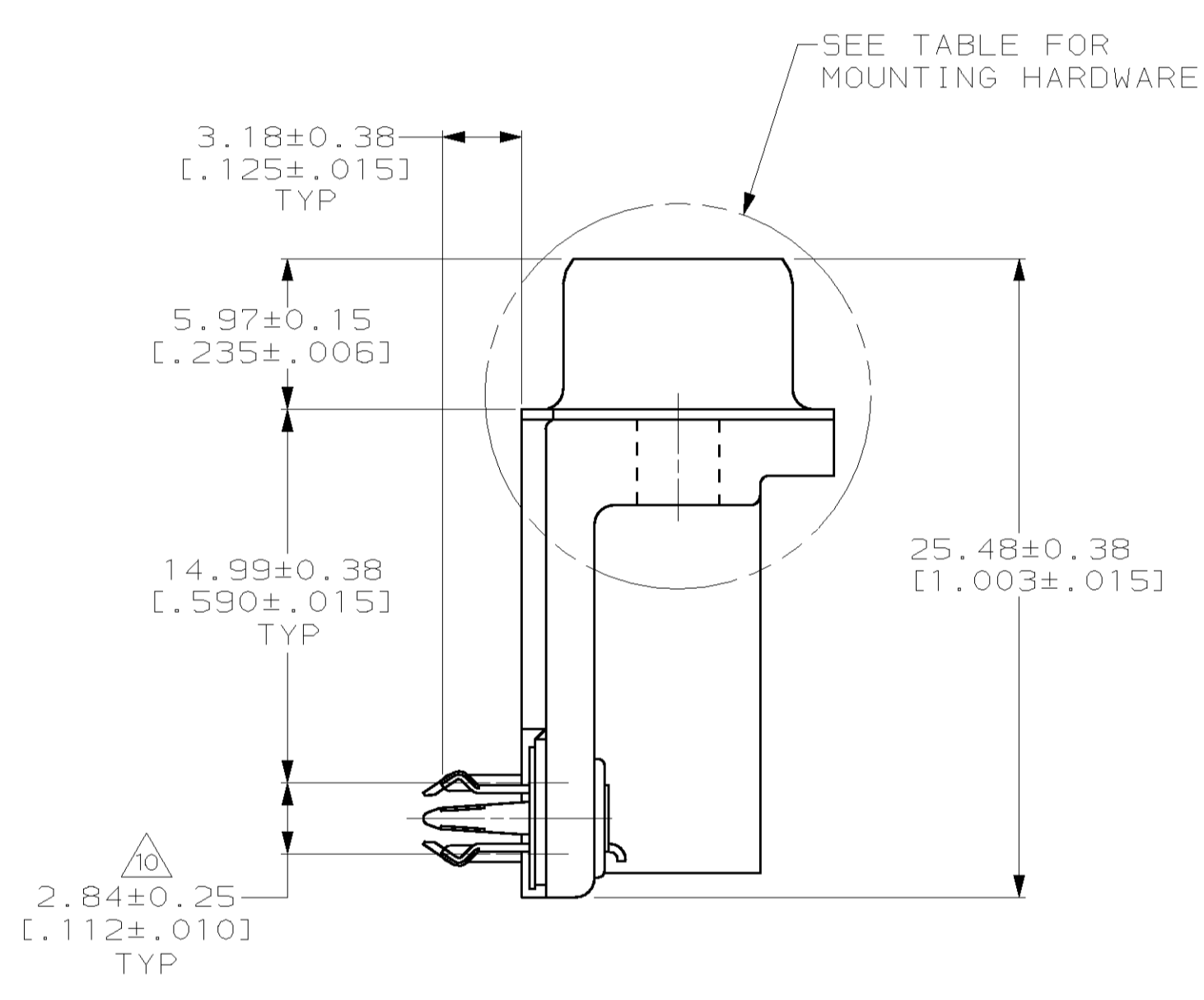
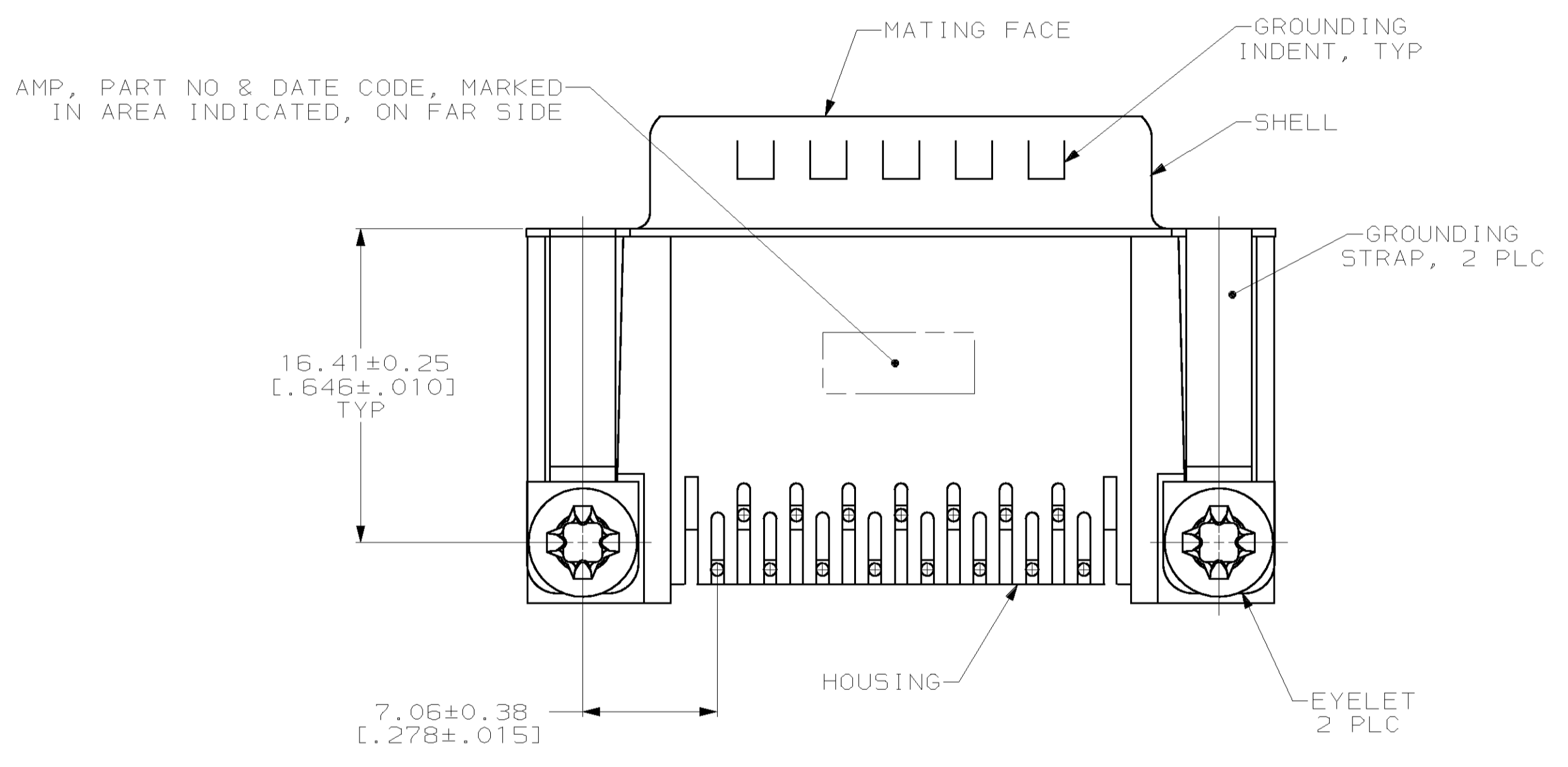
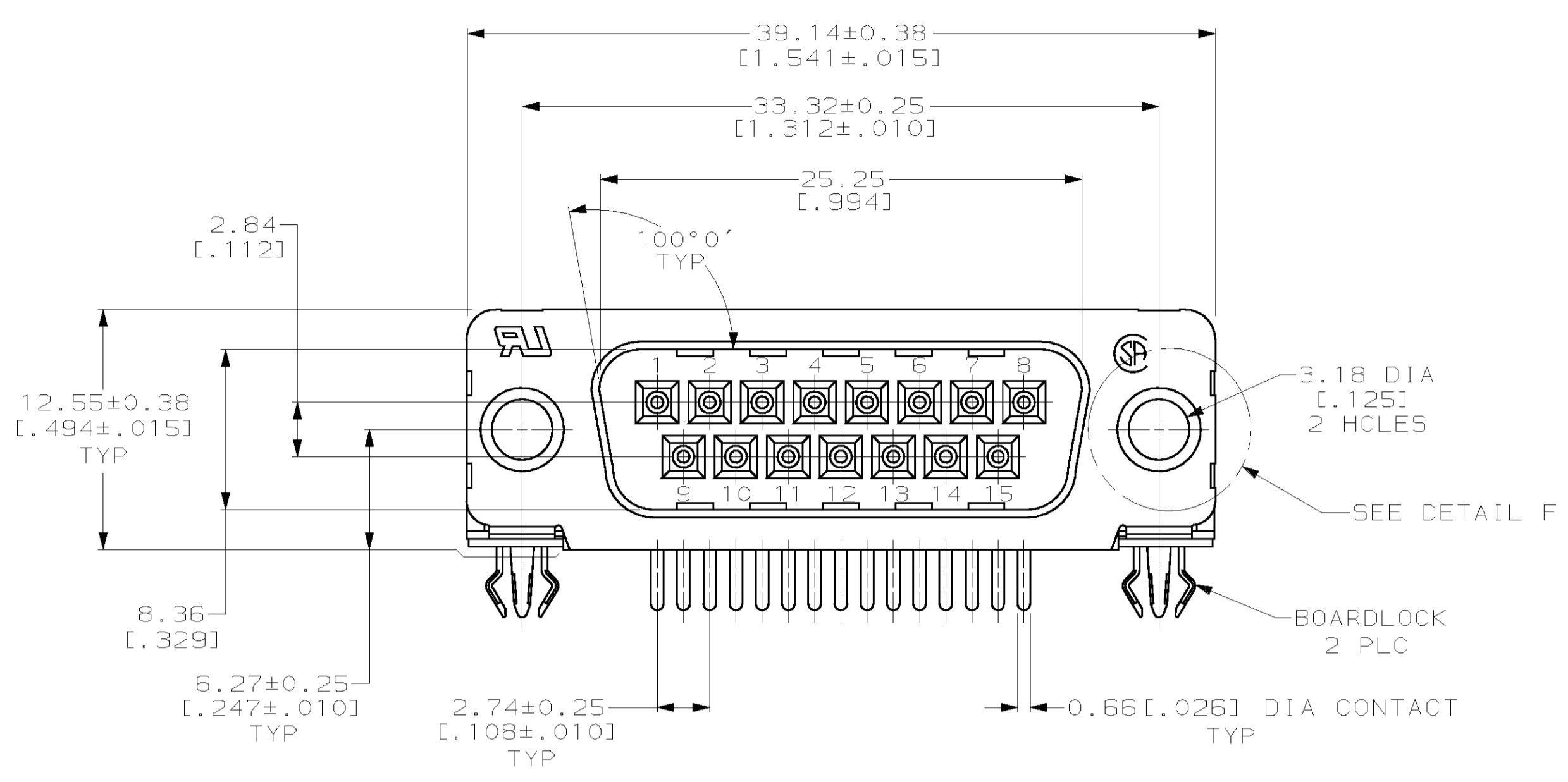
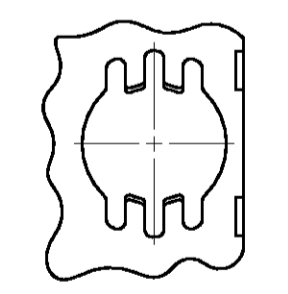
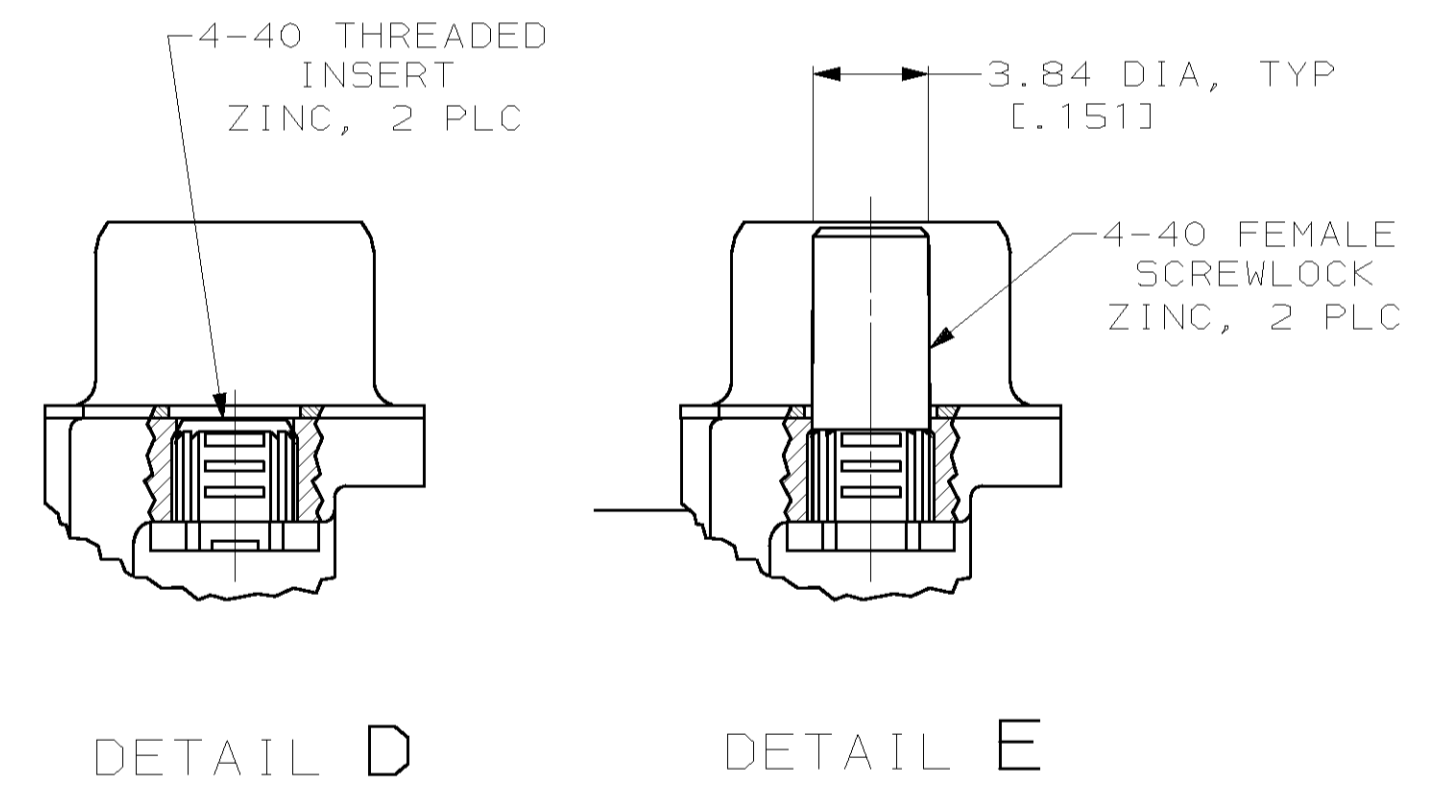


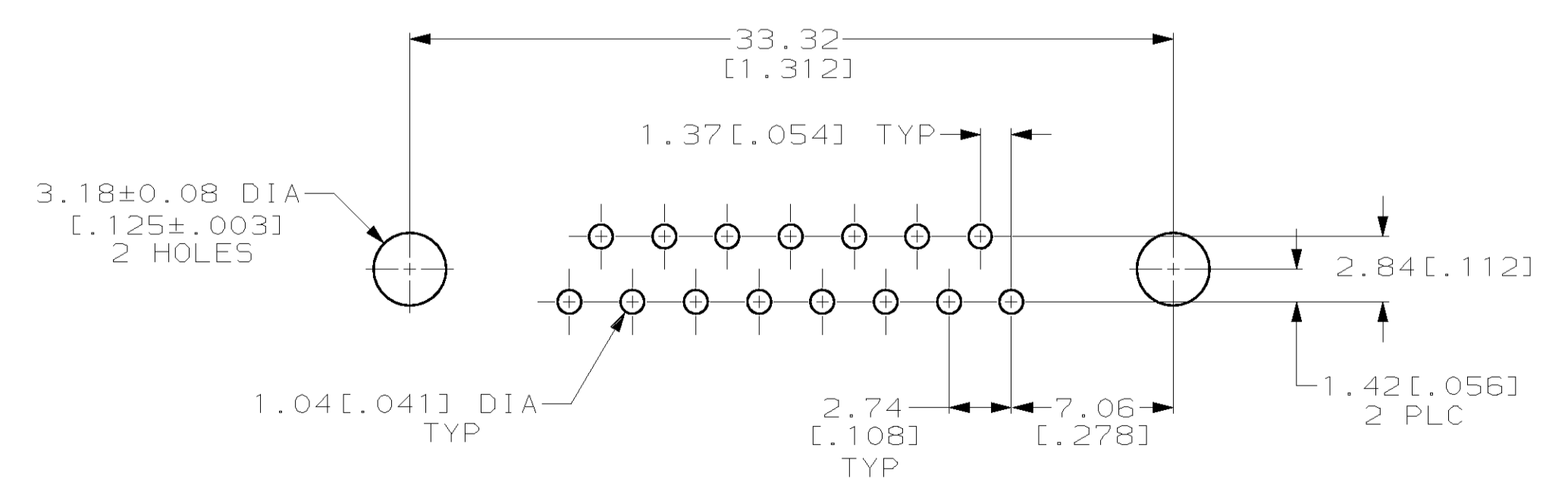
LOC	DIST	REV	DESCRIPTION	DATE	OWN	APVD
BD	77	T	REVISED PER EC 0640-0283-99	22DEC99	DD	KB



- 1 NYLON OR POLYESTER, FLAME RETARDANT, UL 94V-0 RATED, GLASS FILLED, BLACK.
- 2 BRASS PER MIL-C-50.
- 3 CARBON STEEL PER ASTM A109.
- 4 EYELETS: BRASS; BOARDLOCKS: COPPER ALLOY.
- 5 GOLD PLATING PER MIL-G-45204; NICKEL PLATING PER QQ-N-290; TIN PLATING PER MIL-T-10727; COPPER PLATING PER MIL-C-14550.
- 6 2.54µm [0.000100] MIN TIN OVER 1.27µm [0.000050] MIN COPPER.
- 7 EYELETS: 5.08µm [0.000200] MIN TIN OVER COPPER FLASH. BOARDLOCKS: 5.08µm [0.000200] MIN TIN-LEAD OVER 1.27µm [0.000050] MIN NICKEL.
- 8 GOLD FLASH FOR A LENGTH OF 3.81 [0.150] MIN FROM MATING END, 2.54µm [0.000100] MIN TIN OR TIN-LEAD FOR A LENGTH OF 3.56 [0.140] MIN FROM OPPOSITE END, BOTH OVER 1.27µm [0.000050] MIN NICKEL.
- 9 GOLD PLATED FOR A LENGTH OF 3.81 [0.150] MIN FROM MATING END, 0.76µm [0.000030] MIN GOLD IN MATED AREA, 2.54µm [0.000100] MIN TIN OR TIN-LEAD FOR A LENGTH OF 3.56 [0.140] MIN FROM OPPOSITE END, BOTH OVER 1.27µm [0.000050] MIN NICKEL.
- 10 DIMENSION APPLIES FROM CENTER OF CONTACTS.



FOR -5 AND -6 ONLY
DETAIL F
2 PLC



P.C. BOARD MOUNTING DIMENSIONS
P.C. BOARD THICKNESS: 1.57 [0.062]

SUPSD BY	CONTACT FINISH	PART NUMBER
SUPSD BY 747828-4	SEE DETAIL E	747828-6
OBSOLETE	SEE DETAIL E	747828-5
OBSOLETE	SEE DETAIL D	747828-4
OBSOLETE	SEE DETAIL D	747828-3
OBSOLETE	-	747828-2
OBSOLETE	-	747828-1

THIS DRAWING IS A CONTROLLED DOCUMENT.

DIMENSIONS: mm [INCHES]	TOLERANCES UNLESS OTHERWISE SPECIFIED:	DATE: 16 OCT 99	AMP Incorporated
0 PLC ±	1 PLC ±	05 FEB 90	Harrisburg, PA 17105-3608
2 PLC ±	3 PLC ±0.13 [0.005]	06 FEB 90	
4 PLC ±	ANGLES: ±2°		

NAME: PLUG ASSEMBLY, SIZE 2, 15 POSITION, RIGHT ANGLE, FRONT METAL SHELL, .590 SERIES, BOARDLOCKS, AMPLIMITE® HD-20

SIZE: 114-40010 CAGE CODE: A1007799 DRAWING NO: 747828

MATERIAL: HOUSING: 1 SHELL: 2 CONTACTS: 3 FINISH: 4 CONTACTS: SEE TABLE SHELL: 5 HARDWARE: 6 INSERTS: CLEAR CHROMATE SCREWLOCKS: CLEAR CHROMATE

CUSTOMER DRAWING SCALE: 4:1 SHEET: 1 OF 1 REV: T