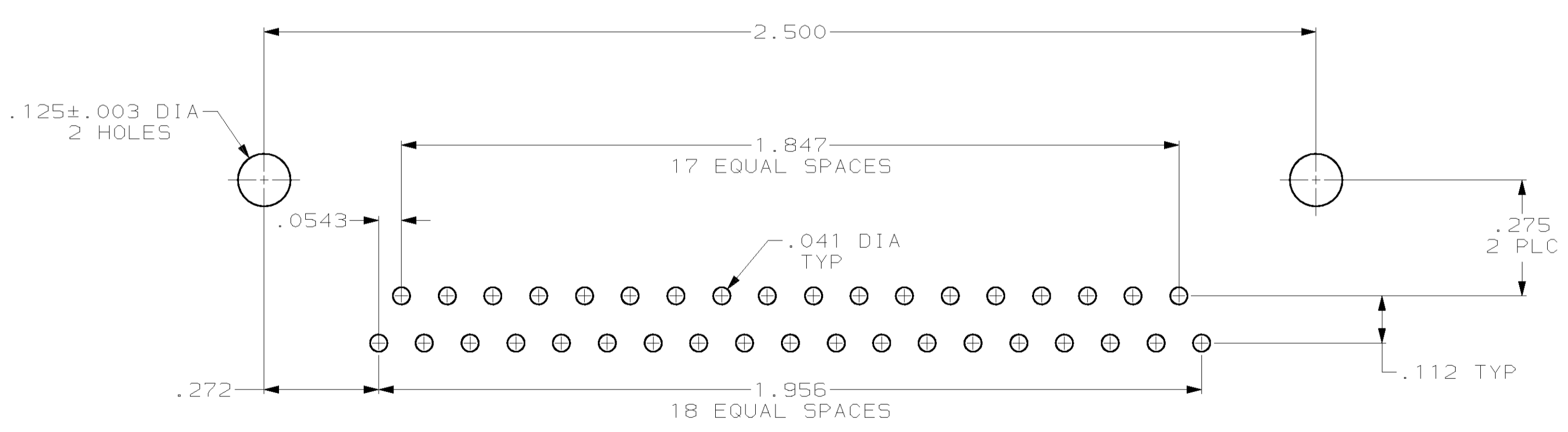
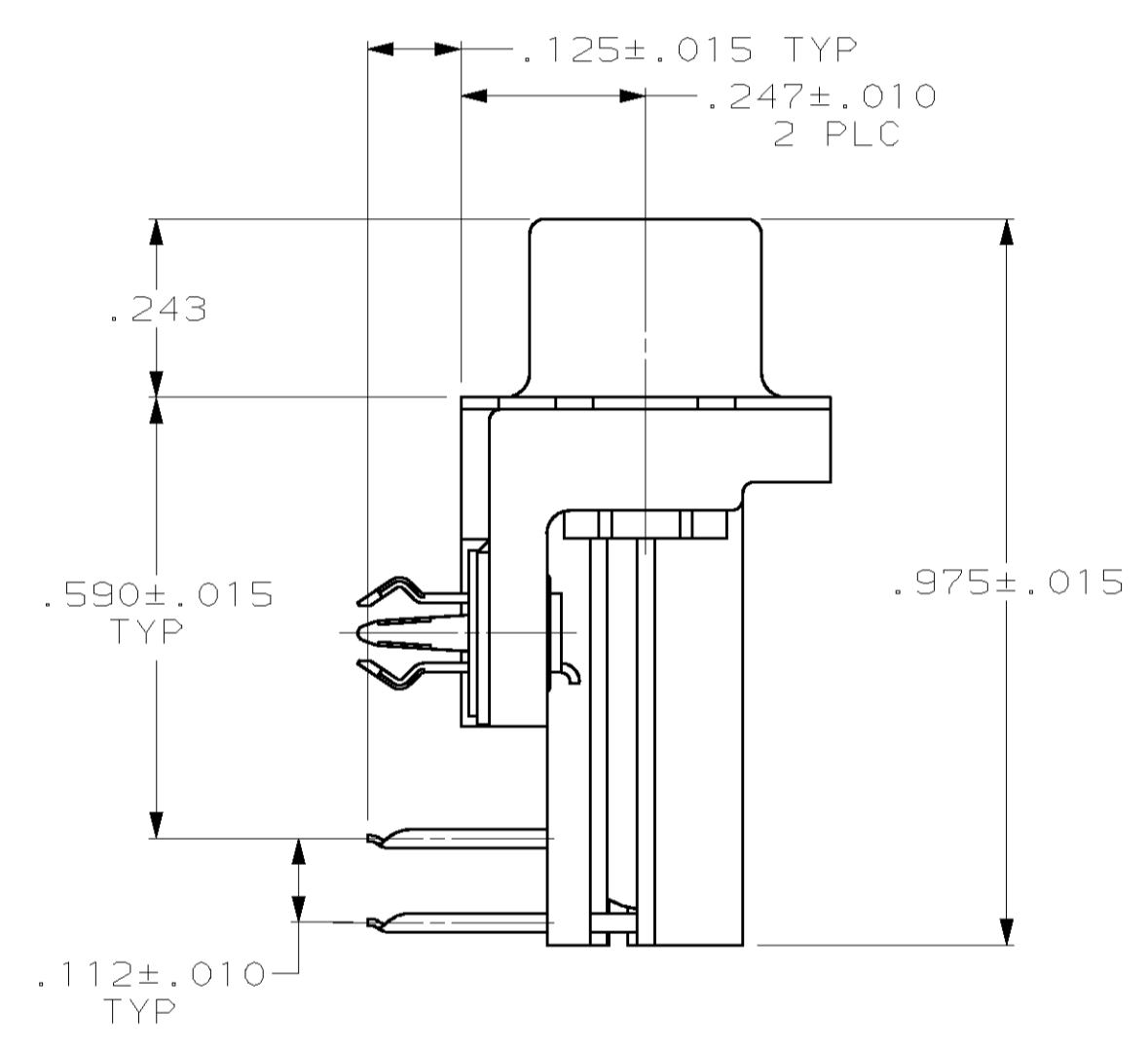
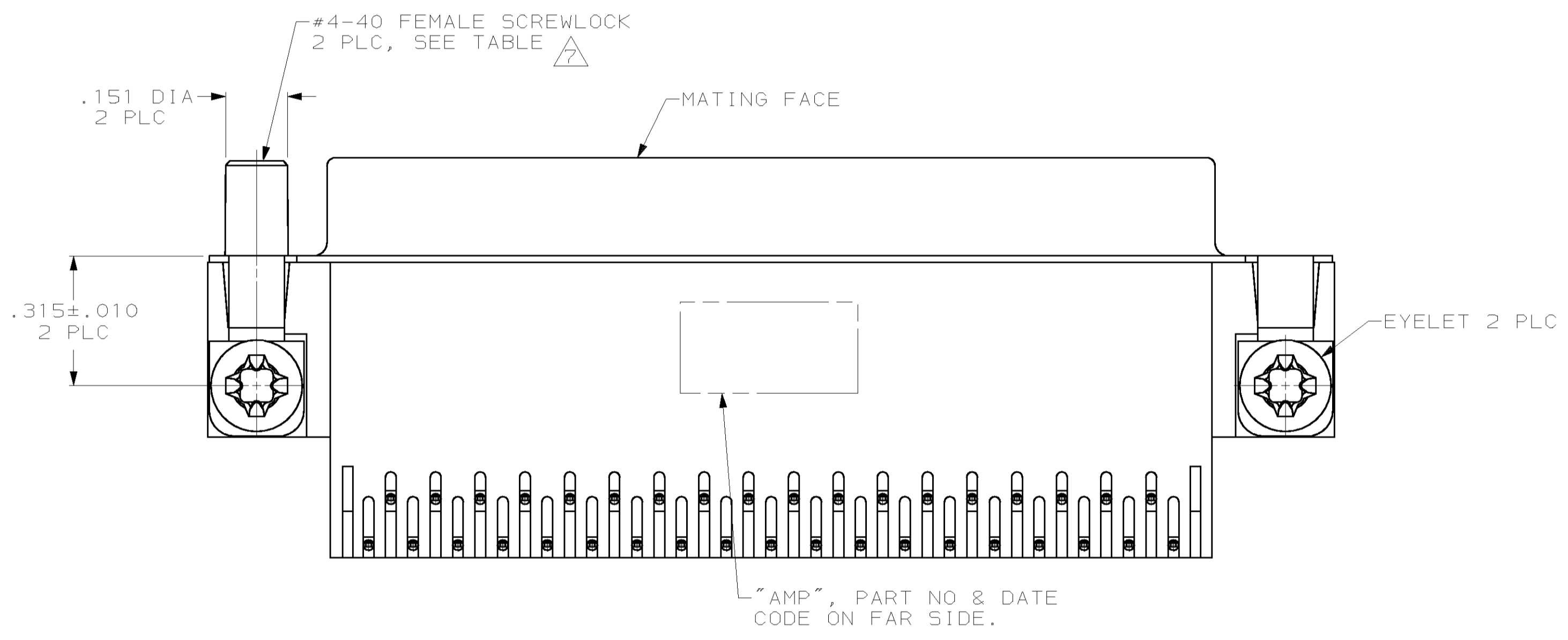
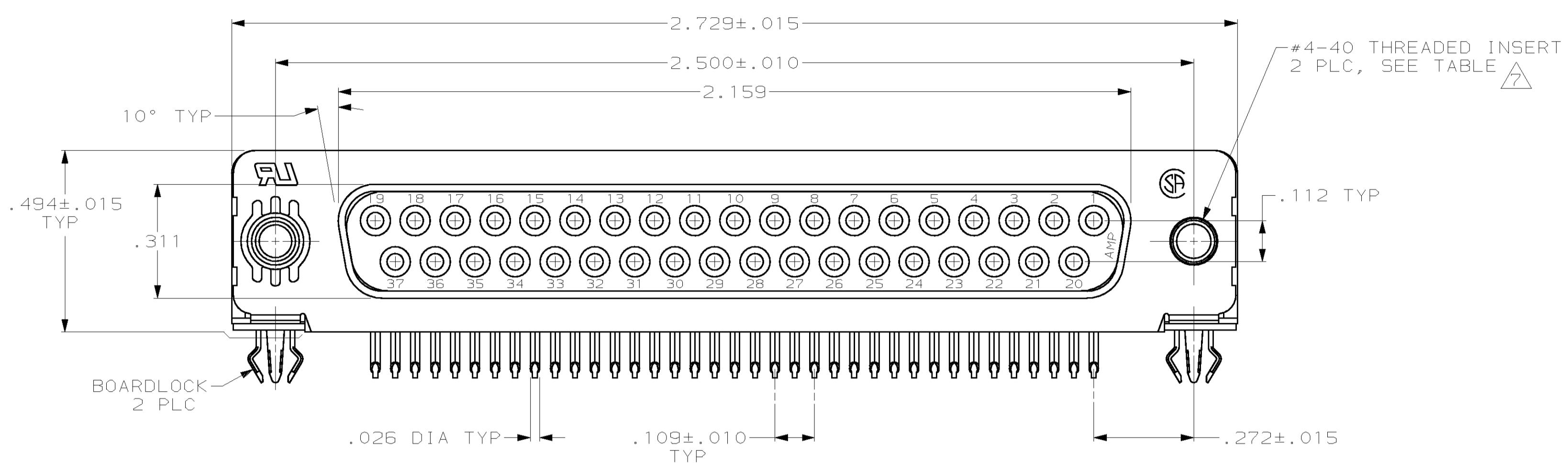


LOC	DIST	REV	DATE	BY	CHK	APVD
BD	77	T	15FEB00	DD	KB	
		U	08 MAY 00	DB	JK	

- CONNECTOR MATES WITH ANY 25 POSN PLUG IN AMPLIMITE™ SERIES.
- MOLDED PARTS: FLAME RETARDANT 94V-0 RATED THERMOPLASTIC, BLACK.
SHELL: STEEL PER ASTM A109
CONTACTS: PHOSPHOR BRONZE PER QQ-B-750
EYELETS: BRASS
SCREWLOCKS: ZINC
INSERTS: ZINC
BOARDLOCKS: COPPER ALLOY
- SHELL: .000100 MIN TIN OR TIN-LEAD
CONTACTS: SEE TABLE
EYELETS: TIN
SCREWLOCKS: CLEAR CHROMATE
BOARDLOCKS: TIN-LEAD
INSERTS: CLEAR CHROMATE
- GOLD PLATING PER MIL-G-45204, NICKEL PLATING PER QQ-N-290, TIN PLATING PER MIL-T-10727.
- GOLD FLASH FOR A DISTANCE OF .100 MIN FROM MATING END, .000100-.000200 BRIGHT TIN OR BRIGHT TIN-LEAD ON TERMINATION END, ALL OVER .000050 NICKEL ON ENTIRE CONTACT.
- .000030 GOLD FOR A DISTANCE OF .100 MIN FROM MATING END, .000100-.000200 BRIGHT TIN OR BRIGHT TIN-LEAD ON TERMINATION END, ALL OVER .000050 NICKEL ON ENTIRE CONTACT.
- SCREWLOCKS & INSERTS WILL WITHSTAND 4 IN-LBS TORQUE & 20 LBS PULL OUT FORCE FROM MATING FACE SIDE.



SUPSD BY	DESCRIPTION	REVISION	PART NUMBER
747839-4	FEMALE SCREWLOCKS	6	747839-6
OBSOLETE	FEMALE SCREWLOCKS	5	747839-5
	THREADED INSERTS	6	747839-4
SUPSD BY 747839-4	THREADED INSERTS	5	747839-3
OBSOLETE	.125 DIA HOLES	6	747839-2
OBSOLETE	.125 DIA HOLES	5	747839-1

MOUNTING HARDWARE		CONTACT FINISH	PART NUMBER
THIS DRAWING IS A CONTROLLED DOCUMENT.		AMP	AMP Incorporated Harrisburg, PA 17105-3608
DIMENSIONS INCHES	TOLERANCES UNLESS OTHERWISE SPECIFIED	NAME	RECEPTACLE ASSEMBLY, SIZE 4, 37 POSITION, RIGHT ANGLE, FRONT METAL SHELL, .590 SERIES, .026 DIA POSTS, BOARDLOCKS, AMPLIMITE™ HD-20
0 PLC ±.005	1 PLC ±.005	APVD	108-40025
2 PLC ±.005	3 PLC ±.005	SIZE	114-40010
4 PLC ±.005	5 PLC ±.005	WEIGHT	A1 00779
6 PLC ±.005	7 PLC ±.005	CUSTOMER DRAWING	SCALE 4:1 SHEET 1 OF 1 REV U