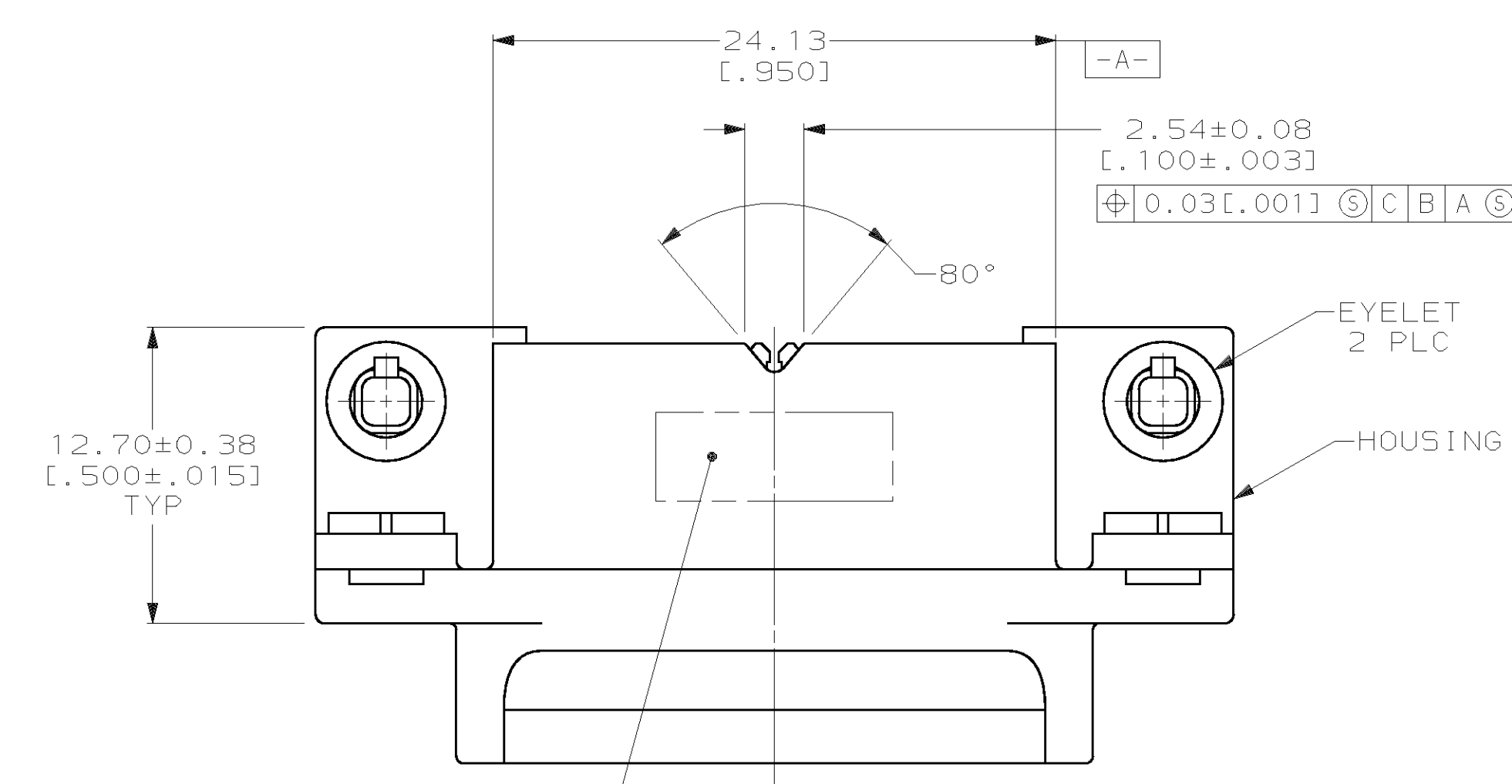
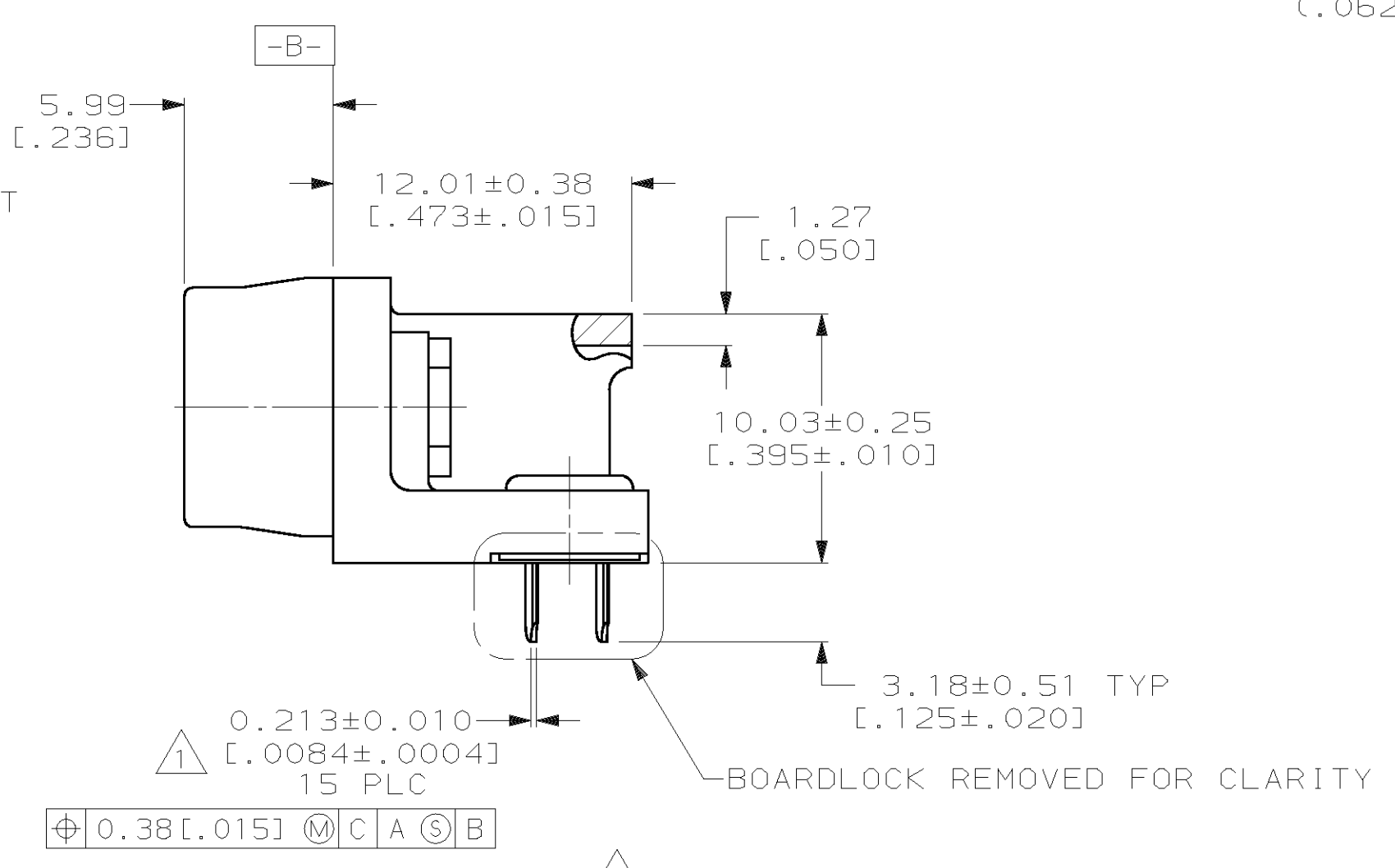
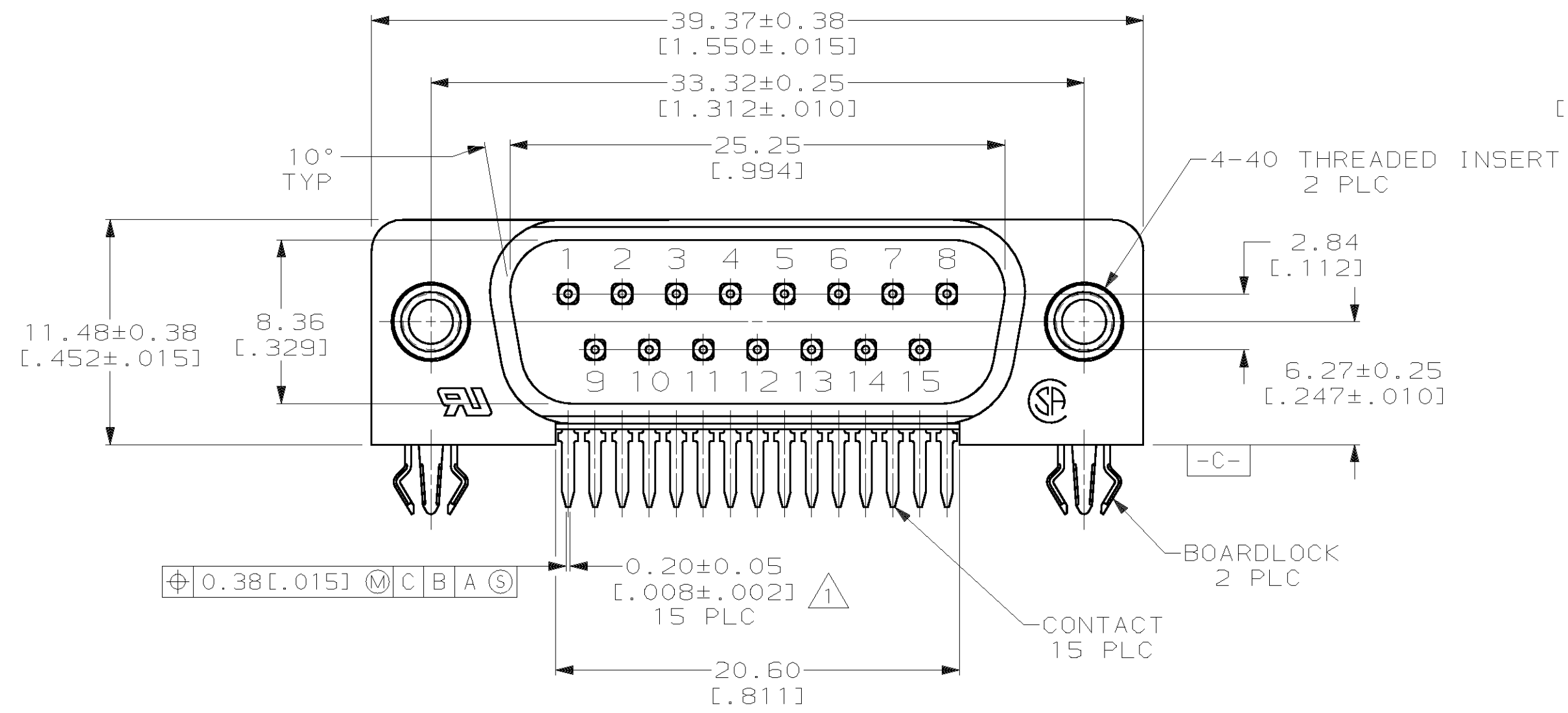


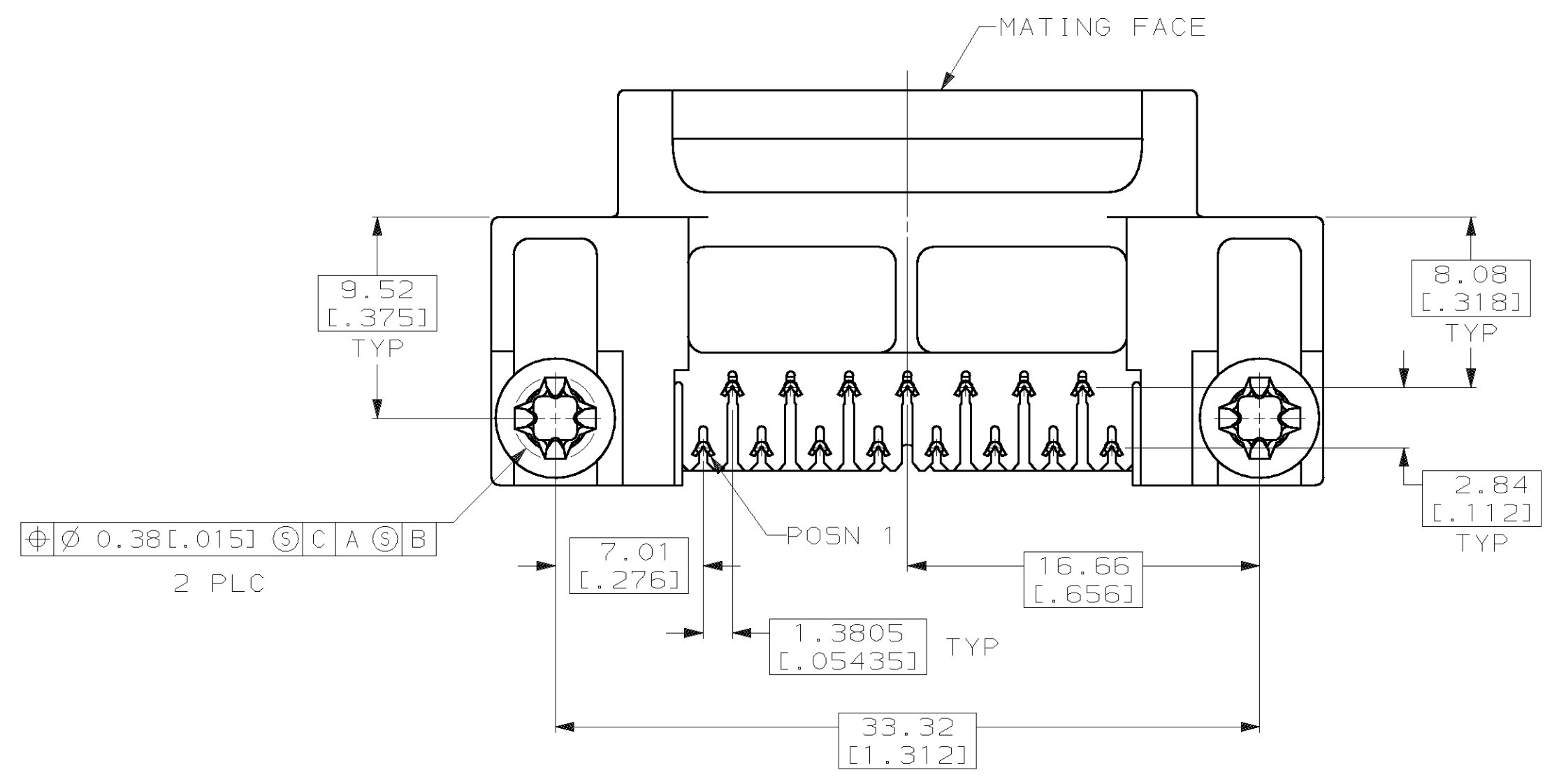
REVISONS		DATE	APPD
D	REV PER ECN BD4960	6-20-91	CR
E	SUPERSEDED -1, -2 & -3 PER ECN BD6411	03/31/93	CR
F	REACTIVATED -1 PER ECN020-1135-93	09/07/93	SB
G	REV PER EC 0020-1053-95	05 JAN 96	RLT
H	REV PER EC 0640-435-98	18 MAR 99	RT



AMP, PART NO & DATE CODE,
 MARKED IN AREA INDICATED



PC BOARD MOUNTING DIMENSIONS
 (.062 PC BOARD THICKNESS)



- 1 POSITION TOLERANCE APPLIES AT TIP ONLY.
- 2 NYLON OR POLYESTER, UL94V-0, BLACK.
- 3 BRASS PER MIL-C-50
- 4 EYELETS: BRASS; INSERTS: ZINC; BOARDLOCKS: COPPER ALLOY.
- 5 GOLD PLATING PER MIL-G-45204, NICKEL PLATING PER QQ-N-290, TIN PLATING PER MIL-T-10727.
- 6 EYELETS: 5.08 μm [.000200] MIN TIN OVER COPPER FLASH; BOARDLOCKS: 5.08 μm [.000200] MIN TIN-LEAD OVER 1.27 μm [.000050] MIN NICKEL.
- 7 GOLD PLATED FOR A LENGTH OF 3.81 [.150] MIN FROM MATING END, 0.76 μm [.000030] MIN GOLD IN MATED AREA. 3.05 μm [.000120] MIN TIN-LEAD FOR A LENGTH OF 3.68 [.145] MIN FROM OPPOSITE END, BOTH OVER 1.27 μm [.000050] MIN NICKEL.
- 8 GOLD FLASH FOR A LENGTH OF 3.81 [.150] MIN FROM MATING END, 3.05 μm [.000120] MIN TIN-LEAD FOR A LENGTH OF 3.68 [.145] MIN FROM OPPOSITE END, BOTH OVER 1.27 μm [.000050] MIN NICKEL.
- 9 0.25 μm [.000010] MIN GOLD FOR A LENGTH OF 3.81 [.150] MIN FROM MATING END, 3.05 μm [.000120] MIN TIN-LEAD FOR A LENGTH OF 3.68 [.145] MIN FROM OPPOSITE END, BOTH OVER 1.27 μm [.000050] MIN NICKEL.

SUPERSEDED BY 748880-3	748904-3
SUPERSEDED BY 748880-2	748904-2
-	748904-1

DO NOT SCALE PRINT. UNLESS SPECIFIED DIMENSIONS IN mm [INCHES] TOLERANCES ON: 2 PLC DEC ± 0.13 [.005] 3 PLC DEC ± - ANGLES ± 2°	DR 08/03/89 S.WELDON CHK 8/29/89 R.STONE APPD 9/18/89 W.SWAIN APPD 9/18/89 C.RHODE	NAME PLUG ASSEMBLY, SIZE 2, 15 POSN, ALL PLASTIC, RIGHT ANGLE, .318 SERIES, AMPLIMITE® III
MATERIAL HOUSING: 2 CONTACTS: 3 HARDWARE: 4	PRODUCT SPEC 108-1226	SIZE D
FINISH 5 HARDWARE: 6 CONTACTS: SEE TABLE INSERTS: CLEAR CHROMATE	APPLICATION SPEC 114-40027	CAGE CODE 00779
	WEIGHT -	DRAWING NO 748904
		SCALE 4:1
		SHEET 1 OF 1