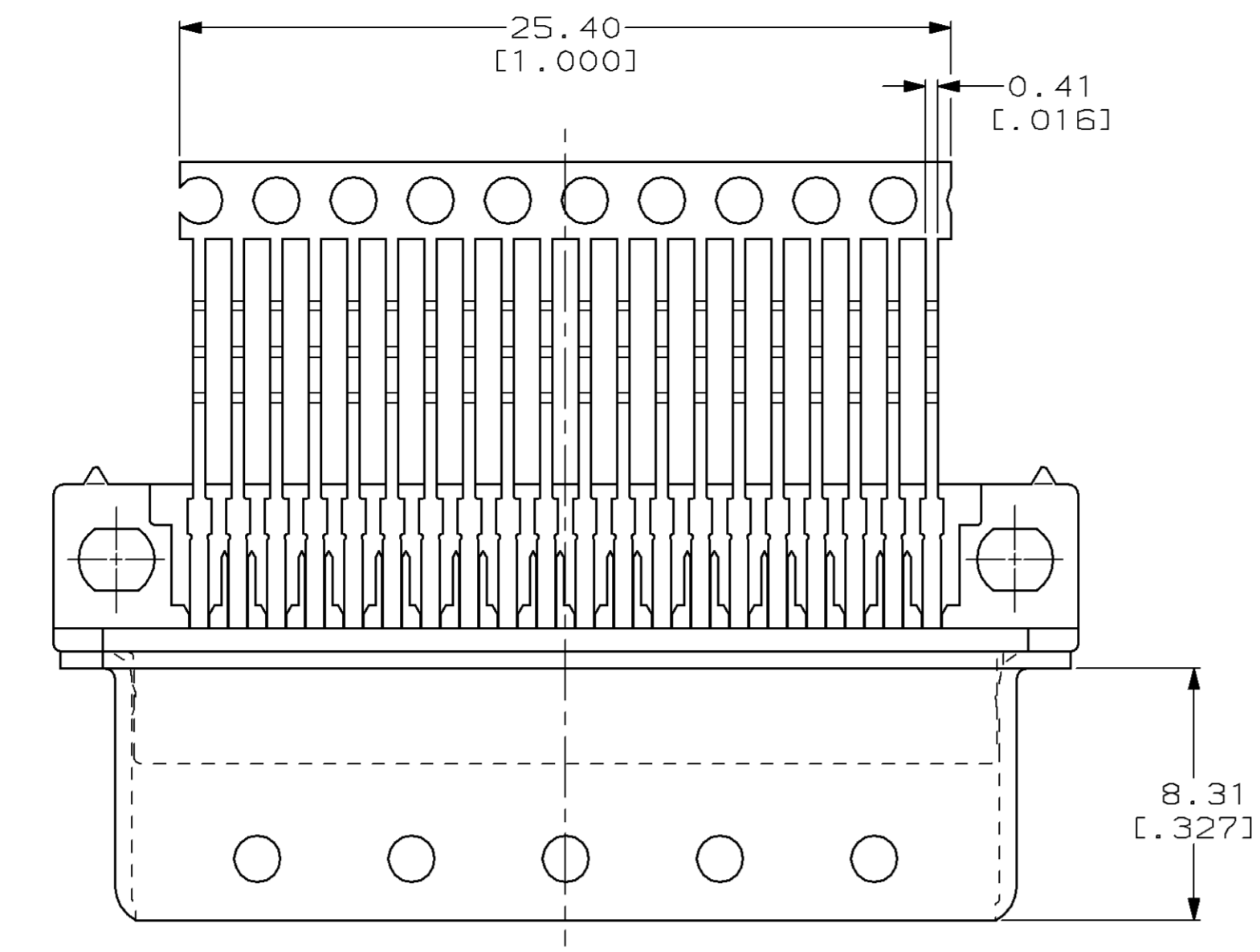
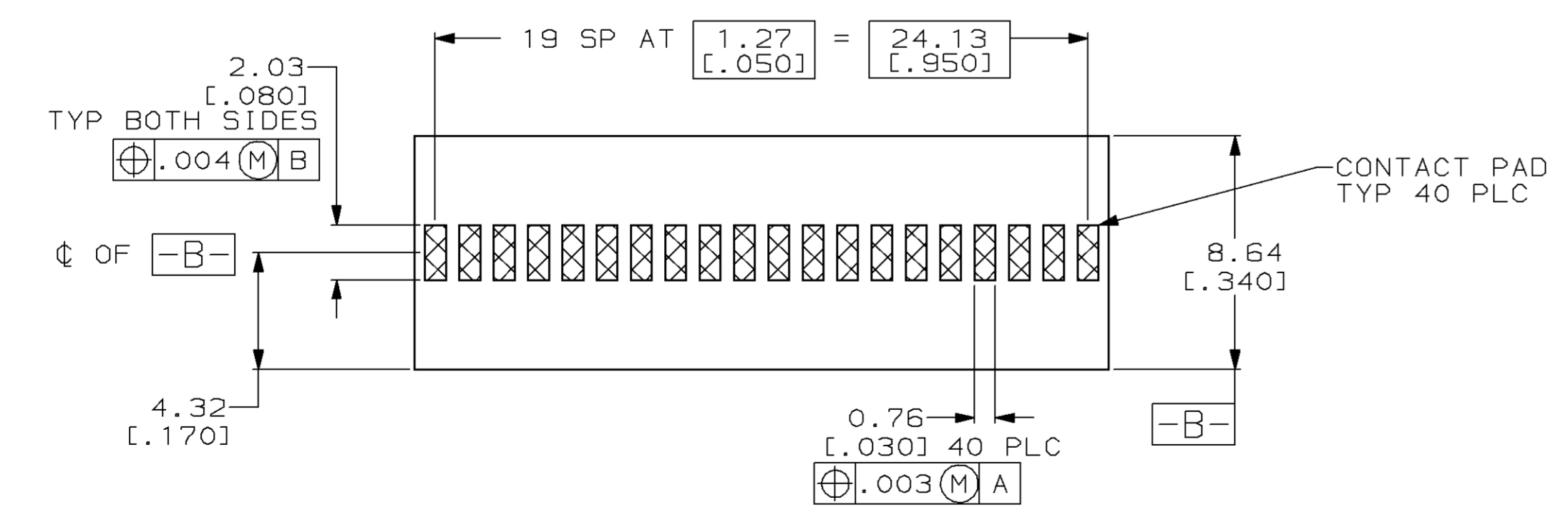
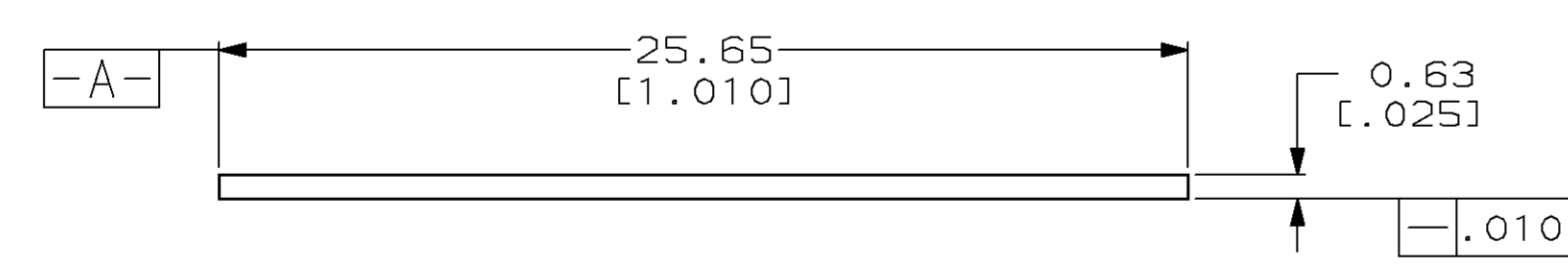
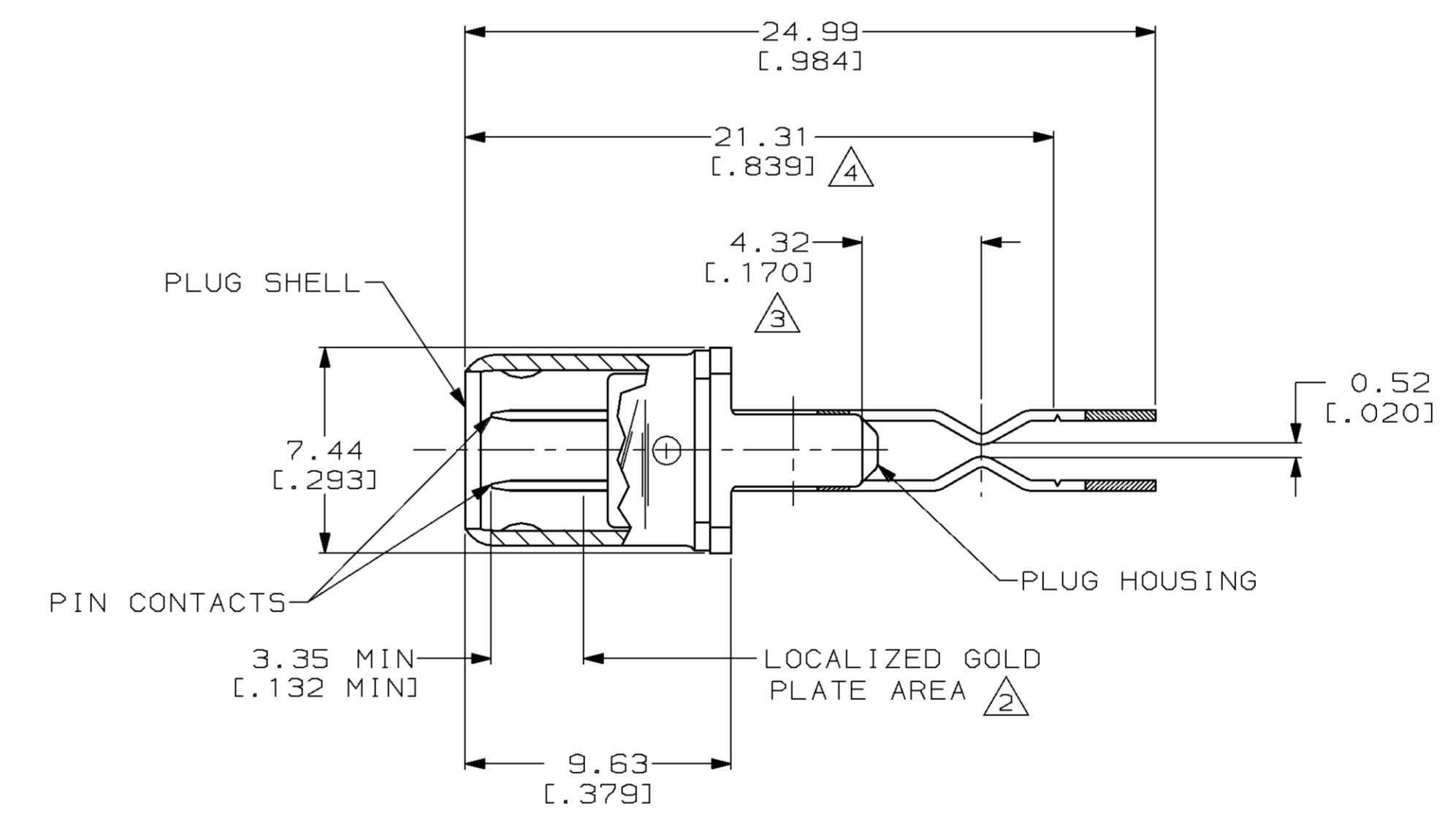
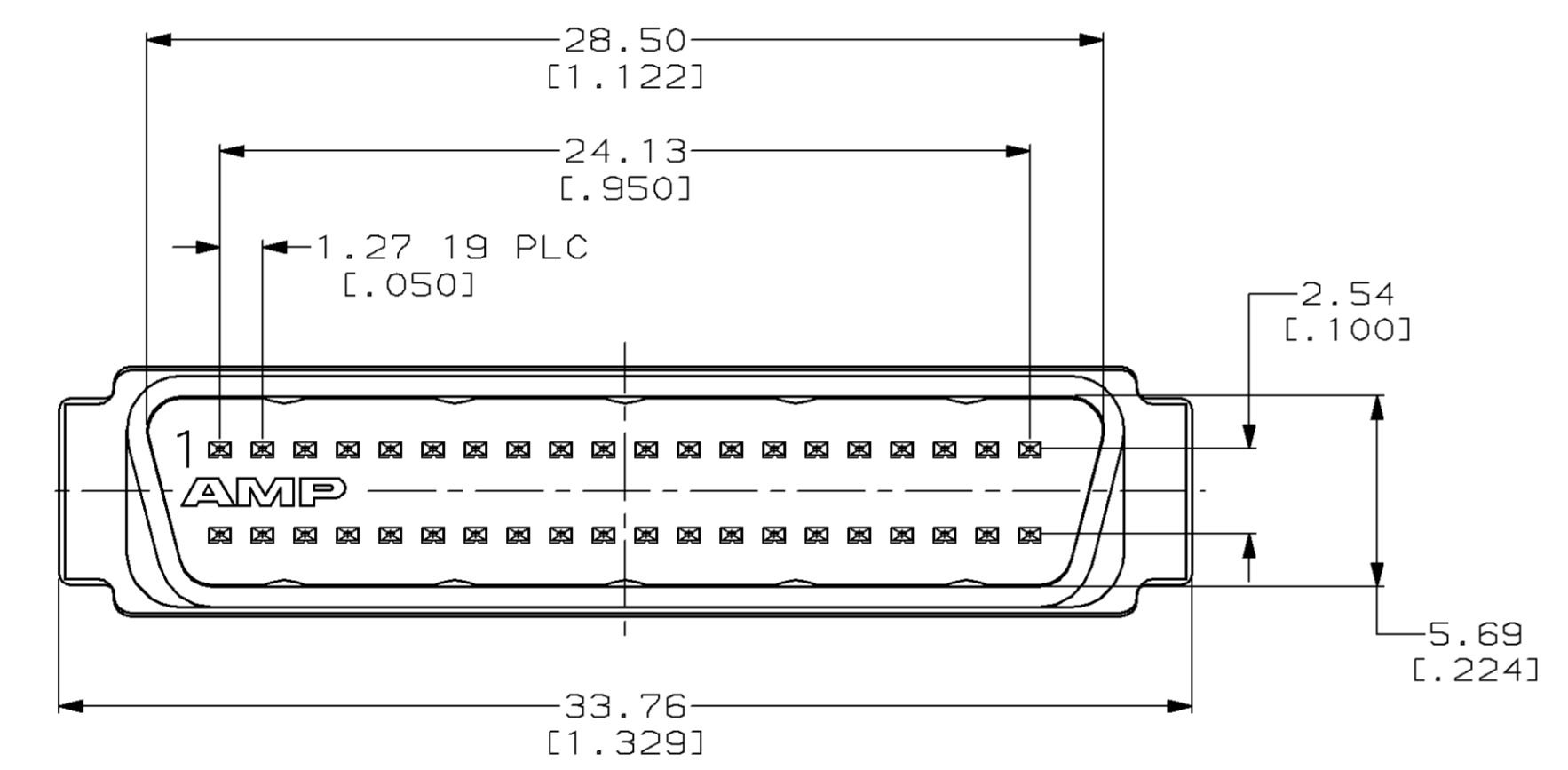


MOD		LOC	Q1ST	P	F	ZONE	LTR	DESCRIPTION	DATE	APPD
1	1	BD	62					0 RLSE PER NPR 2654	01/19/90	-
								A REV PER EC 0020-319-93	03/15/93	MP
								B REV PER EC 0020-1461-93	02/07/94	MP



- ① MATERIAL:
 PIN CONTACTS- PHOSPHOR BRONZE.
 PLUG SHELL- STEEL.
 PLUG HOUSING- UL V-0 RATED THERMOPLASTIC, COLOR: BLACK.
- ② PLATING:
 PIN CONTACTS- 0.00076 [0.000030] MINIMUM GOLD PLATE IN LOCALIZED GOLD PLATE AREA, OVER 0.00127 [0.000050] MINIMUM NICKEL.
 PLUG SHELL- 0.00508 [0.000200] MINIMUM BRIGHT TIN PLATE OVER 0.00127 [0.000050] MINIMUM COPPER.
- ③ DIMENSION IS FROM REAR OF HOUSING TO ϕ OF BEND.
- ④ LENGTH OF ASSEMBLY AFTER REAR CARRIER IS REMOVED.



P.C. BOARD LAYOUT

DO NOT SCALE PRINT. UNLESS SPECIFIED DIMENSIONS IN mm [INCHES] TOLERANCES ON:		DR 01/19/90 S.G. SMITH	749556-1 PART NO	
1 2 3 4	PLC DEC ± - ± - ± -	CHK 01/19/90 K. ULERY	AMP INCORPORATED Harrisburg, Pa. 17105	
MATERIAL	- ①	APPD 2/7/90 B.H. MOSSER	NAME PLUG SUBASSEMBLY, 40 POSITION, TERMINATION CONNECTOR, AMPLIMITE .050 Series	
FINISH	- ②	APPD 01/19/90 E.C. MYERS	SIZE D	CAGE CODE 00779
		PRODUCT SPEC	DRAWING NO 749556	SCALE 5:1
		APPLICATION SPEC	WEIGHT	SHEET 1 OF 1